

# PRODUCT INFORMATION PACKET

Model No: 254TTFNA7210  
Catalog No: Y383  
10,1800/900,TEFC,254T,3/60/460  
Other Purpose



Regal and Marathon are trademarks of Regal Beloit Corporation or one of its affiliated companies.  
©2018 Regal Beloit Corporation, All Rights Reserved. MC017097E





### Nameplate Specifications

Output HP	<b>10,2.5 Hp</b>	Output KW	<b>7.5 kW</b>
Frequency	<b>60 Hz</b>	Voltage	<b>460 V</b>
Current	<b>12,4 A</b>	Speed	<b>1775,882 rpm</b>
Service Factor	<b>1.15</b>	Phase	<b>3</b>
Efficiency	<b>90.2 %</b>	Duty	<b>CONTINUOUS</b>
Insulation Class	<b>F</b>	Design Code	<b>1VT</b>
KVA Code	<b>J</b>	Frame	<b>254T</b>
Enclosure	<b>TEFC</b>	Overload Protector	<b>NOT</b>
Ambient Temperature	<b>40 °C</b>	Drive End Bearing Size	<b>6309</b>
Opp Drive End Bearing Size	<b>6210</b>	UL	<b>Recognized</b>
CSA	<b>Y</b>	CE	<b>Y</b>
IP Code	<b>55</b>		

### Technical Specifications

Electrical Type	<b>SQ CAGE IND RUN</b>	Starting Method	<b>ACROSS THE LINE</b>
Poles	<b>4/8</b>	Rotation	<b>REV</b>
Mounting	<b>RIGID</b>	Motor Orientation	<b>HORIZONTAL</b>
Drive End Bearing	<b>BALL</b>	Opp Drive End Bearing	<b>BALL</b>
Frame Material	<b>CAST IRON</b>	Shaft Type	<b>T</b>
Overall Length	<b>23.65 in</b>	Frame Length	<b>10.5 in</b>
Shaft Diameter	<b>1.63 in</b>	Shaft Extension	<b>4.2 in</b>
Assembly/Box Mounting	<b>F1/F2 CAPABLE</b>		
Outline Drawing	<b>B-SS203002-1050</b>	Connection Diagram	<b>A-EE7322</b>

This is an uncontrolled document once printed or downloaded and is subject to change without notice. Date Created: 04/05/2018

4

3

Uncontrolled Copy

2

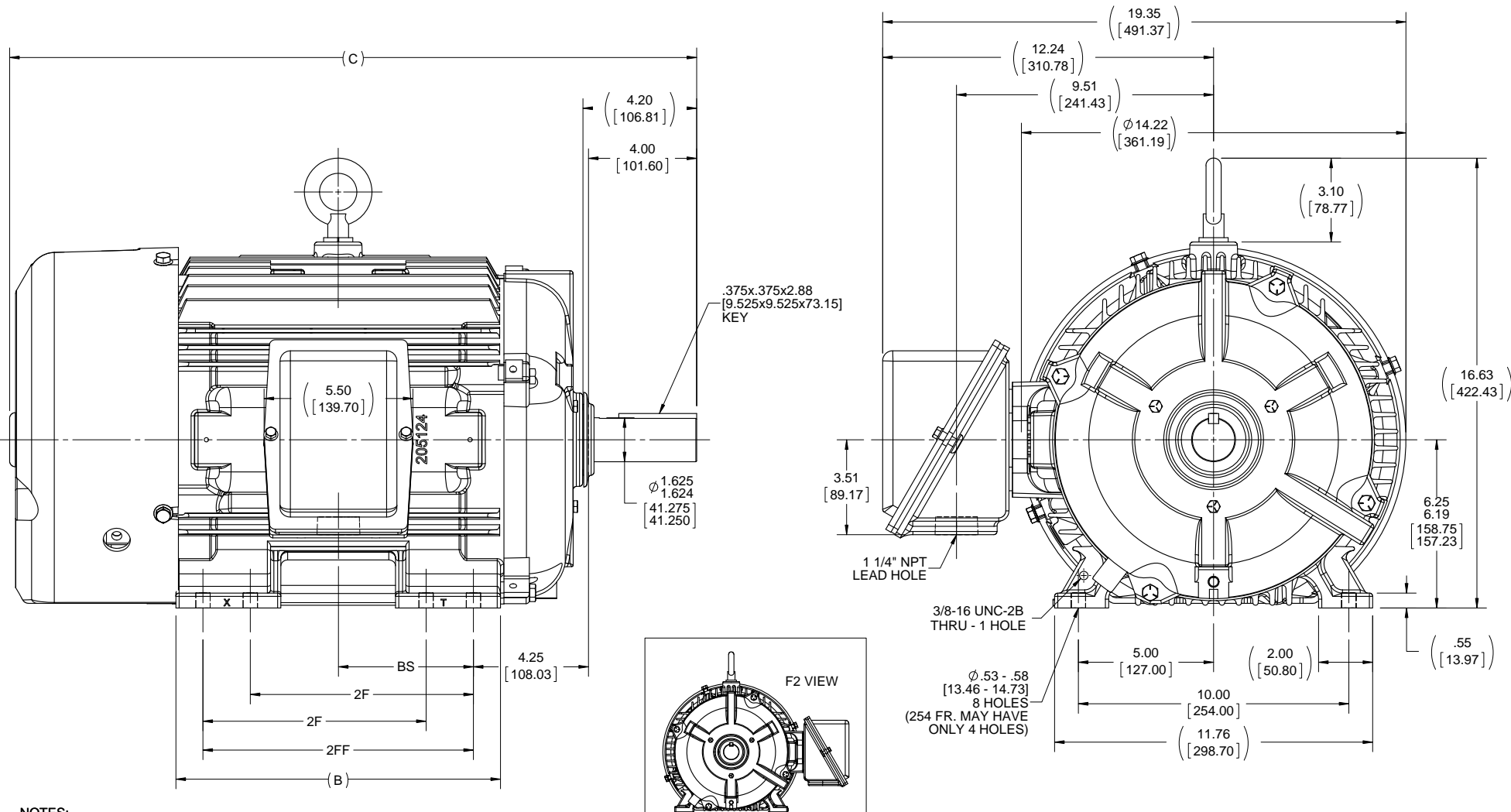
1

B

B

A

A



- NOTES:  
 1. CONDUIT BOX CAN BE ROTATED ON ITS AXIS.  
 2. CONDUIT BOX CAN BE MOUNTED ON OPPOSITE SIDE BY REMOVING BRACKETS AND TURNING FRAME 180°.  
 3. NAMEPLATE TO BE READ FROM CONDUIT BOX SIDE OF MOTOR.

DRAWING REVISION E	REVISION BY M GERTSCHEN	DATE 11-17-2016
ECO ECO-0112972	APPROVED BY T VUE	DATE 11-17-2016

ECO DESCRIPTION  
 UPDATED TO CURRENT STANDARDS  
 COPYRIGHT REGAL BELOIT AMERICA, INC. ALL RIGHTS RESERVED.  
 PROPRIETARY AND CONFIDENTIAL INFORMATION - THIS DOCUMENT IS THE PROPERTY OF REGAL BELOIT AMERICA, INC. (OWNER) AND CONTAINS OWNER'S PROPRIETARY INFORMATION. ANY PERSON, CORPORATION OR OTHER FIRM RECEIVING IT IS DEEMED, BY RECEIVING IT, TO AGREE THAT IT, AND/OR ANY PART OF IT, SHALL NOT BE DISCLOSED TO ANY PERSON, CORPORATION OR OTHER ENTITY, DUPLICATED, AND/OR USED, EXCEPT AS EXPRESSLY APPROVED IN WRITING IN ADVANCE BY OWNER. THIS DOCUMENT SHALL BE RETURNED TO OWNER UPON REQUEST. IT MAY BE SUBJECT TO CERTAIN RESTRICTIONS UNDER APPLICABLE EXPORT CONTROL LAWS AND REGULATIONS.

TOLERANCES UNLESS OTHERWISE SPECIFIED:  
 DEC. INCH mm ANGLE  
 .X -.01 [+2.5] ±7°-30'  
 .XX ±0.03 [+0.76]  
 .XXX ±0.005 [+0.127]  
 .XXXX ±0.0005 [+0.0127]  
 REMOVE BURRS & BREAK SHARP EDGES: .003/.015 [.076/.381] X 45°  
 CORNER FILLETS: R.02 [.51]  
 MACHINED SURFACES: 200 5.1  
 INCH/mm  
 mm SHOWN IN [BRACKETS]

DRAWN BY TVUE	DATE 12-18-2013
APPROVED BY TBROWN	DATE 12-18-2013
REFERENCE	THIRD ANGLE PROJECTION

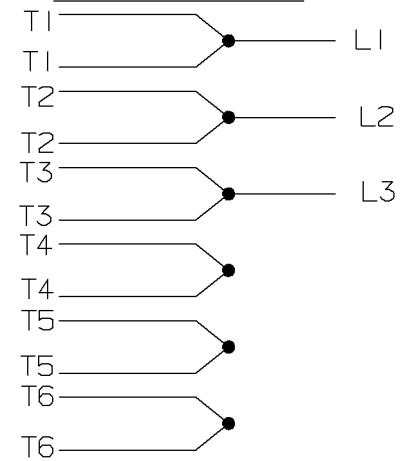
<b>REGAL</b> ™ Regal Beloit America, Inc.	
<b>OUTLINE</b> 250T FR. - TEFC - BB - STD.	
MATERIAL	PROCESS/FINISH
SIZE B	DRAWING NUMBER SS203002
	SHEET 1 OF 1

1050	254T	23.65 [600.71]	10.25 [260.35]	---	8.25 [209.55]	4.25 [107.95]
1225	254/256T	25.40 [645.16]	12.00 [304.80]	8.25 [209.55]	10.00 [254.00]	5.00 [127.00]
DASH	FRAME	C	B	2F	2FF	BS

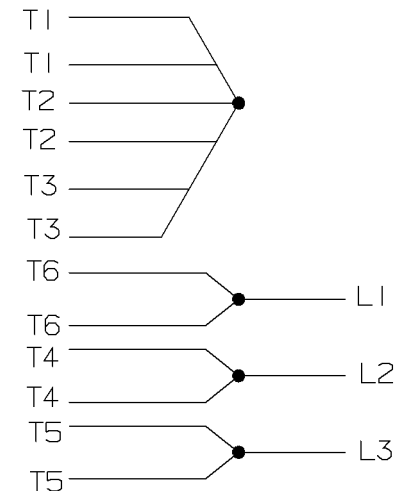
A- EE7322

FOR DUAL LEADS

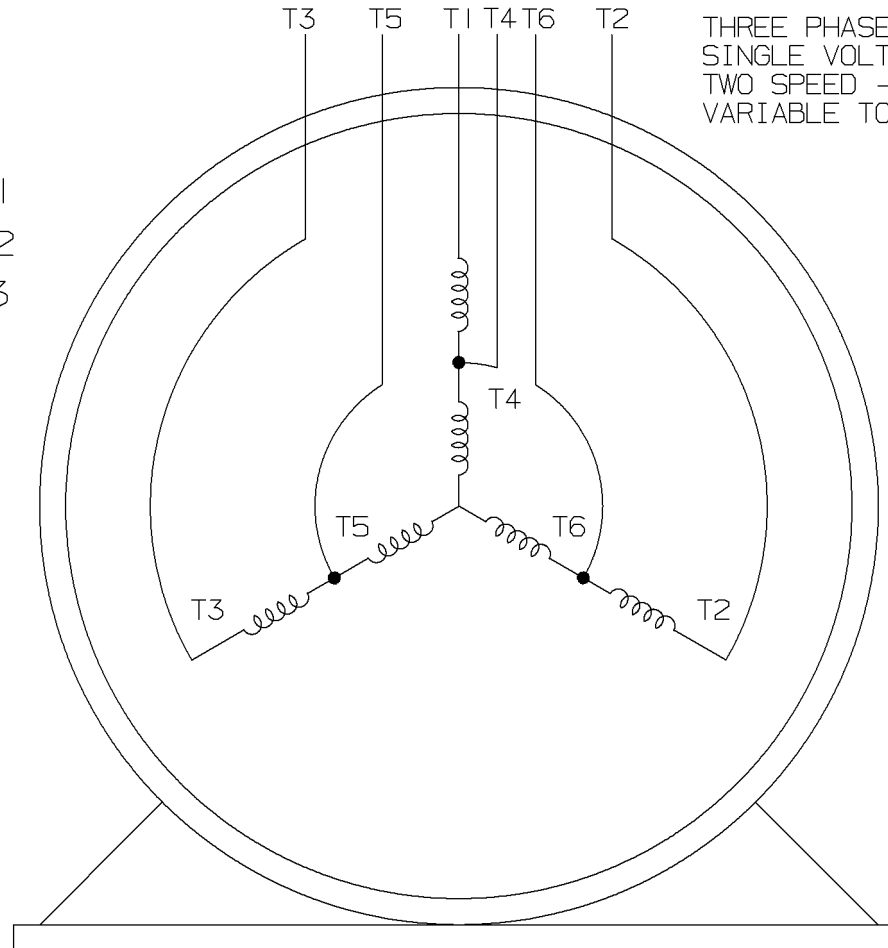
LOW SPEED



HIGH SPEED

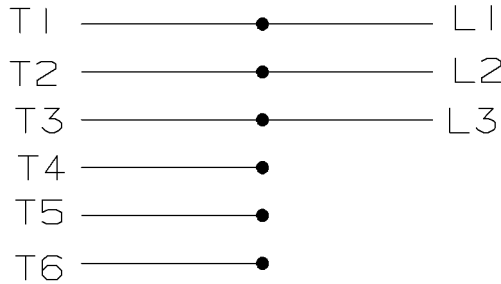


THREE PHASE MOTOR  
SINGLE VOLTAGE  
TWO SPEED - SGL. WDG.  
VARIABLE TORQUE

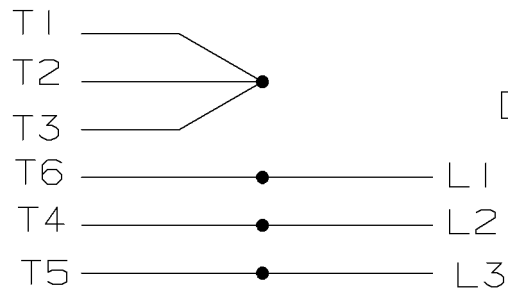


VIEW OF TERMINAL END

LOW SPEED



HIGH SPEED



T612C

T48B

				✓ MAX. SURFACE ROUGHNESS UNLESS NOTED OTHERWISE	UNLESS OTHERWISE SPECIFIED DIMENSIONS ARE IN INCHES TOL. ON XX± XXX±.005 XXXX±.0005 ANGLES±		
				MATL SPEC		DRAWN BY PGK	12-26-1996
				FINISH			
7	01-08-1997	REDRAWN ON CADD	PGK	REFERENCE DRW.	WAUSAU, WISCONSIN 54401	CHKD BY ML	01-07-1997
		CN 24000-27		PART NAME CONNECTION DIAGRAM		APPD BY TB	01-07-1997
REV	DATE	CHANGE	NAME	3Ø - SINGLE VOLTAGE - 2 SPEED			DRWG NO A-EE7322

SHOP BOOK

PURCHASED

DISTRIBUTION - WA - LB - WP - LM - BR

CADD FILE NO.

EE7322

**CERTIFICATION DATA SHEET**

**Model#:** 254TTFNA7210 AB      **WINDING#:** 254(4-8)45 NONE 7  
**CONN. DIAGRAM:** A-EE7322      **ASSEMBLY:** F1/F2 CAPABLE  
**OUTLINE:** B-SS203002-1050

**TYPICAL MOTOR PERFORMANCE DATA**

HP	KW	SYNC. RPM	F.L. RPM	FRAME	ENCLOSURE	KVA CODE	DESIGN
10&2 1/2	7.5&1.87	900	1775&882	254T	TEFC	J	1VT

PH	Hz	VOLTS	FL AMPS	START TYPE	DUTY	INSL	S.F	AMB°C	ELEVATION
3	60/60	460	12&4	ACROSS THE LINE	CONTINUOUS	F3	1.15/1.15	40	3300

FULL LOAD EFF:	3/4 LOAD EFF:	1/2 LOAD EFF:	GTD. EFF	ELEC. TYPE	NO LOAD AMPS
90.2&86.5	85.5	82.5			
FULL LOAD PF:	3/4 LOAD PF:	1/2 LOAD PF:			
88&67.5	60.5	49	83.8	SQ CAGE IND RUN	2.4

F.L. TORQUE	LOCKED ROTOR AMPS	L.R. TORQUE	B.D. TORQUE	F.L. RISE°C
15 LB-FT	17.5	23 LB-FT 153	37.5 LB-FT 250	45

SOUND PRESSURE @ 3 FT.	SOUND POWER	ROTOR WK^2	MAX. WK^2	SAFE STALL TIME	STARTS /HOUR	APPROX. MOTOR WGT
54 dBA	64 dBA	2.5 LB-FT^2	- LB-FT^2	- SEC.	-	350 LBS.

**\*\*\* SUPPLEMENTAL INFORMATION \*\*\***

DE BRACKET TYPE	ODE BRACKET TYPE	MOUNT TYPE	ORIENTATION	SEVERE DUTY	HAZARDOUS LOCATION	DRIP COVER	SCREENS	PAINT
STANDARD	STANDARD	RIGID	HORIZONTAL	PREMIUM SEVERE DUTY	NONE	FALSE	NONE	BLUE (EPOXY)

BEARINGS		GREASE	SHAFT TYPE	SPECIAL DE	SPECIAL ODE	SHAFT MATERIAL	FRAME MATERIAL
DE	OPE						
BALL	BALL	POLYREX EM	T	NONE	NONE	1045 HOT ROLLED (C-204)	CAST IRON
6309	6210						

THERMO-PROTECTORS				THERMISTORS	CONTROL	SPACE /n HEATERS
THERMOSTATS	PROTECTORS	WDG RTDs	BRG RTDs			
NONE	NOT	NONE	NONE	NONE	FALSE	NONE VOLTS

If Inverter equals NONE, contact factory for further information

INVERTER TORQUE: NONE
INV. HP SPEED RANGE: NONE
ENCODER: NONE
NONE NONE
NONE NONE PPR
BRAKE: NONE NONE
NONE P/N NONE
NONE NONE
- FT-LB NONE V NONE Hz

\*  
N  
O  
T  
E  
S  
\*

DATE: 06/23/2017 04:31:47 AM  
 FORM 3531 REV.3 02/07/99

\*\* Subject to change without notice.