

PRODUCT INFORMATION PACKET

Model No: 365THFCD9036

Catalog No: W594A

75 HP, Severe Duty Motors, 3 phase, 1800 RPM, 460 V, 365T Frame, TEFC

Other Severe Duty Motors





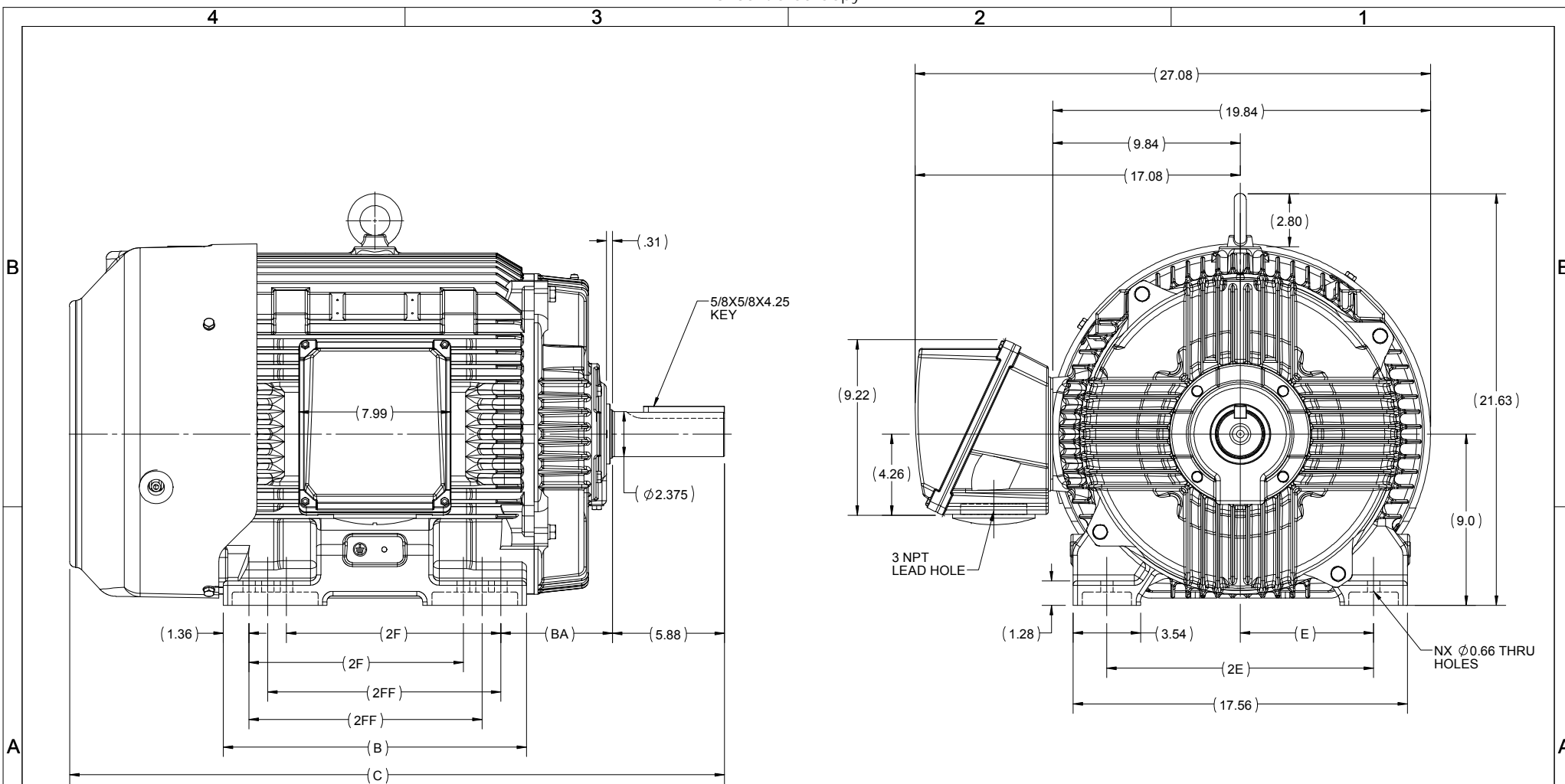
Nameplate Specifications

Output HP	75 Hp	Output KW	56.0 kW
Frequency	60 Hz	Voltage	460 V
Current	85.5 A	Speed	1782 rpm
Service Factor	1.15	Phase	3
Efficiency	95.4 %	Power Factor	86
Duty	Continuous	Insulation Class	H
Design Code	B	KVA Code	G
Frame	365T	Enclosure	Totally Enclosed Fan Cooled
Thermal Protection	No	Ambient Temperature	40 °C
Drive End Bearing Size	6313	Opp Drive End Bearing Size	6213
UL	Listed	CSA	Y
CE	Y	IP Code	56
Hazardous Location	DIVISION 2 T2B		

Technical Specifications


Electrical Type	Squirrel Cage Inverter Rated	Starting Method	Line Or Inverter
Poles	4	Rotation	Selective Clockwise
Resistance Main	.072 Ohms	Mounting	Rigid Base
Motor Orientation	Horizontal	Drive End Bearing	Ball
Opp Drive End Bearing	Ball	Frame Material	Cast Iron
Shaft Type	T	Shaft Diameter	2.375 in
Assembly/Box Mounting	F1/F2 CAPABLE		
Connection Drawing	EE7300U	Outline Drawing	SS557662-365T

This is an uncontrolled document once printed or downloaded and is subject to change without notice. Date Created:08/07/2020



364/365T	15.94	34.40	12.25	11.25	5.88	7.00	14.00	12	F1 OR F2
364T	14.96	33.42	11.25	-				8	F1 OR F2
FRAME	B	C	2FF	2F	BA	E	2E	N	MOUNTING

DRAWING REVISION B	REVISION BY BISWA	DATE 25/01/2018
ECO ECO-0160791	APPROVED BY SBD	DATE 25/01/2018
ECO DESCRIPTION DRAWING UPDATED		
<small>COPYRIGHT REGAL BELOIT AMERICA, INC. ALL RIGHTS RESERVED. PROPRIETARY AND CONFIDENTIAL INFORMATION - THIS DOCUMENT IS THE PROPERTY OF REGAL BELOIT AMERICA, INC. ("OWNER") AND CONTAINS OWNER'S PROPRIETARY INFORMATION. ANY PERSON, CORPORATION OR OTHER FIRM RECEIVING IT IS DEEMED, BY RECEIVING IT, TO AGREE THAT IT, AND/OR ANY PART OF IT, SHALL NOT BE DISCLOSED TO ANY PERSON, CORPORATION OR OTHER ENTITY, DUPLICATED, AND/OR USED, EXCEPT AS EXPRESSLY APPROVED IN WRITING IN ADVANCE BY OWNER. THIS DOCUMENT SHALL BE RETURNED TO OWNER UPON REQUEST. IT MAY BE SUBJECT TO CERTAIN RESTRICTIONS UNDER APPLICABLE EXPORT CONTROL LAWS AND REGULATIONS.</small>		

DRAWN BY BISWA	 Regal Beloit America, Inc.
DATE 01/10/2018	
APPROVED BY SBD	DESCRIPTION OUTLINE 364/365T FR-NEMA-SD & IEEEE841
DATE 01/10/2018	MATERIAL
REFERENCE	PROCESS/FINISH
THIRD ANGLE PROJECTION	SIZE B
	DRAWING NUMBER SS557662
	SHEET 1 OF 1

IF MOTOR HAS 9 LEADS

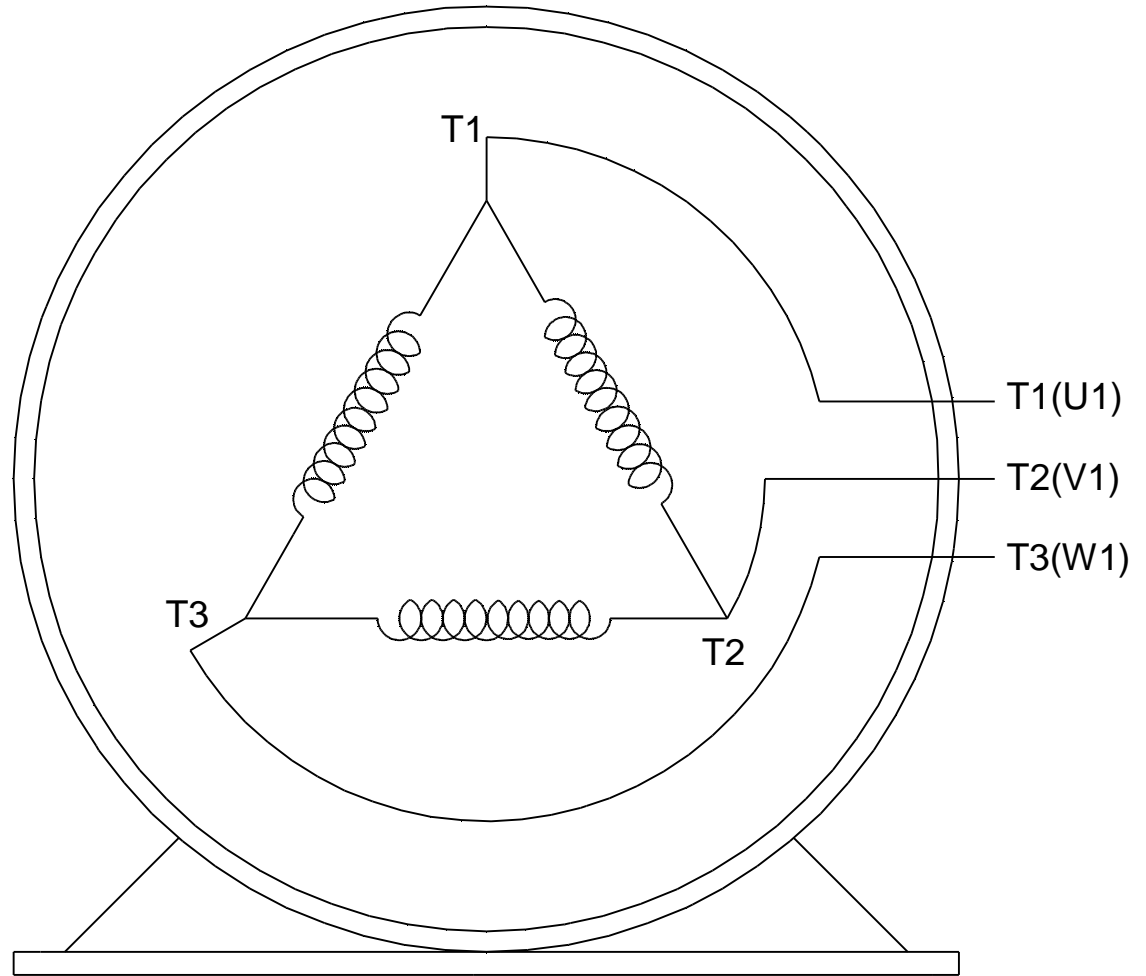


IF MOTOR HAS 6 LEADS



A-9806 DECAL IF CALLED FOR

IF MOTOR HAS 12 LEADS



VIEW OF TERMINAL END

DRAWING REVISION L	REVISION BY AJW	DATE 05-04-2015	TOLERANCES UNLESS OTHERWISE SPECIFIED:	DRAWN BY DRS	Regal Beloit America, Inc.																					
ECO ECO-0077067	APPROVED BY EWH	DATE 05-05-2015	<table style="font-size: small; border-collapse: collapse;"> <tr> <td><u>DEC.</u></td> <td><u>INCH</u></td> <td><u>mm</u></td> <td><u>ANGLE</u></td> </tr> <tr> <td>.X</td> <td>±0.1</td> <td>[±2.5]</td> <td>±7' 30"</td> </tr> <tr> <td>.XX</td> <td>±0.02</td> <td>[±0.51]</td> <td></td> </tr> <tr> <td>.XXX</td> <td>±0.005</td> <td>[±0.127]</td> <td></td> </tr> <tr> <td>.XXXX</td> <td>±0.0005</td> <td>[±0.0127]</td> <td></td> </tr> </table>	<u>DEC.</u>			<u>INCH</u>	<u>mm</u>	<u>ANGLE</u>	.X	±0.1	[±2.5]	±7' 30"	.XX	±0.02	[±0.51]		.XXX	±0.005	[±0.127]		.XXXX	±0.0005	[±0.0127]		DATE 09-27-1996
<u>DEC.</u>	<u>INCH</u>	<u>mm</u>	<u>ANGLE</u>																							
.X	±0.1	[±2.5]	±7' 30"																							
.XX	±0.02	[±0.51]																								
.XXX	±0.005	[±0.127]																								
.XXXX	±0.0005	[±0.0127]																								
ECO DESCRIPTION UPDATED TO SOLIDWORKS <small>COPYRIGHT REGAL BELOIT AMERICA, INC. ALL RIGHTS RESERVED. PROPRIETARY AND CONFIDENTIAL INFORMATION - THIS DOCUMENT IS THE PROPERTY OF REGAL BELOIT AMERICA, INC. ("OWNER") AND CONTAINS OWNER'S PROPRIETARY INFORMATION. ANY PERSON, CORPORATION OR OTHER FIRM RECEIVING IT IS DEEMED, BY RECEIVING IT, TO AGREE THAT IT, AND/OR ANY PART OF IT, SHALL NOT BE DISCLOSED TO ANY PERSON, CORPORATION OR OTHER ENTITY, DUPLICATED, AND/OR USED, EXCEPT AS EXPRESSLY APPROVED IN WRITING IN ADVANCE BY OWNER. THIS DOCUMENT SHALL BE RETURNED TO OWNER UPON REQUEST. IT MAY BE SUBJECT TO CERTAIN RESTRICTIONS UNDER APPLICABLE EXPORT CONTROL LAWS AND REGULATIONS.</small>			APPROVED BY GK	DATE 09-30-1996	MATERIAL	PROCESS/FINISH																				
			REMOVE BURRS & BREAK SHARP EDGES: .003/.015 [.076/.381] X 45° CORNER FILLETS: R.02 [.51] MACHINED SURFACES: 200 $\sqrt{\text{INCH}}$ 5.1 $\sqrt{\text{mm}}$ mm SHOWN IN [BRACKETS]			REFERENCE	THIRD ANGLE PROJECTION	SIZE A	DRAWING NUMBER EE7300U	SHEET 1 OF 1																



DATA VOLTS: 460

CERTIFICATION DATA SHEET

CONN. DIAGRAM: EE7300U
 OUTLINE: SS57862-365T
 WINDING: HE32254009 NONE 1

REFERENCE MODEL #: 365THFCD9036
 CAT #: W594A

MOUNTING: F1/F2 CAPABLE

TYPICAL MOTOR PERFORMANCE DATA

HP	KW	SYNC RPM	FL RPM	FRAME	ENCLOSURE	TYPE	KVA CODE	DESIGN					
75	56	1800	1782	365T	TEFC	TFC	G	B					
PH	HZ	VOLTS	AMPS	START TYPE	DUTY	INSL	S.F.	AMB (°C)	ELEV.(FT)				
3	60	460	85.5	LINE OR INVERTER	CONT	H	1.15	40	3300				
F.L. EFF		95.4	3/4 LD EFF		95.4	1/2 LD EFF		95.0	GTD EFF		95.0	ELECT. TYPE	
F.L. PF		86.0	3/4 LD PF		83.5	1/2 LD PF		76.2			95.0	SQ CAGE INV RATED	
F.L. TORQUE		LR AMPS @ 460 V		L.R. TORQUE		B.D. TORQUE		F.L. RISE (°C)					
221	LB-FT	542	464	LB-FT	210%	586	LB-FT	265%	65				
SOUND PRESSURE @	SOUND	ROTOR WK ²	MAX. LOAD WK ²	SAFE STALL TIME	STARTS/HOUR	APROX.							
72	dB	81	dB	20.5	LB-FT ²	500	LB-FT ²	20	SEC.	2	988	LB.	
*** SUPPLEMENTAL INFORMATION ***													
DE BRACKET TYPE	ODE BRACKET TYPE	MOUNT TYPE	MOTOR ORIENTATION	SEVERE DUTY	HAZARDOUS LOCATION	DRIP COVER	SCREENS	PAINT					
STANDARD	STANDARD	RIGID	HORIZONTAL	PREMIUM SEVERE DUTY	DIVISION 2 T2B	NO	NONE	BLUE (EPOXY)					
BEARINGS		GREASE	SHAFT TYPE	SPECIAL DE	SPECIAL ODE	SHAFT	MATERIAL	FRAME MATERIAL					
DE	ODE												
BALL	BALL	POLYREX EM	T	NONE	NONE	1045	HOT ROLLED (C-204)	CAST IRON					
6313	6213												
THERMOSTATS	PROTECTORS	WDG RTD's	BRG RTD's	THERMISTORS	CONTROL	SPACE	HEATERS						
NONE	NOT	NONE	NONE	NONE	FALSE		NA						
R1 (ohms/ph)	R2 (ohms/ph)	X1 (ohms/ph)	X2 (ohms/ph)	Xm (ohms/ph)	VIBRATION (in/sec)		FLOAT						
0.045	0.032	0.272	0.401	9.072	0.080		ODE						
* N O T E S *						If Inverter equals NONE, contact factory for further information							
						INVERTER TORQUE: VARIABLE 10:1							
						INV. HP SPEED RANGE: NONE							
						ENCODER: NONE							
						NONE NONE NONE PPR							
PREPARED BY: ANUSHA M DATE: 3/18/2020					BRAKE: NONE NONE FT-LB: NA VOLTAGE: NONE HZ:								

FORM: 3531 REV_4 2/27/06
 ** Subject to change without notice.

