

PRODUCT INFORMATION PACKET

Model No: 365TSHFCD19034

Catalog No: W593B

75 HP, Severe Duty Motors, 3 phase, 1800 RPM, 460 V, 365TS Frame, TEFC
Other Severe Duty Motors



Regal and Marathon are trademarks of Regal Beloit Corporation or one of its affiliated companies.
©2020 Regal Beloit Corporation, All Rights Reserved. MC017097E

REGAL



Nameplate Specifications

Output HP	75 Hp	Output KW	56.0 kW
Frequency	60 Hz	Voltage	460 V
Current	85.5 A	Speed	1782 rpm
Service Factor	1.15	Phase	3
Efficiency	95.4 %	Power Factor	86
Duty	Continuous	Insulation Class	H
Design Code	B	KVA Code	G
Frame	365TS	Enclosure	Totally Enclosed Fan Cooled
Thermal Protection	No	Ambient Temperature	40 °C
Drive End Bearing Size	6313	Opp Drive End Bearing Size	6213
UL	Listed	CSA	Y
CE	Y	IP Code	56
Hazardous Location	DIVISION 2 T2B		

Technical Specifications

Electrical Type	Squirrel Cage Inverter Rated	Starting Method	Line Or Inverter
Poles	4	Rotation	Selective Clockwise
Resistance Main	.072 Ohms	Mounting	Rigid Base
Motor Orientation	Horizontal	Drive End Bearing	Ball
Opp Drive End Bearing	Ball	Frame Material	Cast Iron
Shaft Type	TS	Shaft Diameter	1.875 in
Assembly/Box Mounting	F1/F2 CAPABLE		
Connection Drawing	EE7300U	Outline Drawing	SS557663-365TS

This is an uncontrolled document once printed or downloaded and is subject to change without notice. Date Created:08/07/2020

4

3

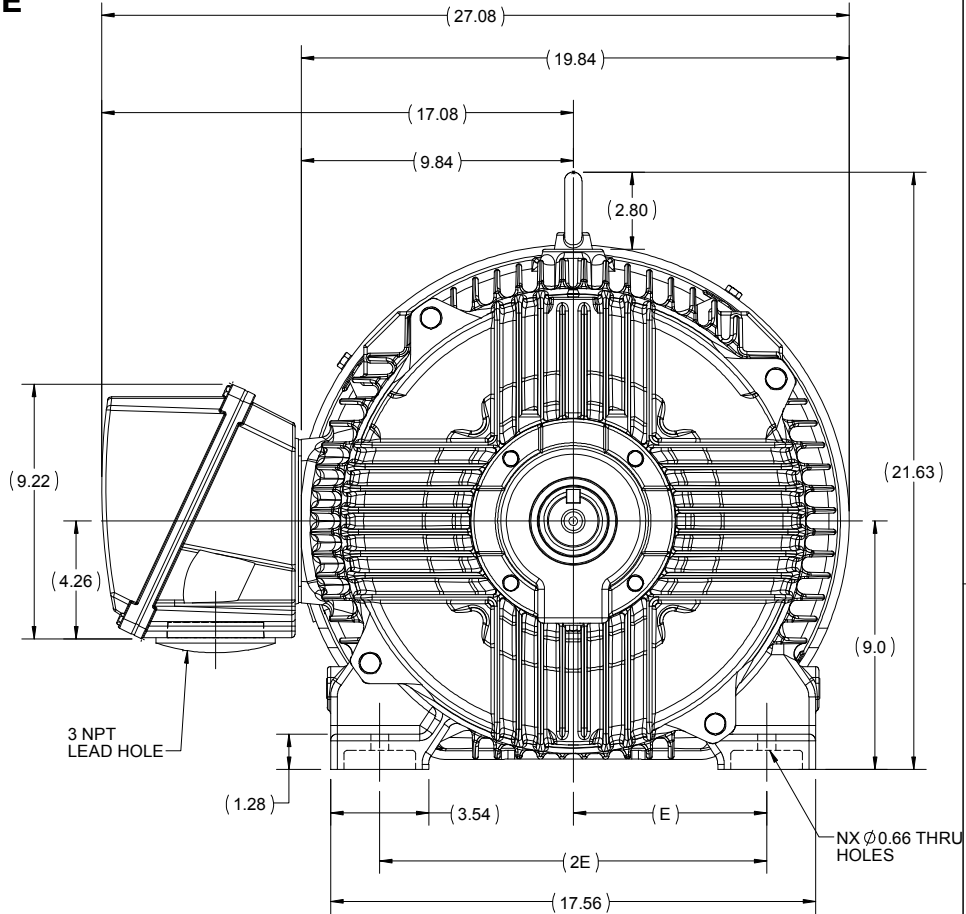
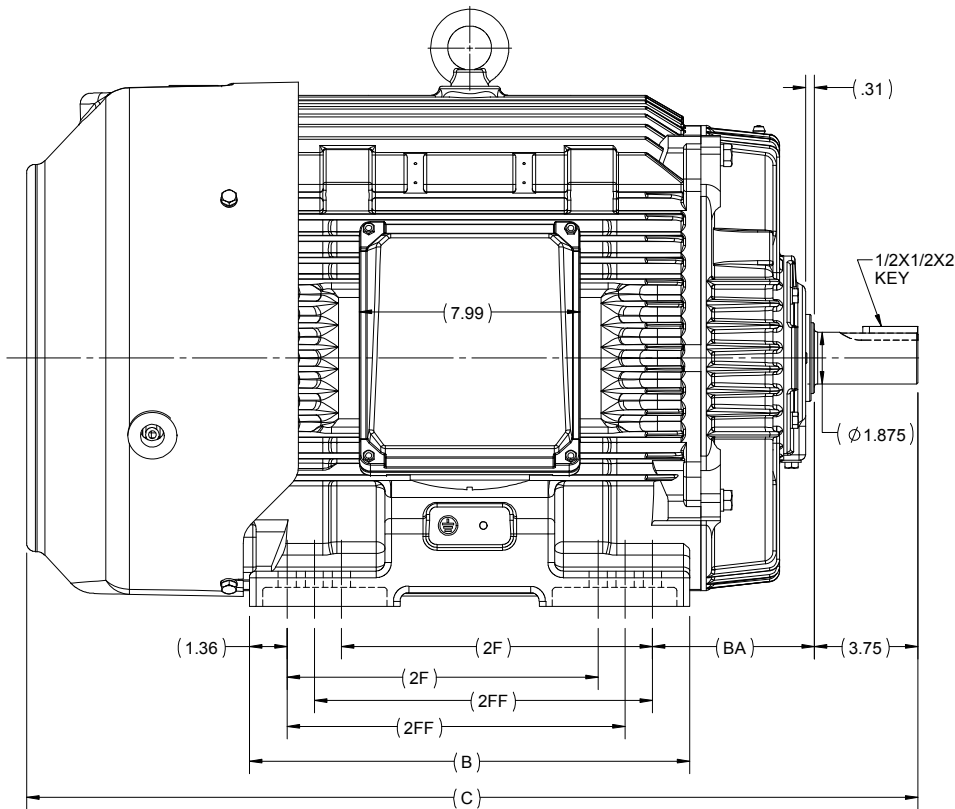
2

1

OUTLINE

B

B

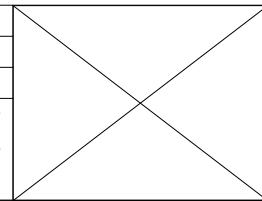



A

A

364/365TS	15.94	32.27	12.25	11.25	5.88	7.00	14.00	12	F1 OR F2
364TS	14.96	31.29	11.25	-				8	F1 OR F2
FRAME	B	C	2FF	2F	BA	E	2E	N	MOUNTING

DRAWING REVISION B	REVISION BY BISWA	DATE 25/01/2019
ECO ECO-0160791	APPROVED BY SBD	DATE 25/01/2019
ECO DESCRIPTION DRAWING UPDATED		
<small>COPYRIGHT REGAL BELOIT AMERICA, INC. ALL RIGHTS RESERVED. PROPRIETARY AND CONFIDENTIAL INFORMATION - THIS DOCUMENT IS THE PROPERTY OF REGAL BELOIT AMERICA, INC. ("OWNER") AND CONTAINS OWNER'S PROPRIETARY INFORMATION. ANY PERSON, CORPORATION OR OTHER FIRM RECEIVING IT IS DEEMED, BY RECEIVING IT, TO AGREE THAT IT, AND/OR ANY PART OF IT, SHALL NOT BE DISCLOSED TO ANY PERSON, CORPORATION OR OTHER ENTITY, DUPLICATED, AND/OR USED, EXCEPT AS EXPRESSLY APPROVED IN WRITING IN ADVANCE BY OWNER. THIS DOCUMENT SHALL BE RETURNED TO OWNER UPON REQUEST. IT MAY BE SUBJECT TO CERTAIN RESTRICTIONS UNDER APPLICABLE EXPORT CONTROL LAWS AND REGULATIONS.</small>		



DRAWN BY BISWA	 Regal Beloit America, Inc.
DATE 24/12/2018	
APPROVED BY SBD	DESCRIPTION OUTLINE 364/365TS FR-NEMA-SD & IEEE841
DATE 24/12/2018	MATERIAL
REFERENCE	PROCESS/FINISH
THIRD ANGLE PROJECTION	SIZE B
	DRAWING NUMBER SS557663
	SHEET 1 OF 1

4

3

2

1

IF MOTOR HAS 9 LEADS

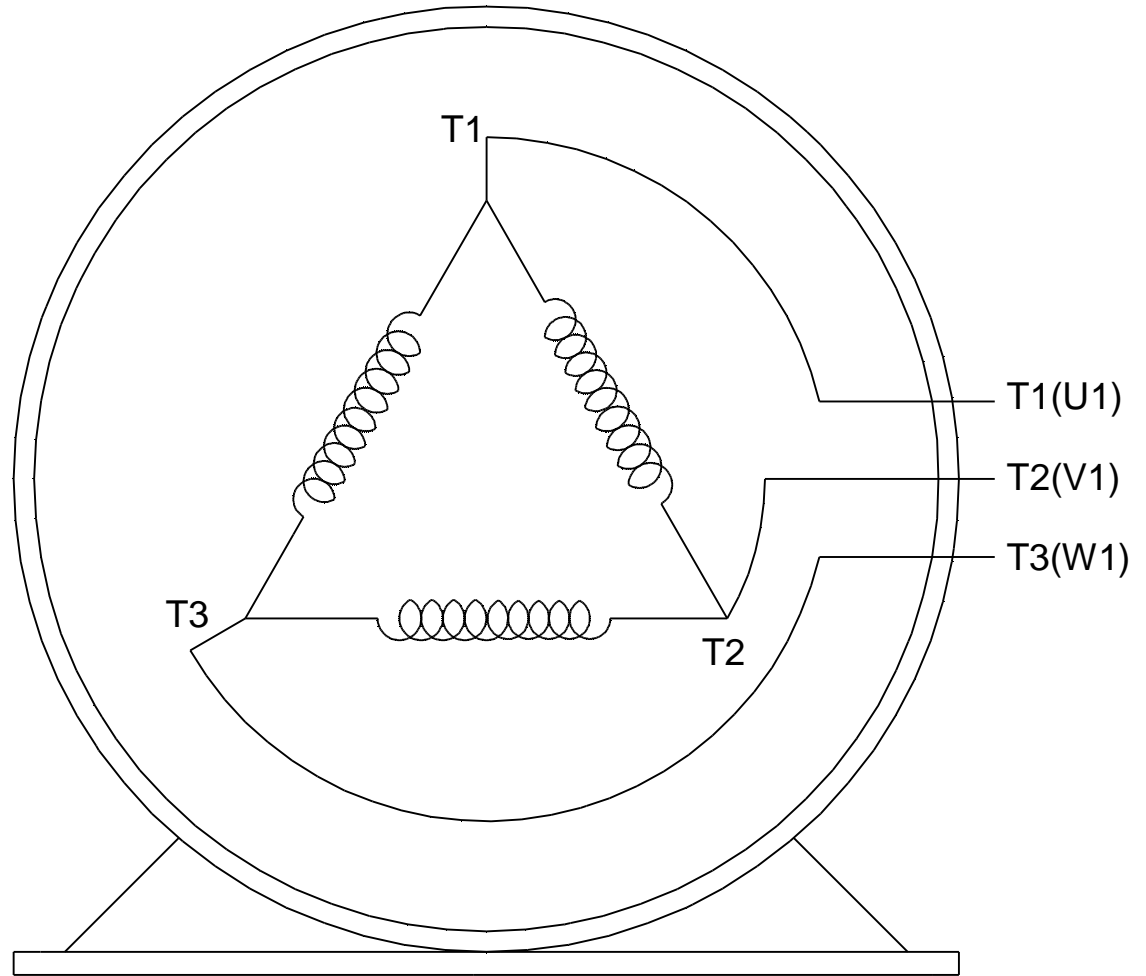


IF MOTOR HAS 6 LEADS



A-9806 DECAL IF CALLED FOR

IF MOTOR HAS 12 LEADS



VIEW OF TERMINAL END

DRAWING REVISION L	REVISION BY AJW	DATE 05-04-2015	TOLERANCES UNLESS OTHERWISE SPECIFIED:	DRAWN BY DRS	Regal Beloit America, Inc.																			
ECO ECO-0077067	APPROVED BY EWH	DATE 05-05-2015	<table style="font-size: small; border-collapse: collapse;"> <tr> <td><u>DEC.</u></td> <td><u>INCH</u></td> <td><u>mm</u></td> <td><u>ANGLE</u></td> </tr> <tr> <td>.X</td> <td>±0.1</td> <td>[±2.5]</td> <td>±7' 30"</td> </tr> <tr> <td>.XX</td> <td>±0.02</td> <td>[±0.51]</td> <td></td> </tr> <tr> <td>.XXX</td> <td>±0.005</td> <td>[±0.127]</td> <td></td> </tr> <tr> <td>.XXXX</td> <td>±0.0005</td> <td>[±0.0127]</td> <td></td> </tr> </table>	<u>DEC.</u>		<u>INCH</u>	<u>mm</u>	<u>ANGLE</u>	.X	±0.1	[±2.5]	±7' 30"	.XX	±0.02	[±0.51]		.XXX	±0.005	[±0.127]		.XXXX	±0.0005	[±0.0127]	
<u>DEC.</u>	<u>INCH</u>	<u>mm</u>	<u>ANGLE</u>																					
.X	±0.1	[±2.5]	±7' 30"																					
.XX	±0.02	[±0.51]																						
.XXX	±0.005	[±0.127]																						
.XXXX	±0.0005	[±0.0127]																						
ECO DESCRIPTION UPDATED TO SOLIDWORKS			REMOVE BURRS & BREAK SHARP EDGES: .003/.015 [.076/.381] X 45° CORNER FILLETS: R.02 [.51] MACHINED SURFACES: 200 $\sqrt{\text{INCH}}$ 5.1 $\sqrt{\text{mm}}$ mm SHOWN IN [BRACKETS]	APPROVED BY GK	DESCRIPTION CONN DIAGRAM-EXTERNAL																			
COPYRIGHT REGAL BELOIT AMERICA, INC. ALL RIGHTS RESERVED. PROPRIETARY AND CONFIDENTIAL INFORMATION - THIS DOCUMENT IS THE PROPERTY OF REGAL BELOIT AMERICA, INC. ("OWNER") AND CONTAINS OWNER'S PROPRIETARY INFORMATION. ANY PERSON, CORPORATION OR OTHER FIRM RECEIVING IT IS DEEMED, BY RECEIVING IT, TO AGREE THAT IT, AND/OR ANY PART OF IT, SHALL NOT BE DISCLOSED TO ANY PERSON, CORPORATION OR OTHER ENTITY, DUPLICATED, AND/OR USED, EXCEPT AS EXPRESSLY APPROVED IN WRITING IN ADVANCE BY OWNER. THIS DOCUMENT SHALL BE RETURNED TO OWNER UPON REQUEST. IT MAY BE SUBJECT TO CERTAIN RESTRICTIONS UNDER APPLICABLE EXPORT CONTROL LAWS AND REGULATIONS.				DATE 09-30-1996	3Ø SINDLE VOLTAGE																			
						REFERENCE	MATERIAL	PROCESS/FINISH																
			THIRD ANGLE PROJECTION	SIZE A	DRAWING NUMBER EE7300U	SHEET 1 OF 1																		



DATA VOLTS: 460

CERTIFICATION DATA SHEET

CONN. DIAGRAM: EE7300U
 OUTLINE: SS57863-365TS
 WINDING: HE32254009 NONE 1

REFERENCE MODEL #: 365TSHFCD19034
 CAT #: W593B

MOUNTING: F1/F2 CAPABLE

TYPICAL MOTOR PERFORMANCE DATA

HP	KW	SYNC RPM	FL RPM	FRAME	ENCLOSURE	TYPE	KVA CODE	DESIGN		
75	56	1800	1782	365TS	TEFC	TFC	G	B		
PH	HZ	VOLTS	AMPS	START TYPE	DUTY	INSL	S.F.	AMB (°C)	ELEV.(FT)	
3	60	460	85.5	LINE OR INVERTER	CONT	H	1.15	40	3300	
F.L. EFF		3/4 LD EFF	95.4	1/2 LD EFF	95.0	GTD EFF	ELECT. TYPE			
86.0		83.5	76.2	95.0	SQ CAGE INV RATED					
F.L. TORQUE		LR AMPS @ 460 V	L.R. TORQUE		B.D. TORQUE		F.L. RISE (°C)			
221	LB-FT	542	464	LB-FT	210%	586	LB-FT	265%	65	
SOUND PRESSURE @	SOUND	ROTOR WK ²	MAX. LOAD WK ²		SAFE STALL TIME	STARTS/HOUR		APROX.		
72	dB	81	20.5	LB-FT ²	400	20	SEC.	2	545	
*** SUPPLEMENTAL INFORMATION ***										
DE BRACKET TYPE	ODE BRACKET TYPE	MOUNT TYPE	MOTOR ORIENTATION	SEVERE DUTY	HAZARDOUS LOCATION	DRIP COVER	SCREENS	PAINT		
STANDARD	STANDARD	RIGID	HORIZONTAL	PREMIUM SEVERE DUTY	DIVISION 2 T2B	NO	NONE	BLUE (EPOXY)		
BEARINGS		GREASE	SHAFT TYPE	SPECIAL DE	SPECIAL ODE	SHAFT	MATERIAL	FRAME MATERIAL		
DE	ODE	POLYREX EM	TS	NONE	NONE	1045 HOT ROLLED (C-204)		CAST IRON		
BALL	BALL									
6313	6213									
THERMOSTATS	PROTECTORS	WDG RTD's	BRG RTD's		THERMISTORS	CONTROL		SPACE	HEATERS	
NONE	NOT	NONE	NONE		NONE	FALSE			NA	
R1 (ohms/ph)	R2 (ohms/ph)	X1 (ohms/ph)	X2 (ohms/ph)		Xm (ohms/ph)	VIBRATION (in/sec)		FLOAT		
0.045	0.032	0.272	0.401		9.072	0.080		ODE		
* N O T E S *						If Inverter equals NONE, contact factory for further information				
						INVERTER TORQUE: VARIABLE 10:1				
						INV. HP SPEED RANGE: NONE				
						ENCODER: NONE				
						NONE PPR				
PREPARED BY: ANUSHA M					BRAKE: NONE					
DATE: 3/18/2020					NONE NA NONE					
					FT-LB: NA					
					VOLTAGE: NONE HZ:					

FORM: 3531 REV_4 2/27/06
 ** Subject to change without notice.

