

PRODUCT INFORMATION PACKET

Model No: 215THFS9101
Catalog No: W522
3,900,TEFC,215T,3/60/460
Severe Duty



Regal and Marathon are trademarks of Regal Beloit Corporation or one of its affiliated companies.
©2018 Regal Beloit Corporation, All Rights Reserved. MC017097E



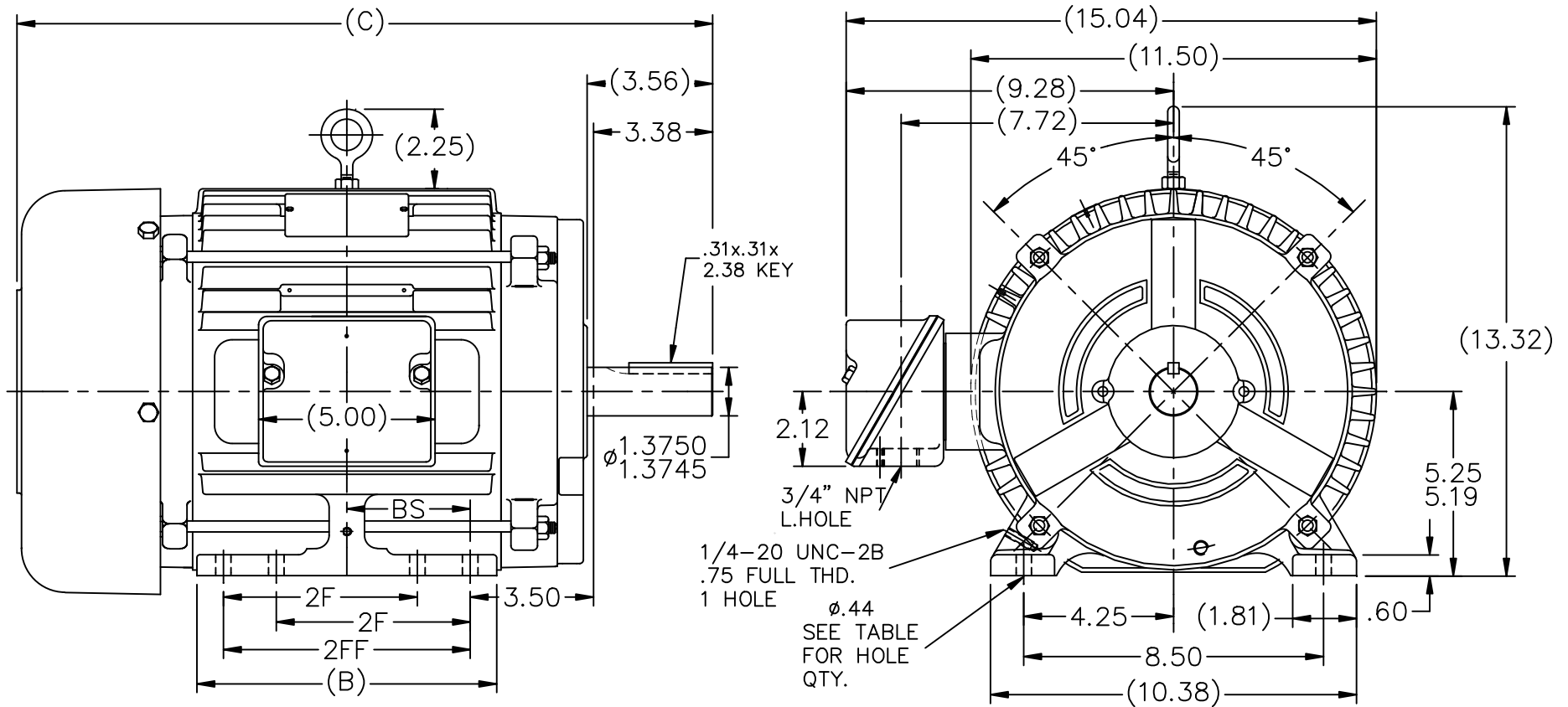


Nameplate Specifications

Output HP	3 Hp	Output KW	2.24 kW
Frequency	60 Hz	Voltage	460 V
Current	5 A	Speed	875 rpm
Service Factor	1.15	Phase	3
Efficiency	86.5 %	Duty	CONTINUOUS
Insulation Class	F	Design Code	B
KVA Code	H	Frame	215T
Enclosure	TEFC	Overload Protector	NOT
Ambient Temperature	40 °C	Drive End Bearing Size	6307
Opp Drive End Bearing Size	6206	UL	Recognized
CSA	Y	CE	Y
IP Code	56		

Technical Specifications

Electrical Type	SQ CAGE INV RATED	Starting Method	LINE OR INVERTER
Poles	8	Rotation	REV
Mounting	RIGID	Motor Orientation	HORIZONTAL
Drive End Bearing	BALL	Opp Drive End Bearing	BALL
Frame Material	CAST IRON	Shaft Type	T
Overall Length	19.72 in	Frame Length	8.75 in
Shaft Diameter	1.38 in	Shaft Extension	3.56 in
Assembly/Box Mounting	F1/F2 CAPABLE		
Outline Drawing	A-SS87301-875	Connection Diagram	A-EE7300



1/4-20 UNC-2B
.75 FULL THD.
1 HOLE
Ø.44
SEE TABLE
FOR HOLE
QTY.

- NOTES:
 1. BOX CAN BE ROTATED IN 90° STEPS.
 2. BOX CAN BE MOUNTED ON OPPOSITE SIDE BY REMOVING BRACKETS AND TURNING FRAME 180°.
 3. NAMEPLATE TO BE READ FROM CONDUIT BOX SIDE OF MOTOR.

DASH	FR.	C	B	BS	2F	2FF	FOOT HOLE QTY.	MOUNTING
725	213T	18.22	7.00	2.75	-	5.50	4	F1 OR F2
875	215T	19.72	8.50	3.50	-	7.00	4	F1 OR F2
875	213/5T	19.72	8.50	3.50	5.50	7.00	8	F1 OR F2
1000	215T	20.97	9.75	4.12	7.00	8.25	8	F1 OR F2

11	UPDATED DRAWING	TJW 04/30/2007		TOLERANCES UNLESS SPECIFIED			DRAWN PGK 07-29-1997			
10	REVISED TOL. WAS 5.22/5.16 NOW 5.25/5.19	RJW 05-01-2006	ML	DEC.	INCHES		CHK ML 08-07-1997			
9	ADDED FOOT HOLE QTY. & MTG. TO TABLE CN 37322	TAT 01-14-2004	ML	.X	±.1	APPD PH 08-11-1997				
8	REMOVED NOTE 'SEE FRAME WHEN REQ'D' FROM GROUND HOLE CN 29200-1698	DRS 04-23-2001		.XX	±.03	TITLE OUTLINE 213-15T FR. - BB - TEFC	SCALE 7=32			
8	UPDATED C' BOX GEOMETRY CN 28426	HLB 11-10-2000		.XXX	±.005	MAT'L.	REF			
7	NO. REVISION	BY & DATE	CHK	ANG	±7'30"	FINISH	FMF			
THIS DRAWING IN DESIGN AND DETAIL IS OUR PROPERTY AND MUST NOT BE USED EXCEPT IN CONNECTION WITH OUR WORK ALL RIGHTS OF DESIGN AND INVENTION ARE RESERVED THIS IS AN ELECTRONICALLY GENERATED DOCUMENT - DO NOT SCALE THIS PRINT				RFP	CAD FILE ss87301		SIZE A	DRAWING NO. SS87301	PAGE OF	REV. 11
				DIST LB						

**THREE PHASE - SINGLE VOLTAGE
MOTOR - CONDUIT BOX @ 'A'**

**TO REVERSE ROTATION:
INTERCHANGE ANY TWO
LINE LEAD CONNECTIONS.**

TERMINAL BLOCK WHEN SPECIFIED



VIEW OF TERMINAL END

**IF MOTOR HAS
6 LEADS**




A-9806 DECAL

**OPTIONAL CORD
CONNECTION**

- L1 _____ WHITE
- L2 _____ RED
- L3 _____ BLACK

DRAWING REVISION AB	REVISION BY JJB	DATE 06-27-2017
ECO ECO-0125361	APPROVED BY TB	DATE 06-27-2017
ECO DESCRIPTION UPDATED TO CURRENT STANDARDS		
<small>COPYRIGHT REGAL BELOIT AMERICA, INC. ALL RIGHTS RESERVED. PROPRIETARY AND CONFIDENTIAL INFORMATION - THIS DOCUMENT IS THE PROPERTY OF REGAL BELOIT AMERICA, INC. ("OWNER") AND CONTAINS OWNER'S PROPRIETARY INFORMATION. ANY PERSON, CORPORATION OR OTHER FIRM RECEIVING IT IS DEEMED, BY RECEIVING IT, TO AGREE THAT IT, AND/OR ANY PART OF IT, SHALL NOT BE DISCLOSED TO ANY PERSON, CORPORATION OR OTHER ENTITY, DUPLICATED, AND/OR USED, EXCEPT AS EXPRESSLY APPROVED IN WRITING IN ADVANCE BY OWNER. THIS DOCUMENT SHALL BE RETURNED TO OWNER UPON REQUEST. IT MAY BE SUBJECT TO CERTAIN RESTRICTIONS UNDER APPLICABLE EXPORT CONTROL LAWS AND REGULATIONS.</small>		



DRAWN BY DA	 Regal Beloit America, Inc.
DATE 03-26-1993	
APPROVED BY TB	DESCRIPTION CONNECTION DIAGRAM EXTERNAL - SINGLE VOLTAGE - 3Ø MOTOR
DATE 03-26-1993	MATERIAL
REFERENCE	PROCESS/FINISH
THIRD ANGLE PROJECTION	SIZE A
	DRAWING NUMBER EE7300
	SHEET 1 OF 1

