

# PRODUCT INFORMATION PACKET

**marathon**<sup>®</sup>  
Motors

Model No: 405TSTD4333  
Catalog No: U533A  
125,1800,DP,405TS,3/60/380 Fire Pump  
Fire Pump



Regal and Marathon are trademarks of Regal Beloit Corporation or one of its affiliated companies.  
©2018 Regal Beloit Corporation, All Rights Reserved. MC017097E

**REGAL**<sup>®</sup>

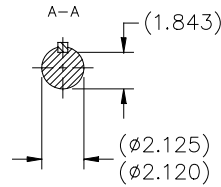
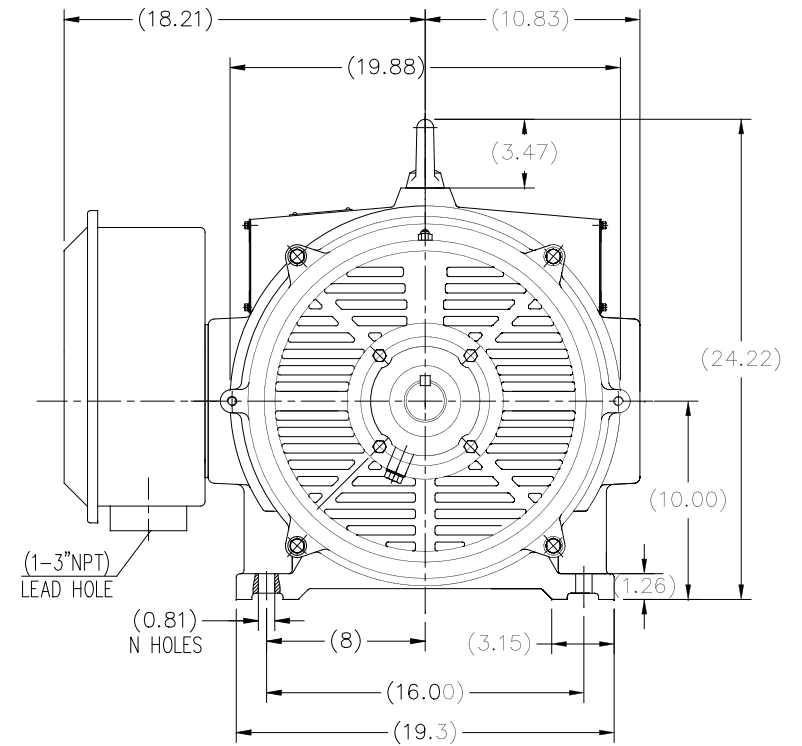
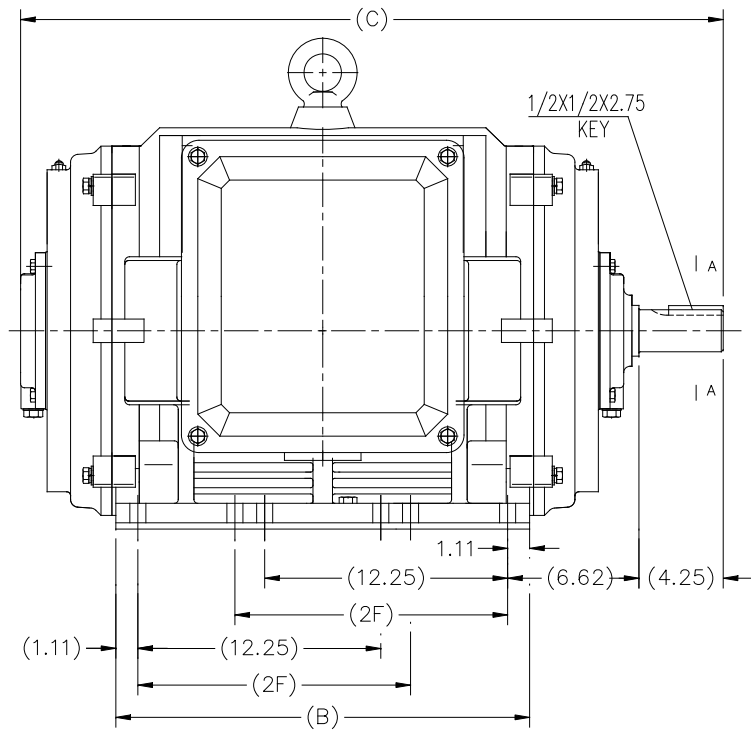
**Nameplate Specifications**

Output HP	<b>125 Hp</b>	Output KW	<b>93.0 kW</b>
Frequency	<b>60 Hz</b>	Voltage	<b>380-400 V</b>
Current	<b>170.0-162.0 A</b>	Speed	<b>1785 rpm</b>
Service Factor	<b>1.15</b>	Phase	<b>3</b>
Efficiency	<b>94.5 %</b>	Duty	<b>Continuous</b>
Insulation Class	<b>F</b>	Design Code	<b>B</b>
KVA Code	<b>G</b>	Frame	<b>405TS</b>
Enclosure	<b>Drip Proof</b>	Overload Protector	<b>No</b>
Ambient Temperature	<b>50 °C</b>	Drive End Bearing Size	<b>6316</b>
Opp Drive End Bearing Size	<b>6315</b>	UL	<b>No</b>
CSA	<b>Y</b>	CE	<b>Y</b>
IP Code	<b>23</b>		

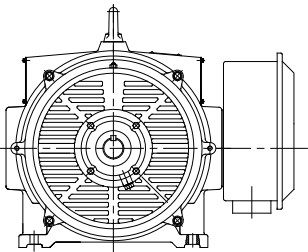
**Technical Specifications**

Electrical Type	<b>Squirrel Cage Induction Run</b>	Starting Method	<b>Part Wdg Start &amp; Wye Start Delta Run</b>
Poles	<b>4</b>	Rotation	<b>Reversible</b>
Mounting	<b>Rigid base</b>	Motor Orientation	<b>HORIZONTAL</b>
Drive End Bearing	<b>BALL</b>	Opp Drive End Bearing	<b>BALL</b>
Frame Material	<b>Cast Iron</b>	Shaft Type	<b>TS</b>
Overall Length	<b>35.44 in</b>	Frame Length	<b>21.25 in</b>
Shaft Diameter	<b>2.125 in</b>	Shaft Extension	<b>4.25 in</b>
Assembly/Box Mounting	<b>F1/F2 CAPABLE</b>		
Outline Drawing	<b>SS620752-405TS</b>	Connection Diagram	<b>EE7300BH</b>

SS620752

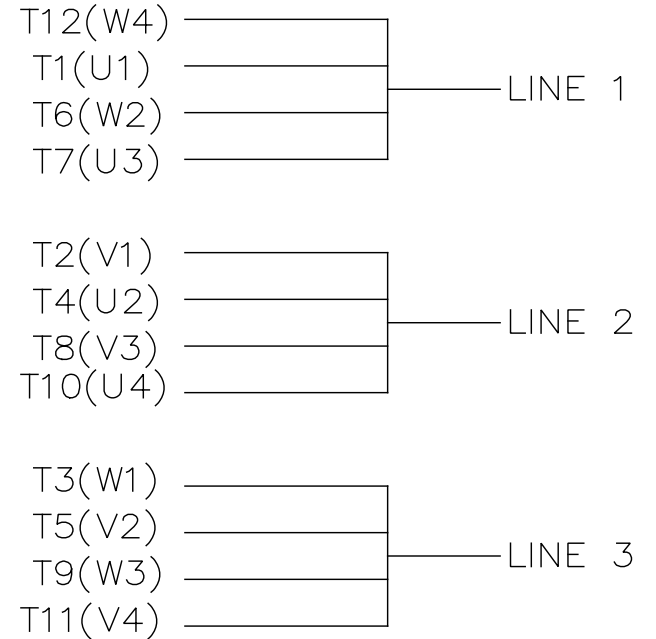
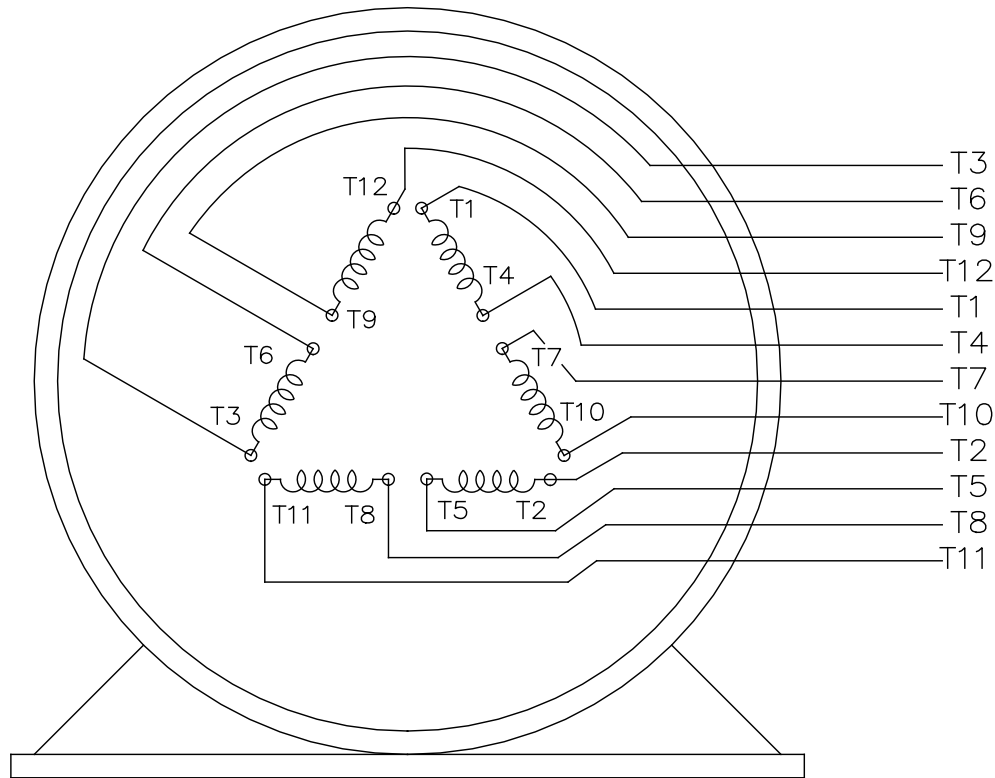


F2 MOUNTING



404TS	33.86	19.29	N/A	8 HOLES
405TS	35.44	20.87	13.75	12 HOLES
Frame	C	B	2F	N HOLES

TOLERANCES UNLESS SPECIFIED		REGAL REGAL-BELOIT CORPORATION		DRAWN WY 07-21-2016	
DEC.	INCHES	CHK		CHK	
.X	±.1			APPD	
.XX	±.03			SCALE	NONE
.XXX	±.005			REF	
.XXXX	±.0005			FINISH	WUXI
ANG	±7'30"			PREV	
NO.	REVISION	BY & DATE	CHK	RFP	CAD FILE SS620752
THIS DRAWING IN DESIGN AND DETAIL IS OUR PROPERTY AND MUST NOT BE USED EXCEPT IN CONNECTION WITH OUR WORK ALL RIGHTS OF DESIGN AND INVENTION ARE RESERVED THIS IS AN ELECTRONICALLY GENERATED DOCUMENT - DO NOT SCALE THIS PRINT				SIZE	DRAWING NO. PAGE 1 OF 1 REV.
				B	SS620752



VIEW OF TERMINAL END

				TOLERANCES UNLESS SPECIFIED		REGAL REGAL - BELOIT CORPORATION	DRAWN RJW 02-11-2005			
				DEC.	INCHES		CHK	ML	02-11-2005	
				.X	±.1		APPD	GK	02-11-2005	
				.XX	±.02	TITLE CONNECTION DIAGRAM		SCALE		
D	CHANGED TO REGAL TITLE BLOCK	ECO-0108299	WGJ 08/22/2016	EMH	.XXX ±.005	12 LEAD- SINGLE VOLTAGE		REF		
1	ADDED IEC TERMINAL MARKINGS	CN 41429	JJB 05/24/2007	ML	.XXXX ±.0005	MAT'L.		FMF		
NO.	REVISION	BY & DATE	CHK	ANG	±7'30"	FINISH		PREV		
THIS DRAWING IN DESIGN AND DETAIL IS OUR PROPERTY AND MUST NOT BE USED EXCEPT IN CONNECTION WITH OUR WORK ALL RIGHTS OF DESIGN AND INVENTION ARE RESERVED THIS IS AN ELECTRONICALLY GENERATED DOCUMENT - DO NOT SCALE THIS PRINT				RFP	02-11-2005	CAD FILE ee7300bh	SIZE	DRAWING NO.	PAGE OF	REV.
				DIST	LB		A	EE7300BH		C



P.O. BOX 8003  
WAUSAU, WI 54401-8003  
PH. 715-675-3311

DATA VOLTS: 460

CERTIFICATION DATA SHEET

CUSTOMER: \_\_\_\_\_ CUSTOMER P.O. #: \_\_\_\_\_  
 ORDER #: \_\_\_\_\_ REFERENCE MODEL #: 40ST1DDC4333  
 CONN. DIAGRAM: EE7300BH CAT #: U533A  
 OUTLINE: SS620752 CUSTOMER PART #: \_\_\_\_\_  
 WINDING: IE2L2504101 NONE 3 MOUNTING: F1/F2 CAPABLE  
 SPEED: \_\_\_\_\_

TYPICAL MOTOR PERFORMANCE DATA

HP	KW	SYNCRPM	FLRPM	FRAME	ENCLOSURE	TYPE	KVA CODE	DESIGN	
125	93	1800	1785	40ST5	DP	TDC	F	B	
PH	HZ	VOLTS	AMPS	START TYPE	DUTY	INSL	S.F.	AMB	ELEV.
3	60	380-400	170-162	PWS & YDRUN	CONT	F	1.15	50	3300
	F.L. EFF	94.5	3/4 LD EFF	94.5	1/2 LD EFF	93.6	GTD EFF		ELECT. TYPE
	F.L. PF	87.0	3/4 LD PF	85.0	1/2 LD PF	80.0	0.0		SQ CAGE IND RUN
F.L. TORQUE	LR AMPS @ 460 V	L.R. TORQUE	B.D. TORQUE	F.L. RISE (°C)					
388 LB-FT	920	625 LB-FT	170%	840 LB-FT	228%	45			
@ 3 FT.	POWER	ROTOR WK <sup>2</sup>	MAX. LOAD WK <sup>2</sup>	SAFE STALL TIME	START/SHOUR	MOTOR WGT			
80 DBA	89 DBA	0.00 LB-FT <sup>2</sup>	0 LB-FT <sup>2</sup>	20 SEC.	0	0 LB.			

\*\*\* SUPPLEMENTAL INFORMATION \*\*\*

DE BRACKET TYPE	ODE BRACKET TYPE	MOUNT TYPE	MOTOR ORIENTATION	SEVERE DUTY	HAZARDOUS LOCATION	DRIP COVER	SCREENS	PAINT
STANDARD	STANDARD	RIGID	HORIZONTAL	NO	NONE	NO	NONE	RED (ENAMEL)
BEARINGS	GREASE	SHAFT TYPE	SPECIAL DE	SPECIAL ODE	SHAFT MATERIAL	FRAME MATERIAL		
DE BALL 6316	POLYREX EM	T5	NONE	NONE	1045 HOT ROLLED (C-204)	CAST IRON		
THERMOSTATS	PROTECTORS	WDG RTD's	BRG RTD's	THERMISTORS	CONTROL	SPACE HEATERS		
NONE	NOT	NONE	NONE	NONE	FALSE	NA		
R1 (ohms/ph)	R2 (ohms/ph)	X1 (ohms/ph)	X2 (ohms/ph)	Xm (ohms/ph)	VIBRATION (in/sec)	FLOAT		
0.029	0.014	0.112	0.213	5.041	0.150	ODE		

\* INVERTER TORQUE: NONE  
 INV. HP SPEED RANGE: NONE  
 ENCODER: NONE  
 NONE  
 NONE  
 BRAKE: NONE  
 NONE  
 NONE  
 NONE PPR

PREPARED BY: FAREEDA DUDEKULA  
 DATE: 8/27/2018  
 FT-LB: NA  
 VOLTAGE: NONE  
 HZ: \_\_\_\_\_  
 UL: NONE

Data Sheet

4051STD0CD4333

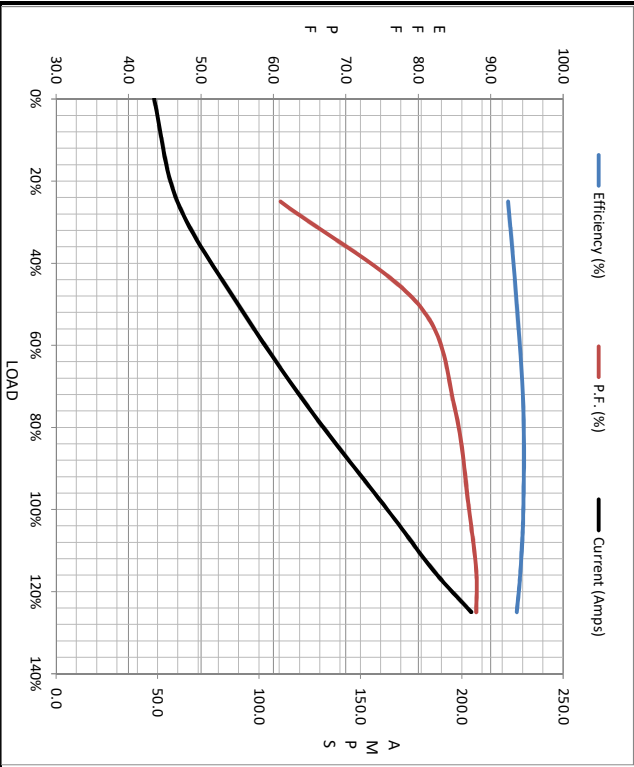


Submital  
Data @ 400 V

Date: 8/27/2018  
Customer: \_\_\_\_\_  
Attention: \_\_\_\_\_  
Submitted by: FAREEDA DUDEKULA

Load	Motor Load Data									
	0%	25%	50%	75%	100%	115%	125%	LR		
Current (Amps)	48.3	59.8	89.7	124	163	186	205	920		
Torque (ft-lb)	0.00	91.5	183	276	368	423	462	625		
RPM	1800	1795	1792	1788	1785	1782	1778	0		
Efficiency (%)		92.4	93.6	94.5	94.5	94.1	93.6			
P.F. (%)	5.0	61.0	80.0	85.0	87.0	88.0	88.0	36.0		

	Motor Speed Data					Information Block																			
	LR	Pull-Up	BD	Rated	Idle	HP	Sync. RPM	Frame	Enclosure	Construction	Voltage	Frequency	Design	LR Code letter	Service Factor	Temp Rise @ FL	Duty	Ambient	Elevation	Rotor/Shaft wk <sup>2</sup>	Sound Pressure @ 1M	VFD Rating	Outline Dwg	Conn. Diag	Additional Specifications:
Speed (RPM)	0	900	1725	1785	1800	125.0	1800	4051B2TFC6080	DP	TDC	380-400	60	B	F	1.15	45	CONT	40	1,000	0.00	80	NONE	SS620752	EE7300BH	
Current (Amps)	920	863	546	163	48.3																				
Torque (ft-lb)	625	535	840	368	0.00																				



R1	R2	X1	X2	Xm
0.0290	0.0140	0.1120	0.2130	5.0410

