

PRODUCT INFORMATION PACKET

Model No: 365TSTD4025
Catalog No: U526A
100,3600,DP,365TS,3/60/230/460
Fire Pump



Regal and Marathon are trademarks of Regal Beloit Corporation or one of its affiliated companies.
©2018 Regal Beloit Corporation, All Rights Reserved. MC017097E



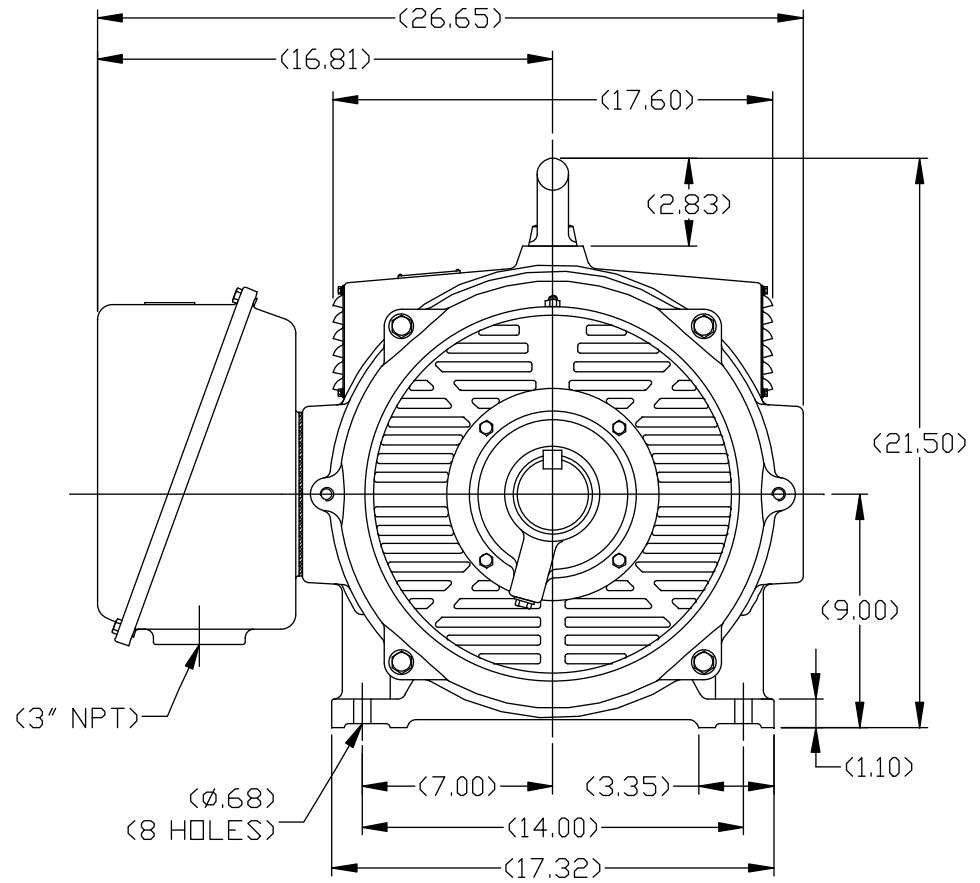
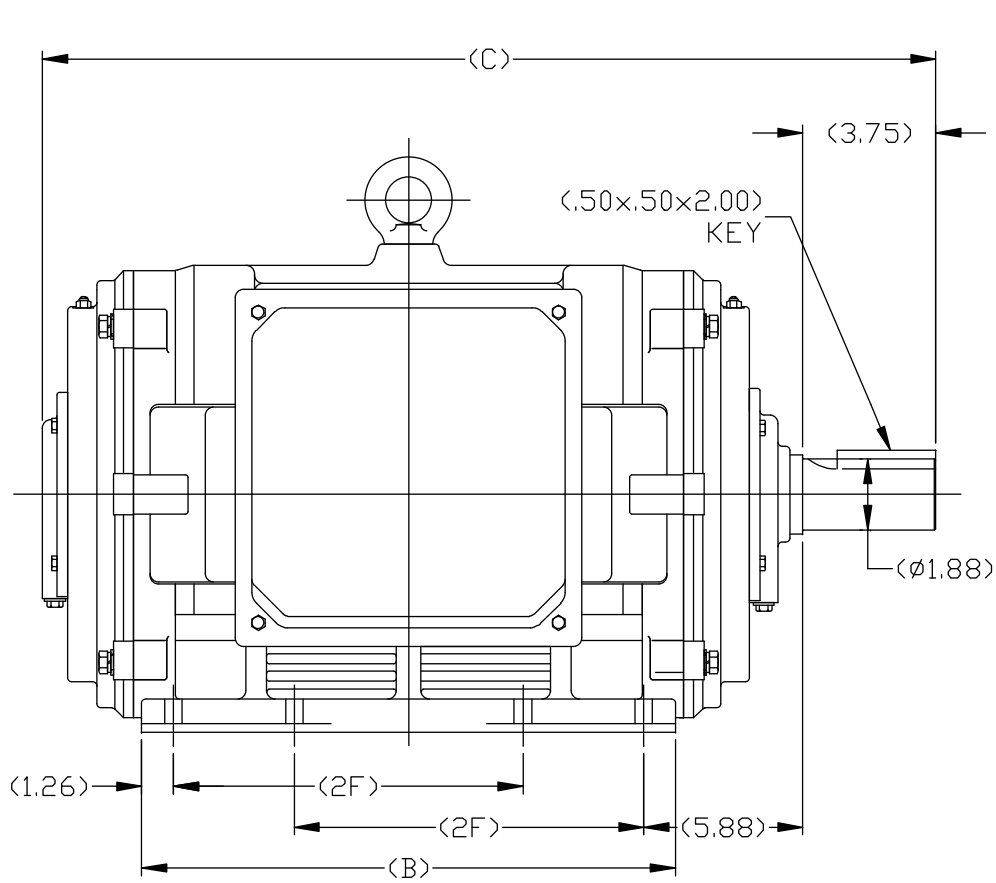


Nameplate Specifications

Output HP	100 Hp	Output KW	75.0 kW
Frequency	60 Hz	Voltage	230/460 V
Current	228.0/114.0 A	Speed	3568 rpm
Service Factor	1.15	Phase	3
Efficiency	93 %	Duty	Continuous
Insulation Class	F	Design Code	B
KVA Code	F	Frame	365TS
Enclosure	Drip Proof	Overload Protector	No
Ambient Temperature	50 °C	Drive End Bearing Size	6312
Opp Drive End Bearing Size	6312	UL	No
CSA	Y	CE	Y
IP Code	23		

Technical Specifications


Electrical Type	Squirrel Cage Induction Run	Starting Method	Part Wdg Start Low Volt Only & Wye Start Delta Run
Poles	2	Rotation	Reversible
Mounting	Rigid base	Motor Orientation	HORIZONTAL
Drive End Bearing	BALL	Opp Drive End Bearing	BALL
Frame Material	Cast Iron	Shaft Type	TS
Overall Length	29.57 in	Frame Length	18.89 in
Shaft Diameter	1.875 in	Shaft Extension	3.75 in
Assembly/Box Mounting	F1/F2 CAPABLE		
Outline Drawing	SS620113-365TS	Connection Diagram	EE7308AA



(DIMENSIONS IN TABLE ARE CONSIDERED REFERENCE)

364TSTDCA4026	364TS	29.57	17.32	11.25
365TSTDCA4026	365TS	31.14	18.90	12.25
MODEL	FRAME	C	B	2F

(MAY NOT BE TO SCALE)

		TOLERANCES UNLESS SPECIFIED		 REGAL-BELOIT CORPORATION	DRAWN SB 01-14-2008
		DEC.	INCHES		CHK ML 11-09-2007
		.X	±.1	TITLE	APPD MSG 11-09-2007
		.XX	±.03	364/365TSTDCA4026 - DDP	SCALE 1=1
		.XXX	±.005	MAT'L.	REF
		.XXXX	±.0005	FINISH	FMF HUADA
NO.	REVISION	BY & DATE	CHK ANG ±1/2		PREV
THIS DRAWING IN DESIGN AND DETAIL IS OUR PROPERTY AND MUST NOT BE USED EXCEPT IN CONNECTION WITH OUR WORK ALL RIGHTS OF DESIGN AND INVENTION ARE RESERVED THIS IS AN ELECTRONICALLY GENERATED DOCUMENT - DO NOT SCALE THIS PRINT				RFP CAD FILE SS620113	SIZE B
				DIST	DRAWING NO. SS620113
					REV.



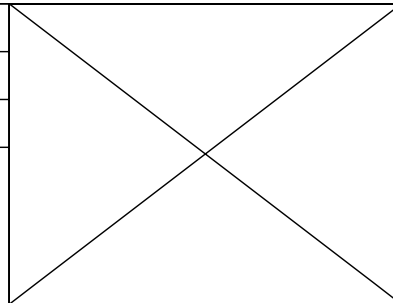
LOW VOLTAGE



HIGH VOLTAGE



DRAWING REVISION K	REVISION BY AJW	DATE 07-17-2015
ECO ECO-0081632	APPROVED BY T. VUE	DATE 07-17-2015
ECO DESCRIPTION REV'D IEC MARKINGS PER IEC 60034-8		
COPYRIGHT REGAL BELOIT AMERICA, INC. ALL RIGHTS RESERVED. PROPRIETARY AND CONFIDENTIAL INFORMATION - THIS DOCUMENT IS THE PROPERTY OF REGAL BELOIT AMERICA, INC. ("OWNER") AND CONTAINS OWNER'S PROPRIETARY INFORMATION. ANY PERSON, CORPORATION OR OTHER FIRM RECEIVING IT IS DEEMED, BY RECEIVING IT, TO AGREE THAT IT, AND/OR ANY PART OF IT, SHALL NOT BE DISCLOSED TO ANY PERSON, CORPORATION OR OTHER ENTITY, DUPLICATED, AND/OR USED, EXCEPT AS EXPRESSLY APPROVED IN WRITING IN ADVANCE BY OWNER. THIS DOCUMENT SHALL BE RETURNED TO OWNER UPON REQUEST. IT MAY BE SUBJECT TO CERTAIN RESTRICTIONS UNDER APPLICABLE EXPORT CONTROL LAWS AND REGULATIONS.		



DRAWN BY LZ	Regal Beloit America, Inc.	
DATE 01-12-1994		
APPROVED BY GK	DESCRIPTION CONN DIAGRAM-EXTERNAL 3Ø-2/1 DELTA-12 LEADS	
DATE 01-14-1994		
REFERENCE	MATERIAL	PROCESS/FINISH
THIRD ANGLE PROJECTION	SIZE A	DRAWING NUMBER EE7308AA
		SHEET 1 OF 1



P.O. BOX 8003
WAUSAU, WI 54401-8003
PH. 715-675-3311

DATA VOLTS: 460

CERTIFICATION DATA SHEET

CUSTOMER P.O. #:
 ORDER #: EE7308AA
 REFERENCE MODEL #: 365STDCCD4025
 CONN. DIAGRAM: SS620748
 CAT #: U526A
 OUTLINE: IE3L2252111 NONE 2
 CUSTOMER PART #:
 WINDING: IE3L2252111 NONE 2
 MOUNTING: F1/F2 CAPABLE
 SPEED:
 TYPICAL MOTOR PERFORMANCE DATA

HP	KW	SYNC RPM	FL RPM	FRAME	ENCLOSURE	TYPE	KVA CODE	DESIGN
100	75	3600	3568	365TS	DP	TDC	F	B

PH	HZ	VOLTS	AMPS	START TYPE	DUTY	INSL	S.F.	AMB	ELEV.
3	60/50	230/460#190/380	228/114&210/105	WS(LV ONLV) & YDRU	CONT	F	1.15	50	3300
	F.L. EFF	93.0	3/4 LD EFF	93.0	1/2 LD EFF	92.4	GTD EFF	ELECT. TYPE	
	F.L. PF	88.0	3/4 LD PF	86.0	1/2 LD PF	80.0	91.7	SQ CAGE IND RUN	
F.L. TORQUE	LR AMPS @ 460 V	L.R. TORQUE	B.D. TORQUE	F.L. RISE (°C)					
147 LB-FT	675	235 LB-FT	160%	350 LB-FT	238%	65			
@ 3 FT.	POWER	ROTOR WK ²	MAX. LOAD WK ²	SAFE STALL TIME	START/SHOUR	MOTOR WGT			
999 DBA	1008 DBA	0.00 LB-FT ²	0 LB-FT ²	20 SEC.	2	0 LB.			

*** SUPPLEMENTAL INFORMATION ***

DE BRACKET TYPE	ODE BRACKET TYPE	MOUNT TYPE	MOTOR ORIENTATION	SEVERE DUTY	HAZARDOUS LOCATION	DRIP COVER	SCREENS	PAINT
STANDARD	STANDARD	RIGID	HORIZONTAL	NO	NONE	NO	NONE	RED (ENAMEL)
BEARINGS	GREASE	SHAFT TYPE	SPECIAL DE	SPECIAL ODE	SHAFT	MATERIAL	FRAME MATERIAL	
DE BALL 6312	POLYREX EM	TS	NONE	NONE	1045 HOT ROLLED (C-204)		CAST IRON	

THERMOSTATS	PROTECTORS	WDG RTD's	BRG RTD's	THERMISTORS	CONTROL	SPACE HEATERS
NONE	NOT	NONE	NONE	NONE	FALSE	NA
R1 (ohms/ph)	R2 (ohms/ph)	X1 (ohms/ph)	X2 (ohms/ph)	Xm (ohms/ph)	VIBRATION (in/sec)	FLOAT
0.057	0.021	0.216	0.298	8.449	0.150	ODE

N	INVERTER TORQUE: NONE
O	INV. HP SPEED RANGE: NONE
T	
E	ENCODER: NONE
S	NONE
	BRAKE: NONE
	FT-LB: NONE
	VOLTAGE: NONE
	UL: NONE
	HAZ: NONE
	PPR: NONE

PREPARED BY: FAREEDA DUDEKULA
 DATE: 8/20/2018
 FORM: 3531 REV 4 2/27/06

