

# PRODUCT INFORMATION PACKET

**marathon**<sup>®</sup>  
Motors

Model No: 364TSTD4024  
Catalog No: U523A  
75,3600,DP,364TS,3/60/190/380-400  
Fire Pump



Regal and Marathon are trademarks of Regal Beloit Corporation or one of its affiliated companies.  
©2018 Regal Beloit Corporation, All Rights Reserved. MC017097E

**REGAL**<sup>®</sup>



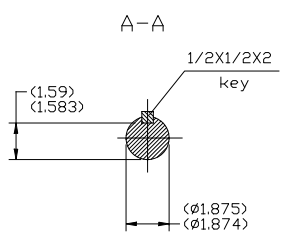
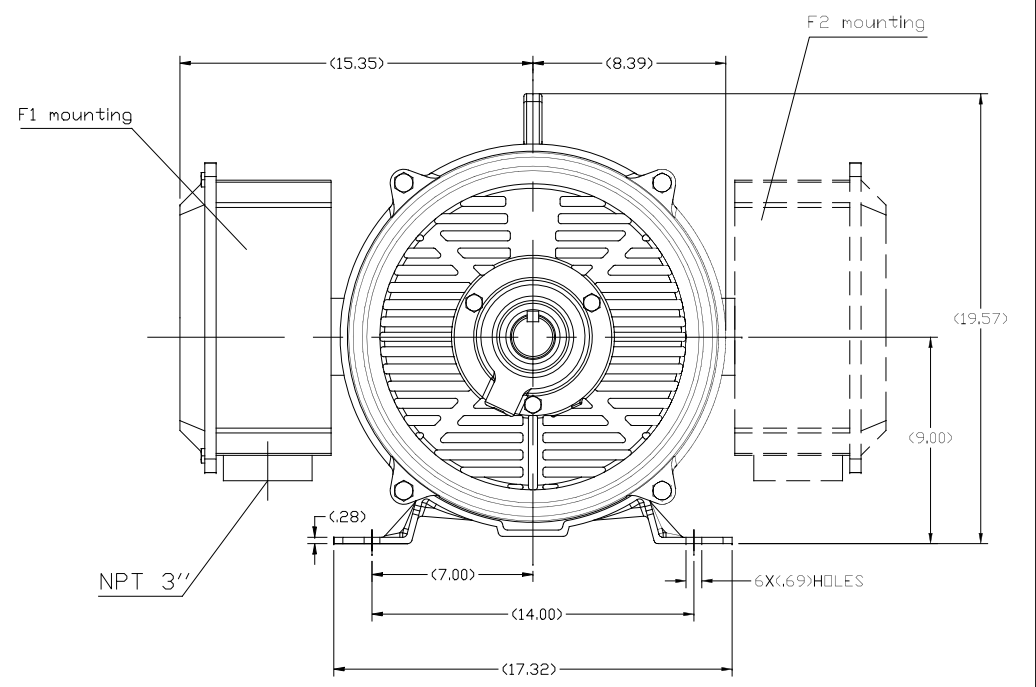
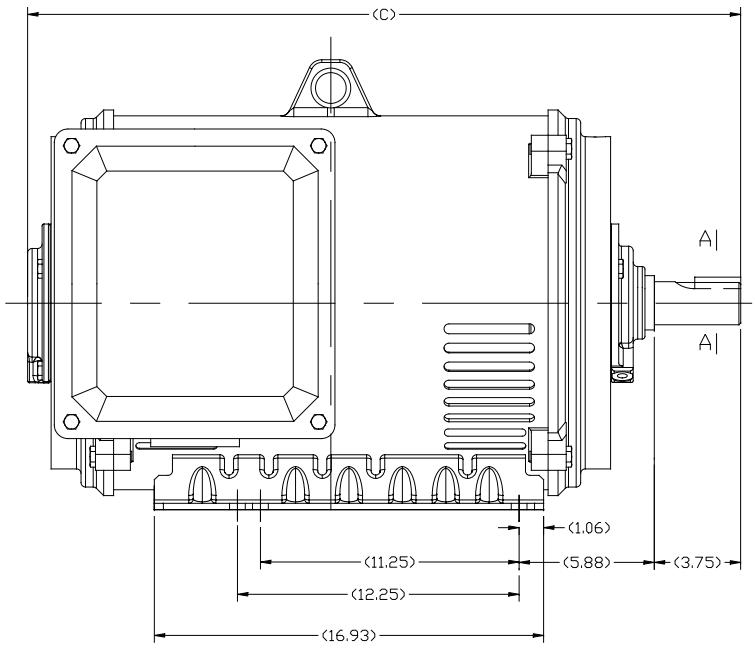
### Nameplate Specifications

Output HP	<b>75 Hp</b>	Output KW	<b>56.0 kW</b>
Frequency	<b>60 Hz</b>	Voltage	<b>190/380-400 V</b>
Current	<b>206.0/103.0-99.0 A</b>	Speed	<b>3568 rpm</b>
Service Factor	<b>1.15</b>	Phase	<b>3</b>
Efficiency	<b>93 %</b>	Duty	<b>Continuous</b>
Insulation Class	<b>F</b>	Design Code	<b>B</b>
KVA Code	<b>F</b>	Frame	<b>364TS</b>
Enclosure	<b>Drip Proof</b>	Overload Protector	<b>No</b>
Ambient Temperature	<b>50 °C</b>	Drive End Bearing Size	<b>6312</b>
Opp Drive End Bearing Size	<b>6312</b>	UL	<b>No</b>
CSA	<b>Y</b>	CE	<b>Y</b>
IP Code	<b>23</b>		

### Technical Specifications

Electrical Type	<b>Squirrel Cage Induction Run</b>	Starting Method	<b>Part Wdg Start &amp; Wye Start Delta Run</b>
Poles	<b>2</b>	Rotation	<b>Reversible</b>
Mounting	<b>Rigid base</b>	Motor Orientation	<b>HORIZONTAL</b>
Drive End Bearing	<b>BALL</b>	Opp Drive End Bearing	<b>BALL</b>
Frame Material	<b>Cast Iron</b>	Shaft Type	<b>TS</b>
Overall Length	<b>29.57 in</b>	Frame Length	<b>17.32 in</b>
Shaft Diameter	<b>1.875 in</b>	Shaft Extension	<b>3.75 in</b>
Assembly/Box Mounting	<b>F1/F2 CAPABLE</b>		
Outline Drawing	<b>SS620748-364TS</b>	Connection Diagram	<b>EE7308AA</b>

This is an uncontrolled document once printed or downloaded and is subject to change without notice. Date Created: 10/30/2018



364TS	29.57
365TS	31.14
FRAME	C

TOLERANCES UNLESS SPECIFIED		REGAL REGAL-BELOIT CORPORATION	DRAWN
DEC.	INCHES		CHK
.X	±.1	<b>REGAL</b> REGAL-BELOIT CORPORATION TITLE OUTLINE 364/365TS ODP-ROLLED STEEL MAT'L. FINISH	APPD
.XX	±.03		SCALE 1:1
.XXX	±.005		REF
.XXXX	±.0005		FMF REGAL-WUXI
NO.	REVISION	BY & DATE	CHK
THIS DRAWING IN DESIGN AND DETAIL IS OUR PROPERTY AND MUST NOT BE USED EXCEPT IN CONNECTION WITH OUR WORK ALL RIGHTS OF DESIGN AND INVENTION ARE RESERVED THIS IS AN ELECTRONICALLY GENERATED DOCUMENT - DO NOT SCALE THIS PRINT			RFP
		CAD FILE	SS620748
		SIZE	B
		DRAWING NO.	SS620748
		REV.	2
		DIST	



### LOW VOLTAGE

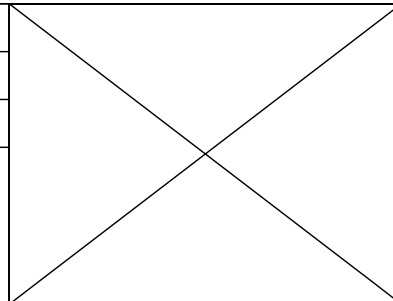


### HIGH VOLTAGE



### VIEW OF TERMINAL END

DRAWING REVISION <b>K</b>	REVISION BY <b>AJW</b>	DATE <b>07-17-2015</b>
ECO <b>ECO-0081632</b>	APPROVED BY <b>T. VUE</b>	DATE <b>07-17-2015</b>
ECO DESCRIPTION <b>REV'D IEC MARKINGS PER IEC 60034-8</b>		
<small>                     COPYRIGHT REGAL BELOIT AMERICA, INC. ALL RIGHTS RESERVED.                      PROPRIETARY AND CONFIDENTIAL INFORMATION - THIS DOCUMENT IS THE PROPERTY OF                      REGAL BELOIT AMERICA, INC. ("OWNER") AND CONTAINS OWNER'S PROPRIETARY                      INFORMATION. ANY PERSON, CORPORATION OR OTHER FIRM RECEIVING IT IS DEEMED,                      BY RECEIVING IT, TO AGREE THAT IT, AND/OR ANY PART OF IT, SHALL NOT BE DISCLOSED                      TO ANY PERSON, CORPORATION OR OTHER ENTITY, DUPLICATED, AND/OR USED, EXCEPT                      AS EXPRESSLY APPROVED IN WRITING IN ADVANCE BY OWNER. THIS DOCUMENT SHALL                      BE RETURNED TO OWNER UPON REQUEST. IT MAY BE SUBJECT TO CERTAIN                      RESTRICTIONS UNDER APPLICABLE EXPORT CONTROL LAWS AND REGULATIONS.                 </small>		



DRAWN BY <b>LZ</b>	<b>Regal Beloit America, Inc.</b>	
DATE <b>01-12-1994</b>		
APPROVED BY <b>GK</b>	<b>DESCRIPTION</b> <b>CONN DIAGRAM-EXTERNAL</b> <b>3Ø-2/1 DELTA-12 LEADS</b>	
DATE <b>01-14-1994</b>		
REFERENCE	MATERIAL	PROCESS/FINISH
THIRD ANGLE PROJECTION	SIZE <b>A</b>	DRAWING NUMBER <b>EE7308AA</b>
		SHEET <b>1 OF 1</b>



P.O. BOX 8003  
WAUSAU, WI 54401-8003  
PH. 715-675-3311

DATA VOLTS: 460

CERTIFICATION DATA SHEET

CUSTOMER P.O. #:   
 ORDER #: EE7308AA REFERENCE MODEL #: 364TSTDCC4024  
 CONN. DIAGRAM: SS620748 CAT #: U523A  
 OUTLINE: IE3L2252110 NONE 3 CUSTOMER PART #:   
 WINDING: IE3L2252110 MOUNTING: F1/F2 CAPABLE  
 SPEED:   
 TYPICAL MOTOR PERFORMANCE DATA

HP	KW	SYNC RPM	FL RPM	FRAME	ENCLOSURE	TYPE	KVA CODE	DESIGN
75	56	3600	3568	364TS	DP	TDC	F	B

PH	HZ	VOLTS	AMPS	START TYPE	DUTY	INSL	S.F.	AMB	ELEV.
3	60	190/380-400	206/103-99	WS(LV ONLV) & YDRU	CONT	F	1.15	50	3300
	F.L. EFF	93.0	3/4 LD EFF	93.0	1/2 LD EFF	92.4	GTD EFF	ELECT. TYPE	
	F.L. PF	88.0	3/4 LD PF	86.0	1/2 LD PF	80.0	91.7	SQ CAGE IND RUN	

F.L. TORQUE	LR AMPS @ 460 V	L.R. TORQUE	B.D. TORQUE	F.L. RISE (°C)
110 LB-FT	581	168 LB-FT	285 LB-FT	241%
@ 3 FT.	POWER	ROTOR WK <sup>2</sup>	MAX. LOAD WK <sup>2</sup>	SAFE STALL TIME
999 DBA	1008 DBA	0.00 LB-FT <sup>2</sup>	0 LB-FT <sup>2</sup>	20 SEC.
				START/SHOUR
				2
				MOTOR WGT
				0 LB.

\*\*\* SUPPLEMENTAL INFORMATION \*\*\*

DE BRACKET TYPE	ODE BRACKET TYPE	MOUNT TYPE	MOTOR ORIENTATION	SEVERE DUTY	HAZARDOUS LOCATION	DRIP COVER	SCREENS	PAINT
STANDARD	STANDARD	RIGID	HORIZONTAL	NO	NONE	NO	NONE	RED (ENAMEL)
BEARINGS	GREASE	SHAFT TYPE	SPECIAL DE	SPECIAL ODE	SHAFT	MATERIAL	FRAME MATERIAL	
DE BALL 6312	POLYREX EM	TS	NONE	NONE	1045 HOT ROLLED (C-204)		CAST IRON	

THERMOSTATS	PROTECTORS	WDG RTD's	BRG RTD's	THERMISTORS	CONTROL	SPACE HEATERS
NONE	NOT	NONE	NONE	NONE	FALSE	NA
R1 (ohms/ph)	R2 (ohms/ph)	X1 (ohms/ph)	X2 (ohms/ph)	Xm (ohms/ph)	VIBRATION (in/sec)	FLOAT
0.053	0.021	0.226	0.286	8.343	0.150	ODE

* N		INVERTER TORQUE: NONE	
O		INV. HP SPEED RANGE: NONE	
T		ENCODER: NONE	
E		NONE	
S		BRAKE: NONE	
		NONE	
		FT-LB: NA	
		VOLTAGE: NONE	
		UL: NONE	
		HZ:	

PREPARED BY: FAREEDA DUDEKULA  
 DATE: 8/29/2018  
 FORM: 3531 REV 4 2/27/06

Data Sheet

3641STD0CD4024



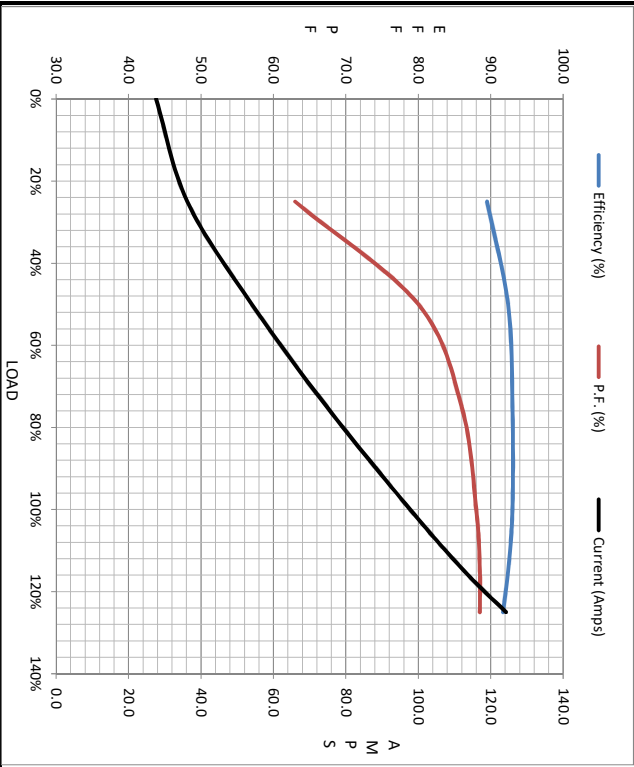
Submital

Data @ 400 V

Date: 8/29/2018  
 Customer:   
 Attention:   
 Submitted by: FAREEDA DUDEKULA

Load	Motor Load Data									
	0%	25%	50%	75%	100%	115%	125%	LR		
Current (Amps)	27.6	36.2	54.1	74.8	97.8	113	124	581		
Torque (ft-lb)	0.00	27.5	55.0	82.5	110	127	138	168		
RPM	3600	3590	3585	3575	3568	3562	3558	0		
Efficiency (%)		89.5	92.4	93.0	93.0	92.4	91.7			
P.F. (%)	7.5	63.0	80.0	86.0	88.0	88.5	88.5	33.0		

	Motor Speed Data					Information Block																			
	LR	Pull-Up	BD	Rated	Idle	HP	Frame	Enclosure	Construction	Voltage	Frequency	Design	LR Code letter	Service Factor	Temp Rise @ FL	Duty	Ambient	Elevation	Motor/Shaft wk <sup>2</sup>	Ret Wdg	Sound Pressure @ 1M	VFD Rating	Outline Dwg	Com. Diag	Additional Specifications:
Speed (RPM)	0	1800	3450	3568	3600	75.0	3641B2TFC080	DP	TDC	190/380-400	60	B	F	1.15	45	CONT	40	1,000	0.00	IE3L2252110	999	NONE	SS620748	EE7308AA	
Current (Amps)	581	518	357	97.8	27.6																				
Torque (ft-lb)	168	145	265	110	0.00																				



	R1	R2	X1	X2	Xm
EQUIV CKT (OHMS / PHASE)	0.0530	0.0210	0.2280	0.2860	8.3430

