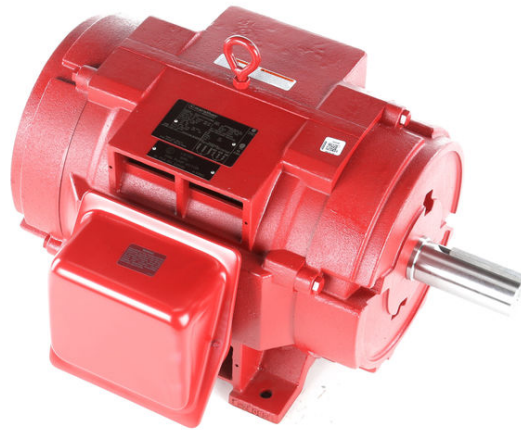


PRODUCT INFORMATION PACKET

marathon[®]
Motors

Model No: 326TTDCD4344
Catalog No: U515A
50,1800,DP,326T,3/60/190/380-400
Fire Pump



Regal and Marathon are trademarks of Regal Beloit Corporation or one of its affiliated companies.
©2018 Regal Beloit Corporation, All Rights Reserved. MC017097E

REGAL[®]

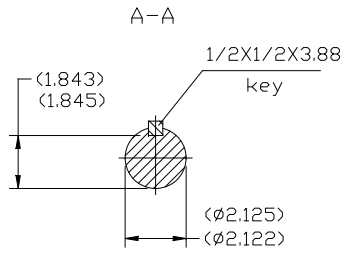
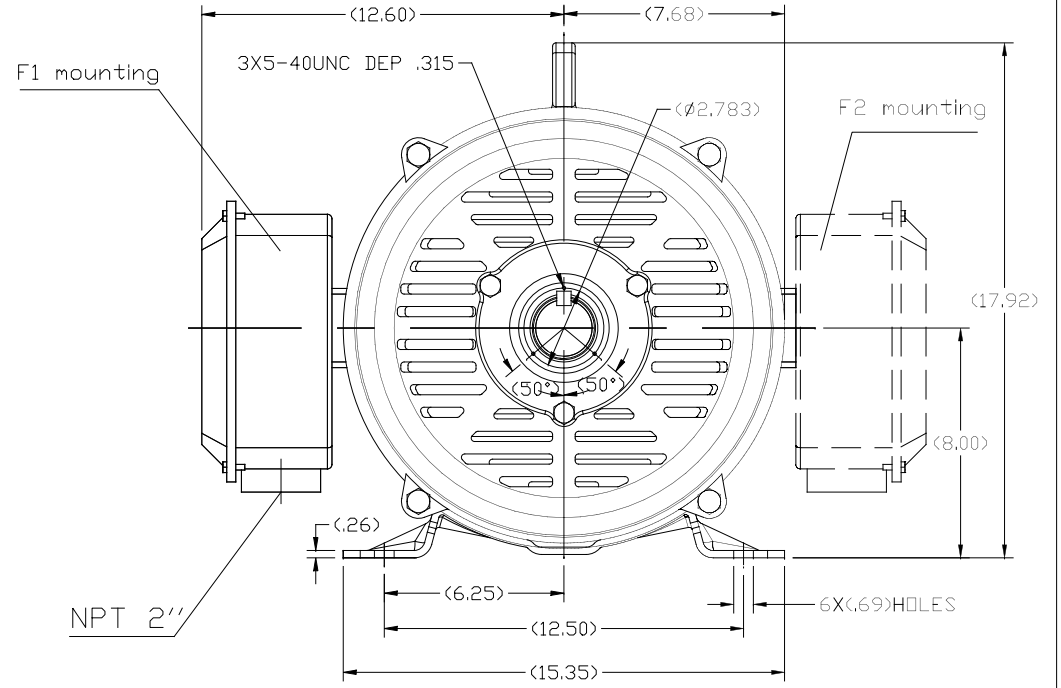
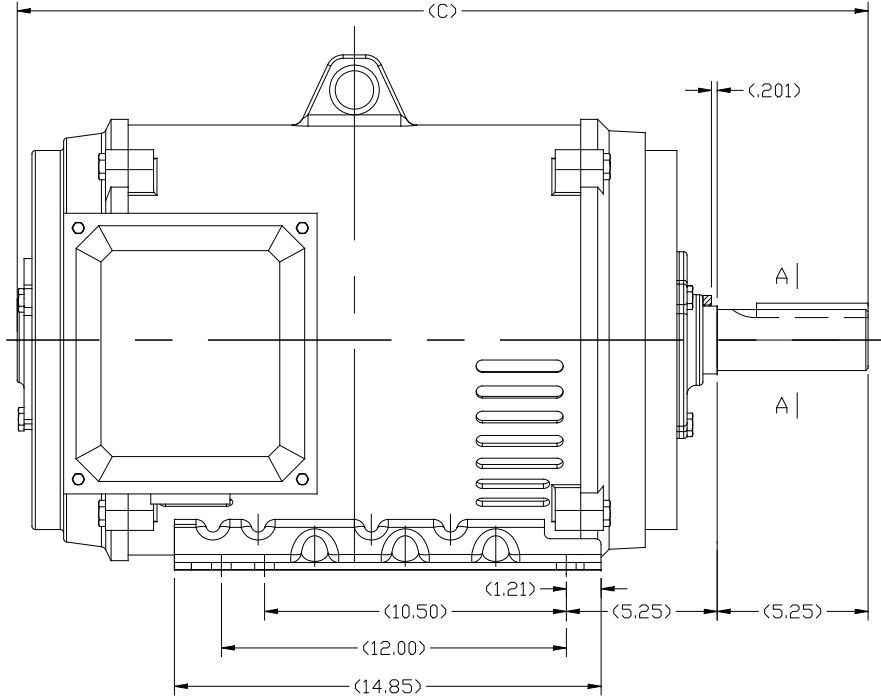


Nameplate Specifications

Output HP	50 Hp	Output KW	37.0 kW
Frequency	60 Hz	Voltage	190/380-400 V
Current	145.0/72.0-68.5 A	Speed	1775 rpm
Service Factor	1.15	Phase	3
Efficiency	93.6 %	Duty	Continuous
Insulation Class	F	Design Code	B
KVA Code	G	Frame	326T
Enclosure	Drip Proof	Overload Protector	No
Ambient Temperature	50 °C	Drive End Bearing Size	6312
Opp Drive End Bearing Size	6311	UL	No
CSA	Y	CE	Y
IP Code	23		

Technical Specifications

Electrical Type	Squirrel Cage Induction Run	Starting Method	Part Wdg Start Low Volt Only & Wye Start Delta Run
Poles	4	Rotation	Reversible
Mounting	Rigid base	Motor Orientation	HORIZONTAL
Drive End Bearing	BALL	Opp Drive End Bearing	BALL
Frame Material	Cast Iron	Shaft Type	T
Overall Length	29.73 in	Frame Length	15.74 in
Shaft Diameter	2.125 in	Shaft Extension	5.25 in
Assembly/Box Mounting	F1/F2 CAPABLE		
Outline Drawing	SS620746-326T	Connection Diagram	EE7308AA



324T	28.55
326T	29.73
FRAME	C

TOLERANCES UNLESS SPECIFIED		REGAL REGAL-BELOIT CORPORATION	DRAWN
DEC.	INCHES		Xiaowei Zhu
.X	±.1		CHK
.XX	±.03	TITLE	OUTLINE
.XXX	±.005		SCALE
.XXXX	±.0005	MAT'L.	324/326T ODP-ROLLED STEEL
		FINISH	FNF REGAL-WUXI
NO.	REVISION	BY & DATE	PREV
THIS DRAWING IN DESIGN AND DETAIL IS OUR PROPERTY AND MUST NOT BE USED EXCEPT IN CONNECTION WITH OUR WORK ALL RIGHTS OF DESIGN AND INVENTION ARE RESERVED THIS IS AN ELECTRONICALLY GENERATED DOCUMENT - DO NOT SCALE THIS PRINT			REV.
RFP	CAD FILE	SS620746	SIZE
DIST			B
			DRAWING NO.
			SS620746
			2



LOW VOLTAGE



HIGH VOLTAGE



DRAWING REVISION K	REVISION BY AJW	DATE 07-17-2015
ECO ECO-0081632	APPROVED BY T. VUE	DATE 07-17-2015
ECO DESCRIPTION REV'D IEC MARKINGS PER IEC 60034-8		
<small>COPYRIGHT REGAL BELOIT AMERICA, INC. ALL RIGHTS RESERVED. PROPRIETARY AND CONFIDENTIAL INFORMATION - THIS DOCUMENT IS THE PROPERTY OF REGAL BELOIT AMERICA, INC. ("OWNER") AND CONTAINS OWNER'S PROPRIETARY INFORMATION. ANY PERSON, CORPORATION OR OTHER FIRM RECEIVING IT IS DEEMED, BY RECEIVING IT, TO AGREE THAT IT, AND/OR ANY PART OF IT, SHALL NOT BE DISCLOSED TO ANY PERSON, CORPORATION OR OTHER ENTITY, DUPLICATED, AND/OR USED, EXCEPT AS EXPRESSLY APPROVED IN WRITING IN ADVANCE BY OWNER. THIS DOCUMENT SHALL BE RETURNED TO OWNER UPON REQUEST. IT MAY BE SUBJECT TO CERTAIN RESTRICTIONS UNDER APPLICABLE EXPORT CONTROL LAWS AND REGULATIONS.</small>		



DRAWN BY LZ	Regal Beloit America, Inc.	
DATE 01-12-1994		
APPROVED BY GK	DESCRIPTION CONN DIAGRAM-EXTERNAL 3Ø-2/1 DELTA-12 LEADS	
DATE 01-14-1994		
REFERENCE	MATERIAL	PROCESS/FINISH
THIRD ANGLE PROJECTION	SIZE A	DRAWING NUMBER EE7308AA
		SHEET 1 OF 1



P.O. BOX 8003
WAUSAU, WI 54401-8003
PH. 715-675-3311

DATA VOLTS: 460

CERTIFICATION DATA SHEET

CUSTOMER P.O. #:
 ORDER #: EE7308AA REFERENCE MODEL #: 326TTD0D4344
 CONN. DIAGRAM: SS620746 CAT #: U515A
 OUTLINE: IE2L2004101 NONE 3 CUSTOMER PART #:
 WINDING: IE2L2004101 NONE 3 MOUNTING: F1/F2 CAPABLE
 SPEED:
 TYPICAL MOTOR PERFORMANCE DATA

HP	KW	SYNC RPM	FL RPM	FRAME	ENCLOSURE	TYPE	KVA CODE	DESIGN	
50	37	1800	1775	328T	DP	TDC	G	B	
PH	HZ	VOLTS	AMPS	START TYPE	DUTY	INSL	S.F.	AMB	ELEV.
3	60	190/380-400	145/72-68.5	WS(LV ONLV) & YDRU	CONT	F	1.15	50	3300
F.L. EFF	93.6	3/4 LD EFF	93.6	1/2 LD EFF	93.0	GTD EFF	91.7	ELECT. TYPE	
F.L. PF	83.0	3/4 LD PF	81.0	1/2 LD PF	75.0	SQ CAGE IND RUN			
F.L. TORQUE	LR AMPS @ 460 V		L.R. TORQUE		B.D. TORQUE		F.L. RISE (°C)		
148 LB-FT	380	250 LB-FT	169%	325 LB-FT	220%	45			
@ 3 FT. DBA	POWER	ROTOR WK ²	MAX. LOAD WK ² <th>SAFE STALL TIME</th> <th>START/SHOUR</th> <th>MOTOR WGT</th> <td colspan="3"></td>	SAFE STALL TIME	START/SHOUR	MOTOR WGT			
75 DBA	84 DBA	0.00 LB-FT ²	250 LB-FT ²	20 SEC.	2	0 LB.			

*** SUPPLEMENTAL INFORMATION ***

DE BRACKET TYPE	ODE BRACKET TYPE	MOUNT TYPE	MOTOR ORIENTATION	SEVERE DUTY	HAZARDOUS LOCATION	DRIP COVER	SCREENS	PAINT
STANDARD	STANDARD	RIGID	HORIZONTAL	NO	NONE	NO	NONE	RED (ENAMEL)
BEARINGS		GREASE	SHAFT TYPE	SPECIAL DE	SPECIAL ODE	SHAFT	MATERIAL	FRAME MATERIAL
DE BALL 6312	ODE BALL 6311	POLYREX EM	T	NONE	NONE	1045 HOT ROLLED (C-204)		CAST IRON
THERMOSTATS	PROTECTORS	WDG RTD's	BRG RTD's	THERMISTORS	CONTROL	SPACE HEATERS		
NONE	NOT	NONE	NONE	NONE	FALSE	NA		
R1 (ohms/ph)	R2 (ohms/ph)	X1 (ohms/ph)	X2 (ohms/ph)	Xm (ohms/ph)	VIBRATION (in/sec)	FLOAT		
0.094	0.051	0.394	0.489	10.761	0.150	ODE		

* N		INVERTER TORQUE: NONE	
O		INV. HP SPEED RANGE: NONE	
T		ENCODER: NONE	
E		BRAKE: NONE	
S		FT-LB: NONE	
		VOLTAGE: NONE	
		HZ: NONE	

PREPARED BY: FAREEDA DUDEKULA
 DATE: 9/19/2018
 FORM: 3531 REV 4 2/27/06

