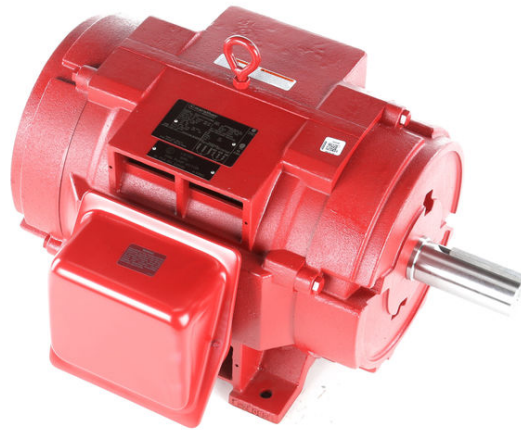


PRODUCT INFORMATION PACKET

marathon[®]
Motors

Model No: 324TTDCD4038
Catalog No: U510A
40,1800,DP,324T,3/60/230/460
Fire Pump



Regal and Marathon are trademarks of Regal Beloit Corporation or one of its affiliated companies.
©2018 Regal Beloit Corporation, All Rights Reserved. MC017097E

REGAL[®]

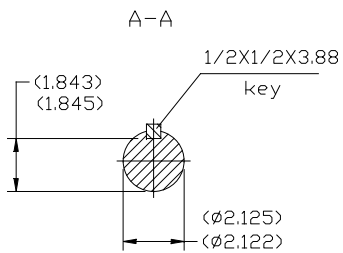
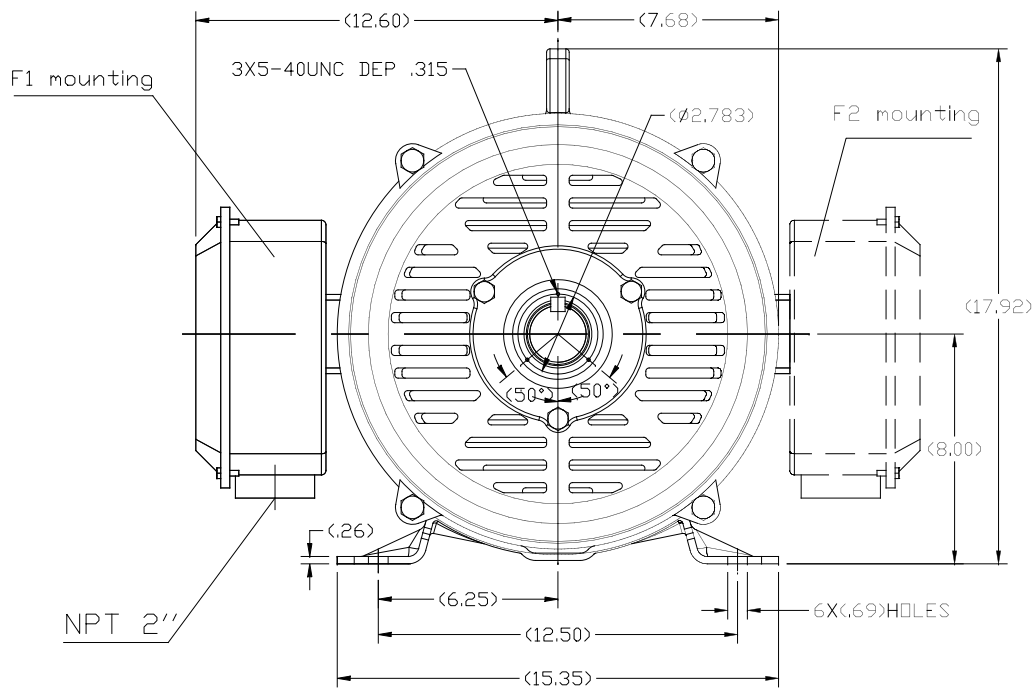
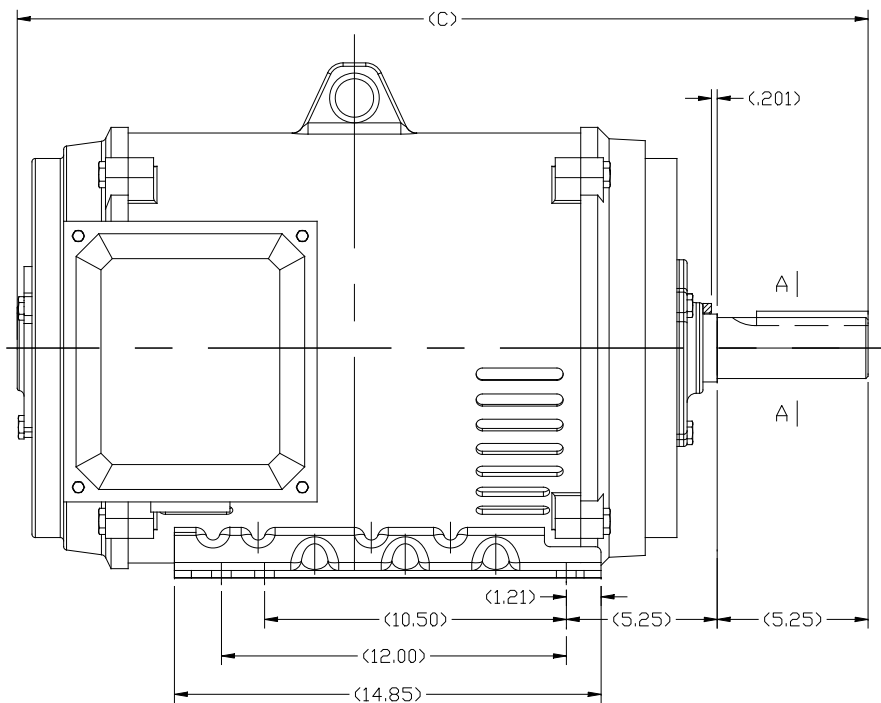


Nameplate Specifications

Output HP	40 Hp	Output KW	30.0 kW
Frequency	60 Hz	Voltage	230/460 V
Current	94.0/47.0 A	Speed	1775 rpm
Service Factor	1.15	Phase	3
Efficiency	93 %	Duty	Continuous
Insulation Class	F	Design Code	B
KVA Code	F	Frame	324T
Enclosure	Drip Proof	Overload Protector	No
Ambient Temperature	50 °C	Drive End Bearing Size	6312
Opp Drive End Bearing Size	6311	UL	No
CSA	Y	CE	Y
IP Code	23		

Technical Specifications

Electrical Type	Squirrel Cage Induction Run	Starting Method	Part Wdg Start Low Volt Only & Wye Start Delta Run
Poles	4	Rotation	Reversible
Mounting	Rigid base	Motor Orientation	HORIZONTAL
Drive End Bearing	BALL	Opp Drive End Bearing	BALL
Frame Material	Cast Iron	Shaft Type	T
Overall Length	28.55 in	Frame Length	14.46 in
Shaft Diameter	2.125 in	Shaft Extension	5.25 in
Assembly/Box Mounting	F1/F2 CAPABLE		
Outline Drawing	SS620746-324T	Connection Diagram	EE7308AA



324T	28.55
326T	29.73
FRAME	C

TOLERANCES UNLESS SPECIFIED		REGAL REGAL-BELOIT CORPORATION	DRAWN
DEC.	INCHES		Xiaowei Zhu
.X	±.1	TITLE 324/326T ODP-ROLLED STEEL	CHK
.XX	±.03		APPD
.XXX	±.005		SCALE
.XXXX	±.0005		REF
NO.	REVISION	MAT'L.	FMF REGAL-WUXI
	BY & DATE	FINISH	PREV
THIS DRAWING IN DESIGN AND DETAIL IS OUR PROPERTY AND MUST NOT BE USED EXCEPT IN CONNECTION WITH OUR WORK ALL RIGHTS OF DESIGN AND INVENTION ARE RESERVED THIS IS AN ELECTRONICALLY GENERATED DOCUMENT - DO NOT SCALE THIS PRINT		RFP	CAD FILE
		DIST	SS620746
		SIZE	B
		DRAWING NO.	SS620746
		REV.	2



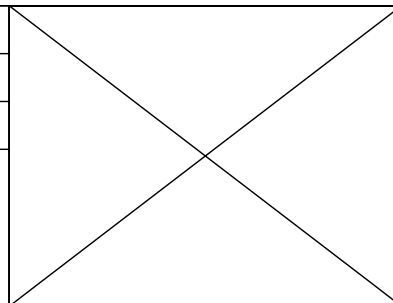
LOW VOLTAGE



HIGH VOLTAGE



DRAWING REVISION K	REVISION BY AJW	DATE 07-17-2015
ECO ECO-0081632	APPROVED BY T. VUE	DATE 07-17-2015
ECO DESCRIPTION REV'D IEC MARKINGS PER IEC 60034-8		
COPYRIGHT REGAL BELOIT AMERICA, INC. ALL RIGHTS RESERVED. PROPRIETARY AND CONFIDENTIAL INFORMATION - THIS DOCUMENT IS THE PROPERTY OF REGAL BELOIT AMERICA, INC. ("OWNER") AND CONTAINS OWNER'S PROPRIETARY INFORMATION. ANY PERSON, CORPORATION OR OTHER FIRM RECEIVING IT IS DEEMED, BY RECEIVING IT, TO AGREE THAT IT, AND/OR ANY PART OF IT, SHALL NOT BE DISCLOSED TO ANY PERSON, CORPORATION OR OTHER ENTITY, DUPLICATED, AND/OR USED, EXCEPT AS EXPRESSLY APPROVED IN WRITING IN ADVANCE BY OWNER. THIS DOCUMENT SHALL BE RETURNED TO OWNER UPON REQUEST. IT MAY BE SUBJECT TO CERTAIN RESTRICTIONS UNDER APPLICABLE EXPORT CONTROL LAWS AND REGULATIONS.		



DRAWN BY LZ	Regal Beloit America, Inc.	
DATE 01-12-1994		
APPROVED BY GK	DESCRIPTION CONN DIAGRAM-EXTERNAL 3Ø-2/1 DELTA-12 LEADS	
DATE 01-14-1994	MATERIAL	PROCESS/FINISH
REFERENCE	SIZE A	DRAWING NUMBER EE7308AA
THIRD ANGLE PROJECTION	SHEET 1 OF 1	



P.O. BOX 8003
WAUSAU, WI 54401-8003
PH. 715-675-3311

DATA VOLTS: 460

CERTIFICATION DATA SHEET

CUSTOMER P.O. #:
 ORDER #: EE7308AA REFERENCE MODEL #: 324TTDOD4038
 CONN. DIAGRAM: SS620746 CAT #: U510A
 OUTLINE: IE2L2004102 NONE 2 CUSTOMER PART #:
 WINDING: IE2L2004102 NONE 2 MOUNTING: F1/F2 CAPABLE
 SPEED:
 TYPICAL MOTOR PERFORMANCE DATA

HP	KW	SYNC RPM	FL RPM	FRAME	ENCLOSURE	TYPE	KVA CODE	DESIGN
40	30	1800	1775	324T	DP	TDC	F	B

PH	HZ	VOLTS	AMPS	START TYPE	DUTY	INSL	S.F.	AMB	ELEV.
3	60/50	230/460#190/380	94.4/888/43	WS(LV ONLY) & YDRU	CONT	F	1.15	50	3300
	F.L. EFF	93.0	3/4 LD EFF	93.0	1/2 LD EFF	92.4	GTD EFF	ELECT. TYPE	
	F.L. PF	85.0	3/4 LD PF	82.0	1/2 LD PF	75.0	93.6	SQ CAGE IND RUN	

F.L. TORQUE	LR AMPS @ 460 V	L.R. TORQUE	B.D. TORQUE	F.L. RISE (°C)
118 LB-FT	270	195 LB-FT	185%	285 LB-FT
@ 3 FT.	POWER	ROTOR WK ²	MAX. LOAD WK ²	SAFE STALL TIME
75 DBA	84 DBA	0.00 LB-FT ²	0 LB-FT ²	20 SEC.
				START/SHOUR
				2
				MOTOR WGT
				0 LB.

*** SUPPLEMENTAL INFORMATION ***

DE BRACKET TYPE	ODE BRACKET TYPE	MOUNT TYPE	MOTOR ORIENTATION	SEVERE DUTY	HAZARDOUS LOCATION	DRIP COVER	SCREENS	PAINT
STANDARD	STANDARD	RIGID	HORIZONTAL	NO	NONE	NO	NONE	RED (ENAMEL)
BEARINGS	GREASE	SHAFT TYPE	SPECIAL DE	SPECIAL ODE	SHAFT	MATERIAL	FRAME MATERIAL	
DE BALL 6312	BALL POLYREX EM	T	NONE	NONE	1045 HOT ROLLED (C-204)		CAST IRON	

THERMOSTATS	PROTECTORS	WDG RTD's	BRG RTD's	THERMISTORS	CONTROL	SPACE HEATERS
NONE	NOT	NONE	NONE	NONE	FALSE	NA
R1 (ohms/ph)	R2 (ohms/ph)	X1 (ohms/ph)	X2 (ohms/ph)	Xm (ohms/ph)	VIBRATION (in/sec)	FLOAT
0.156	0.078	0.638	0.752	17.023	0.150	ODE

* N		INVERTER TORQUE: NONE	
O		INV. HP SPEED RANGE: NONE	
T		ENCODER: NONE	
E		NONE	
S		BRAKE: NONE	
		NONE	
		FT-LB: NA	
		VOLTAGE: NONE	
		NONE	
		HZ:	

PREPARED BY: FAREEDA DUDEKULA
 DATE: 8/21/2018
 FORM: 3531 REV 4 2/27/06
 UL: NONE

Data Sheet

324TDCD4038



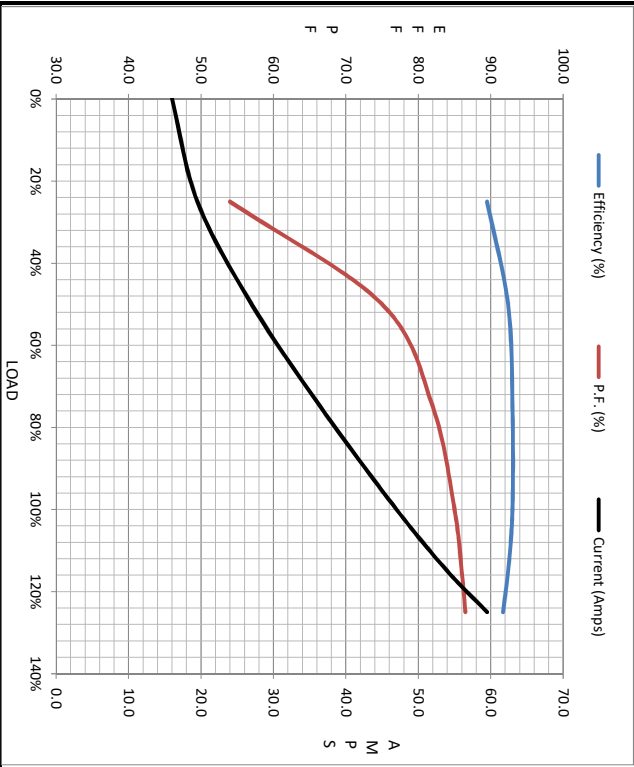
Submital
Data @ 460 V

Date: 8/21/2018
Customer:
Attention:
Submitted by: FAREEDA DUDEKULA

Motor Load Data									
Load	0%	25%	50%	75%	100%	115%	125%	LR	
Current (Amps)	16.0	19.5	27.0	36.5	47.0	54.0	59.5	270	
Torque (ft-lb)	0.00	29.5	59.0	88.5	118	136	149	195	
RPM	1800	1795	1790	1782	1775	1,770	1768	0	
Efficiency (%)		89.5	92.4	93.0	93.0	92.4	91.7		
P.F. (%)	5.5	54.0	75.0	82.0	85.0	86.0	86.5	38.0	

Motor Speed Data					
	LR	Pull-Up	BD	Rated	Idle
Speed (RPM)	0	900	1685	1775	1800
Current (Amps)	270	250	155	47.0	16.0
Torque (ft-lb)	195	171	265	118	0.00

Information Block				
HP	40.0			
Sync. RPM	1800			
Frame	324182TFC080			
Enclosure	DP			
Construction	TDC			
Voltage	230/460#190/380 V			
Frequency	60 Hz			
Design	B			
LR Code letter	F			
Service Factor	1.15			
Temp Rise @ FL	40 °C			
Duty	CONT			
Ambient	40 °C			
Elevation	1,000 feet			
Rotor/Shaft wk ²	0.00 Lb-Ft ²			
Ret Wdg	IE2L2004102 NONE			
Sound Pressure @ 1M	75 DBA			
VFD Rating	NONE			
Outline Dwg	SS620746			
Conn. Diag	EE7308AA			
Additional Specifications:				
0				
0				
R1	R2	X1	X2	Xm
0.1560	0.0780	0.6380	0.7520	17.0230



EQUIV CKT (OHMS / PHASE)				
R1	R2	X1	X2	Xm
0.1560	0.0780	0.6380	0.7520	17.0230

