

PRODUCT INFORMATION PACKET

marathon[®]
Motors

Model No: 444TSTDS16034
Catalog No: U456A
150,1800,DP,444TS,3/60/460YD
Open Drip Proof (ODP)



Regal and Marathon are trademarks of Regal Beloit Corporation or one of its affiliated companies.
©2018 Regal Beloit Corporation, All Rights Reserved. MC017097E

REGAL[®]

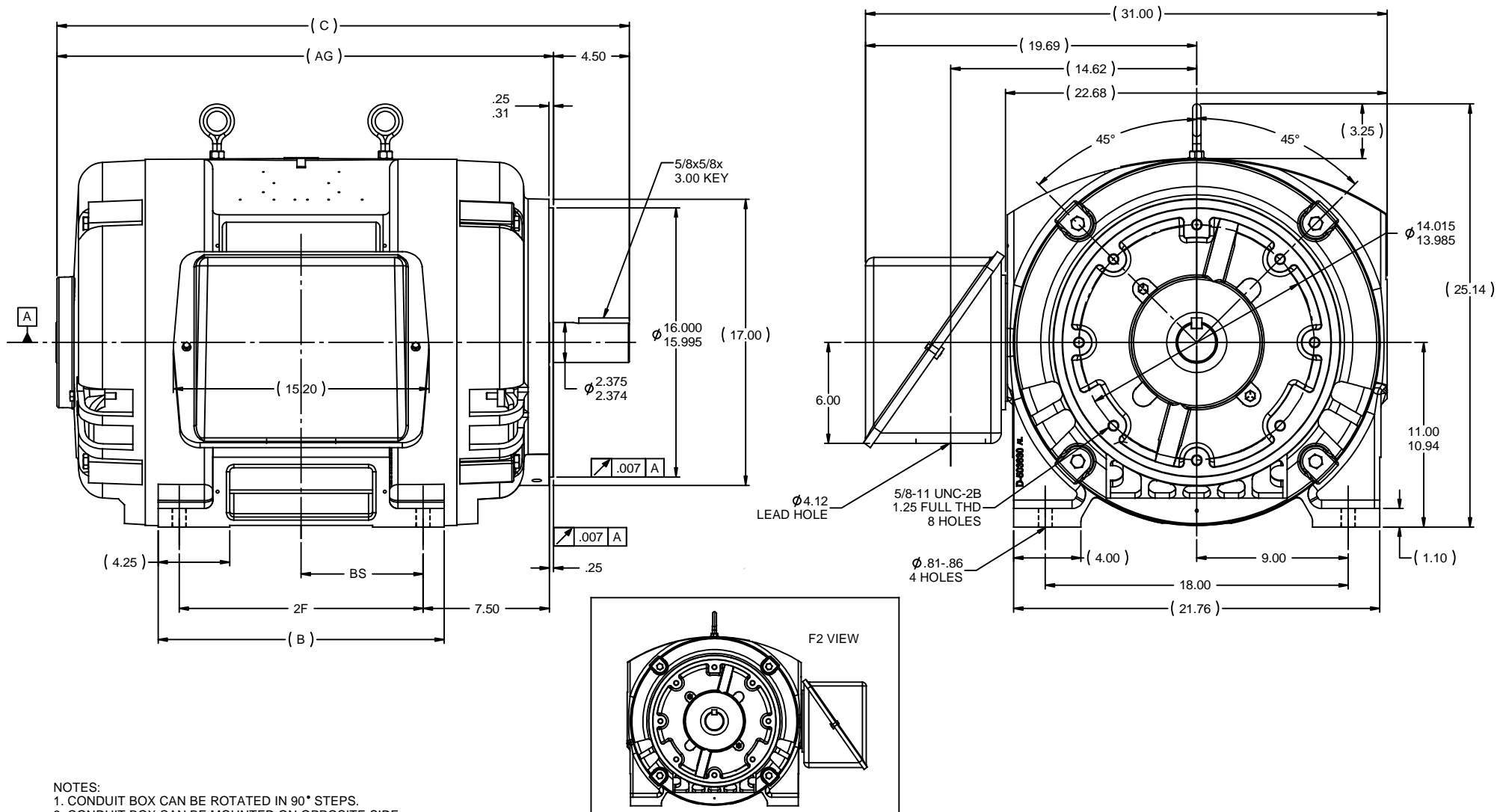


Nameplate Specifications

Output HP	150 Hp	Output KW	112 kW
Frequency	60 Hz	Voltage	460 V
Current	170 A	Speed	1785 rpm
Service Factor	1.15	Phase	3
Efficiency	95.8 %	Duty	CONTINUOUS
Insulation Class	F	Design Code	B
KVA Code	F	Frame	444TSC
Enclosure	DP	Overload Protector	NOT
Ambient Temperature	40 °C	Drive End Bearing Size	6313
Opp Drive End Bearing Size	6313	UL	Recognized
CSA	Y	CE	Y
IP Code	12		

Technical Specifications

Electrical Type	SQ CAGE IND RUN	Starting Method	WYE START DELTA RUN
Poles	4	Rotation	REV
Mounting	RIGID	Motor Orientation	HORIZONTAL
Drive End Bearing	BALL	Opp Drive End Bearing	BALL
Frame Material	CAST IRON	Shaft Type	TS
Overall Length	34 in	Frame Length	18.5 in
Shaft Diameter	3.38 in	Shaft Extension	4.75 in
Assembly/Box Mounting	F1/F2 CAPABLE		
Outline Drawing	B-SS509474-1850	Connection Diagram	A-EE7340



- NOTES:
 1. CONDUIT BOX CAN BE ROTATED IN 90° STEPS.
 2. CONDUIT BOX CAN BE MOUNTED ON OPPOSITE SIDE BY REMOVING BRACKETS AND TURNING FRAME 180°.
 3. NAMEPLATES TO BE READ FROM CONDUIT BOX SIDE OF MOTOR.

DASH	FRAME	B	C	AG	2F	BS
1850	444TSC	17.00	34.00	29.50	14.50	7.25
2050	445TSC	19.00	36.00	31.50	16.50	8.25

REVISION		BY & DATE	CHK	ANG	±7'30"	FINISH	SIZE	DRAWING NO	REV
9	REDRAWN IN SOLIDWORKS	JSB 09-13-2011	XX	DEC	INCHES		B	SS509474	9
8	ADDED F2 VIEW	CDP 09-08-2011	CMN	X	±.1				
7	UPDATED FRAME AND CONDUIT BOX CN 28063	KL 10-21-2004	XX	XX	±.03	TITLE OUTLINE			
6	REDRAWN IN AUTOCAD	TAT 06-29-2004	ML	XXX	±.005	440TSC FR. - DR.PR. - C'FACE			
5	REDRAWN ON CADD	TBL 03-16-1988	XXX	XXX	±.0005	MAT'L			



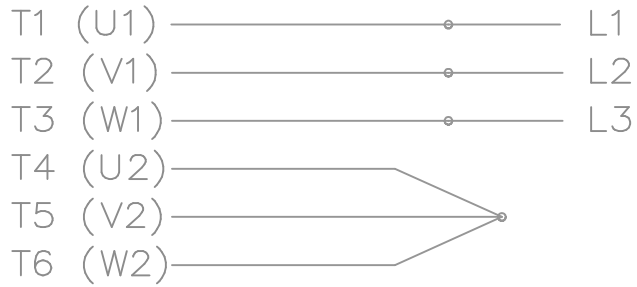
DRAWN TBL 03-16-1988
 CHK FG 03-16-1988
 APPR ML 03-16-1988

SCALE 1:5.5
 REF
 FMF

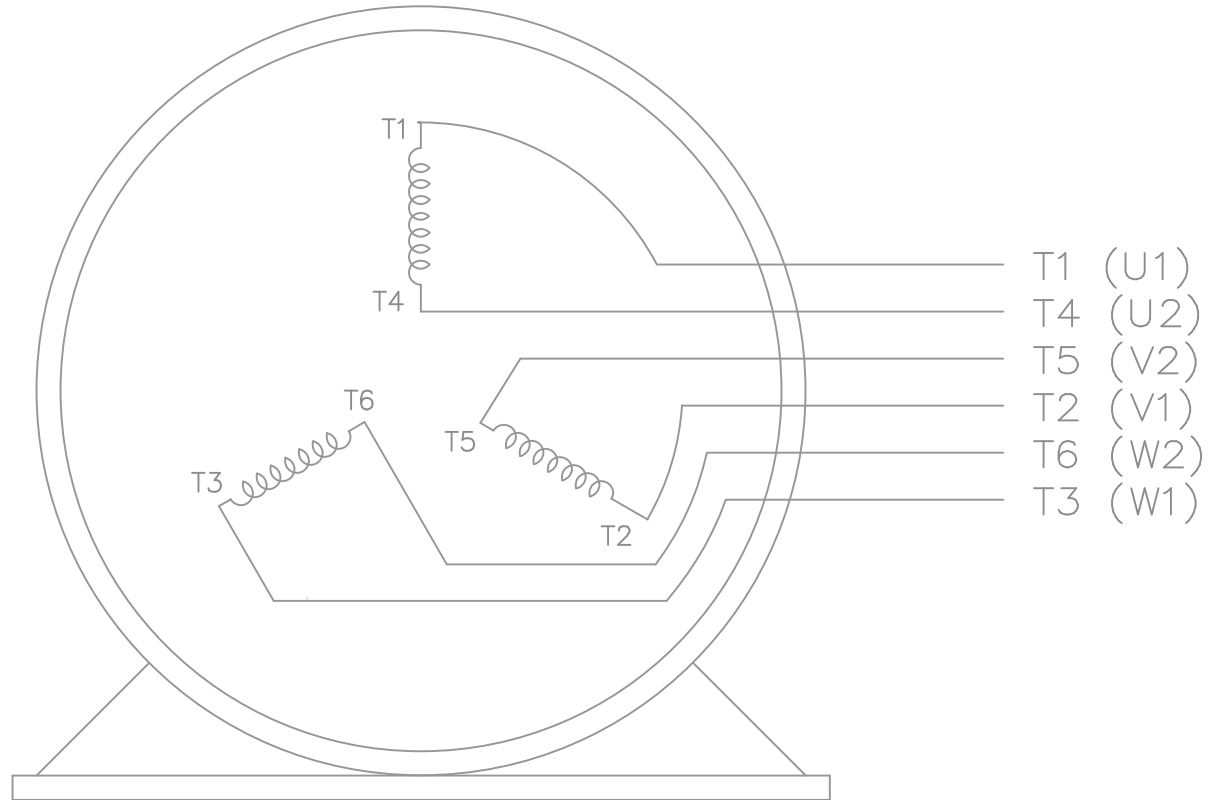
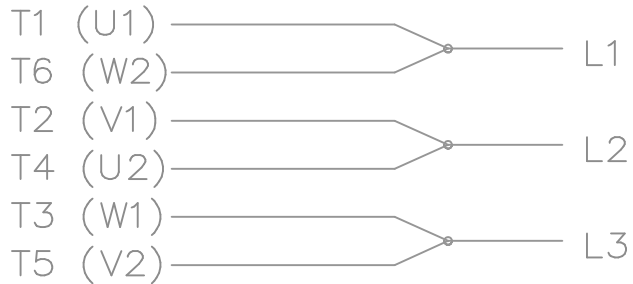
PAGE OF
 SIZE B
 DRAWING NO SS509474
 REV 9

THREE PHASE
WYE START DELTA RUN

START




RUN



VIEW OF TERMINAL END

NOTE:
IEC LEAD MARKINGS ARE NOTED
IN PARANTHESES

			TOLERANCES UNLESS SPECIFIED			DRAWN LZ 01-06-1994		
			DEC.	INCHES		CHK ML 01-18-1994		
			.X	± -		APPD GK 01-18-1994		
3	ADDED IEC NOTE & MARKINGS MU48195	KL 09-23-2003	.XX	± -	TITLE CONNECTION DIAGRAM	SCALE 1=1		
2	REVISED DRAWING MISTAKE CN 29200-2980	ERH 05-15-2003	.XXX	± -	3φ - WYE START DELTA RUN	REF		
1	REDRAWN	LZ 01-24-1994	.XXXX	± -	MAT'L.	FMF		
NO.	REVISION	BY & DATE	CHK	ANG	FINISH	PREV		
THIS DRAWING IN DESIGN AND DETAIL IS OUR PROPERTY AND MUST NOT BE USED EXCEPT IN CONNECTION WITH OUR WORK ALL RIGHTS OF DESIGN AND INVENTION ARE RESERVED THIS IS AN ELECTRONICALLY GENERATED DOCUMENT - DO NOT SCALE THIS PRINT			RFP	CAD FILE EE7340		SIZE A	DRAWING NO. EE7340	PAGE OF 3
			DIST	WA-LB-SB				REV. 3