

PRODUCT INFORMATION PACKET

Model No: 182TTTN16571
Catalog No: U1867
3,1800,TEAO,182T,3/60/230/460
Other Purpose



Regal and Marathon are trademarks of Regal Beloit Corporation or one of its affiliated companies.
©2018 Regal Beloit Corporation, All Rights Reserved. MC017097E





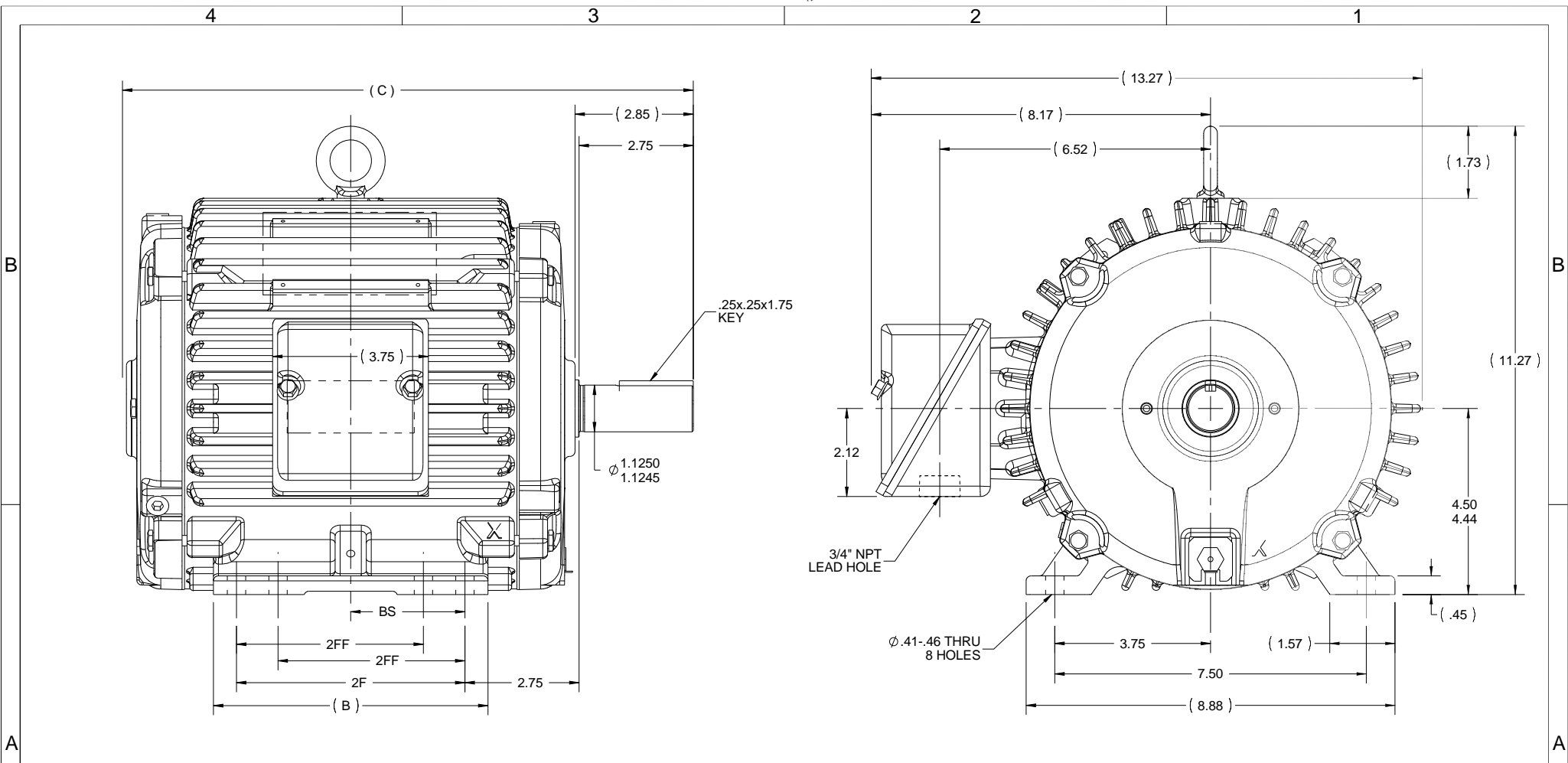
Nameplate Specifications

Output HP	3 Hp	Output KW	2.24 kW
Frequency	60 Hz	Voltage	230/460 V
Current	8/4 A	Speed	1760 rpm
Service Factor	1.15	Phase	3
Efficiency	90.2 %	Duty	CONTINUOUS
Insulation Class	F	Design Code	B
KVA Code	K	Frame	182TV
Enclosure	TEAO	Overload Protector	NOT
Ambient Temperature	40 °C	Drive End Bearing Size	6206
Opp Drive End Bearing Size	6206	UL	Recognized
CSA	Y	CE	N
IP Code	56		

Technical Specifications

Electrical Type	SQ CAGE INV RATED	Starting Method	LINE OR INVERTER
Poles	4	Rotation	REV
Mounting	RIGID	Motor Orientation	HORIZONTAL OR UP OR DOWN
Drive End Bearing	BALL	Opp Drive End Bearing	BALL
Frame Material	CAST IRON	Shaft Type	T
Overall Length	13.74 in	Frame Length	8 in
Shaft Diameter	1.13 in	Shaft Extension	2.85 in
Assembly/Box Mounting	F1/F2 CAPABLE		
Outline Drawing	035670-800	Connection Diagram	A-EE7308

This is an uncontrolled document once printed or downloaded and is subject to change without notice. Date Created: 04/05/2018



- NOTES:
 1. NAMEPLATE TO BE READ FROM CONDUIT BOX SIDE OF MOTOR.
 2. CONDUIT BOX CAN ROTATED IN 90° STEPS.
 3. CONDUIT BOX CAN BE MOUNTED ON OPPOSITE SIDE BY REMOVING BRACKETS AND TURNING FRAME 180°

DRAWING REVISION C	REVISION BY SS	DATE 05/31/16
ECO ECO-0101042	APPROVED BY GR	DATE 05/31/16
ECO DESCRIPTION TEMPLATE UPDATED.		
<small>COPYRIGHT REGAL BELOIT AMERICA, INC. ALL RIGHTS RESERVED. PROPRIETARY AND CONFIDENTIAL INFORMATION - THIS DOCUMENT IS THE PROPERTY OF REGAL BELOIT AMERICA, INC. ('OWNER') AND CONTAINS OWNER'S PROPRIETARY INFORMATION. ANY PERSON, CORPORATION OR OTHER FIRM RECEIVING IT IS DEEMED, BY RECEIVING IT, TO AGREE THAT IT, AND/OR ANY PART OF IT, SHALL NOT BE DISCLOSED TO ANY PERSON, CORPORATION OR OTHER ENTITY, DUPLICATED, AND/OR USED, EXCEPT AS EXPRESSLY APPROVED IN WRITING IN ADVANCE BY OWNER. THIS DOCUMENT SHALL BE RETURNED TO OWNER UPON REQUEST. IT MAY BE SUBJECT TO CERTAIN RESTRICTIONS UNDER APPLICABLE EXPORT CONTROL LAWS AND REGULATIONS.</small>		

TOLERANCES UNLESS OTHERWISE SPECIFIED:			
DEC.	INCH	mm	ANGLE
.X	+0.1	[+2.5]	±0.5°
.XX	+0.01	[+0.25]	
.XXX	+0.005	[+0.127]	
.XXXX	+0.0005	[+0.0127]	
REMOVE BURRS & BREAK SHARP EDGES: .003/.015 [.076/.381] X 45°			
CORNER FILLETS: R.02 [.51]			
MACHINED SURFACES: 125/3.2			
mm SHOWN IN [BRACKETS]			

DRAWN BY TJW
DATE 3/25/2008
APPROVED BY SW
DATE 3/26/2008
REFERENCE
THIRD ANGLE PROJECTION

Regal Beloit America, Inc.	
DESCRIPTION OUTLINE 180 FR. - CAST C'BOX	
MATERIAL	PROCESS/FINISH
SIZE B	DRAWING NUMBER 035670
	SHEET 1 OF 1

1000	182/184	15.74	8.61	7.50	5.50	3.75
800	182/184	13.74	6.61	5.50	4.50	2.75
DASH	FRAME	C	B	2F	2FF	BS

EE7308

THREE PHASE
DUAL VOLTAGE MOTOR



VIEW OF TERMINAL END

REF.
WINDING DIAGRAM

T8Y, T2Y, T2BL, T4BX, T2EC, T2G
T6BZ, T2B, T6BL, T4AV, T6B, T4B

OPTIONAL CORD
CONNECTION

L1 — WHITE
L2 — RED
L3 — BLACK

NO.	REVISION	BY & DATE	CHK	ANG	TOLERANCES UNLESS SPECIFIED		FINISH	DRAWN RM 11/20/1990				
					DEC.	INCHES						
5	CHG TO REGAL LOGO	SL 09/10/2015	AB					CHK ML 11/21/1990				
4	REVISED IEC NOTATIONS	MSG 11/15/2011	CMN	.X	±.1			APPD SAS 04/24/2003				
3	ADDED IEC NOTATIONS... (U1), (V1) ETC. MU95194	MSG 5/10/2010	MJS	.XX	±.02			SCALE 1=1				
2	ADDED THE OPTIONAL CORD CONNECTION MU46318	RDH 04/24/2003	DRS	.XXX	±.005		TITLE CONNECTION DIAGRAM 3Ø - DUAL VOLTAGE MOTOR	REF				
1	REDRAWN	RM 11/20/1990		.XXXX	±.0005		MAT'L.	FMF				
					±7'30"			PREV				
THIS DRAWING IN DESIGN AND DETAIL IS OUR PROPERTY AND MUST NOT BE USED EXCEPT IN CONNECTION WITH OUR WORK ALL RIGHTS OF DESIGN AND INVENTION ARE RESERVED THIS IS AN ELECTRONICALLY GENERATED DOCUMENT - DO NOT SCALE THIS PRINT							RFP	CAD FILE ee7308	SIZE A	DRAWING NO. EE7308	PAGE OF 5	REV. 5
							DIST WP					



** Subject to change without notice.

Data Sheet

Date: 20-06-2017
 Customer: _____
 Attention: _____
 Submitted by: FAREEDA DUDEKULA



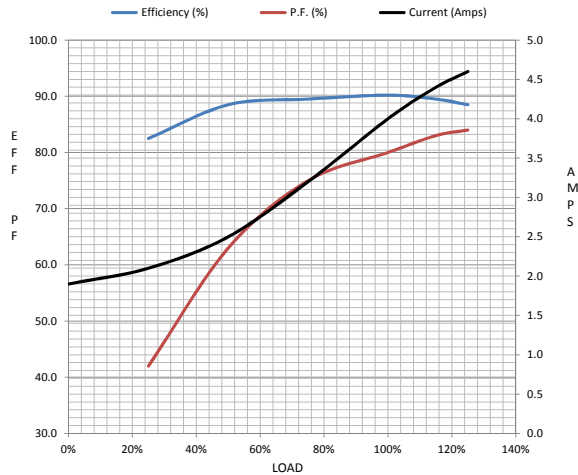
182TTN16571

Submittal

Data @ 460 V

Motor Load Data									
Load	0%	25%	50%	75%	100%	115%	125%	LR	
Current (Amps)	1.90	2.10	2.50	3.2	4.0	4.4	4.6	32.0	
Torque (ft-lb)	0.00	2.20	4.4	6.7	9.0	10.4	11.2	22.5	
RPM	1800	1790	1780	1770	1760	1,755	1750	0	
Efficiency (%)		82.5	88.5	89.5	90.2	89.5	88.5		
P.F. (%)	6.5	42.0	63.0	75.0	80.0	83.0	84.0	47.0	

Motor Speed Data						Information Block				
	LR	Pull-Up	BD	Rated	Idle					
Speed (RPM)	0	750	1500	1760	1800	HP	3.0			
Current (Amps)	32.0	30.0	23.0	4.0	1.90	Sync. RPM	1800			
Torque (ft-lb)	22.5	20.0	35.0	9.0	0.00	Frame	182			
						Enclosure	TEAO			
						Construction	TTS			
						Voltage	30/460#190/38V			
						Frequency	60 Hz			
						Design	B			
						LR Code letter	K			
						Service Factor	1.15			
						Temp Rise @ FL	0 ° C			
						Duty	CONT AOM			
						Ambient	40 ° C			
						Elevation	1,000 feet			
						Rotor/Shaft wk²	0.40 Lb-Ft²			
						Ref Wdg	K1824116 R21			
						Sound Pressure @ 1M	999 dBA			
						VFD Rating	CONSTANT 20:1			
						Outline Dwg	035670-800			
						Conn. Diag	A-EE7308			
						Additional Specifications:				
						0				
						365THFS8036				
						EQUIV CKT (OHMS / PHASE)				
						R1	R2	X1	X2	Xm
						2.3630	1.6070	5.1030	7.9380	130.4100



HP	3.0			
Sync. RPM	1800			
Frame	182			
Enclosure	TEAO			
Construction	TTS			
Voltage	30/460#190/38V			
Frequency	60 Hz			
Design	B			
LR Code letter	K			
Service Factor	1.15			
Temp Rise @ FL	0 ° C			
Duty	CONT AOM			
Ambient	40 ° C			
Elevation	1,000 feet			
Rotor/Shaft wk²	0.40 Lb-Ft²			
Ref Wdg	K1824116 R21			
Sound Pressure @ 1M	999 dBA			
VFD Rating	CONSTANT 20:1			
Outline Dwg	035670-800			
Conn. Diag	A-EE7308			
Additional Specifications:				
0				
365THFS8036				
EQUIV CKT (OHMS / PHASE)				
R1	R2	X1	X2	Xm
2.3630	1.6070	5.1030	7.9380	130.4100

