

PRODUCT INFORMATION PACKET

Model No: 326TTGS16539
Catalog No: U032A
50,1800,EPFC,326T,3/60/575
Explosion Proof



Regal and Marathon are trademarks of Regal Beloit Corporation or one of its affiliated companies.
©2018 Regal Beloit Corporation, All Rights Reserved. MC017097E





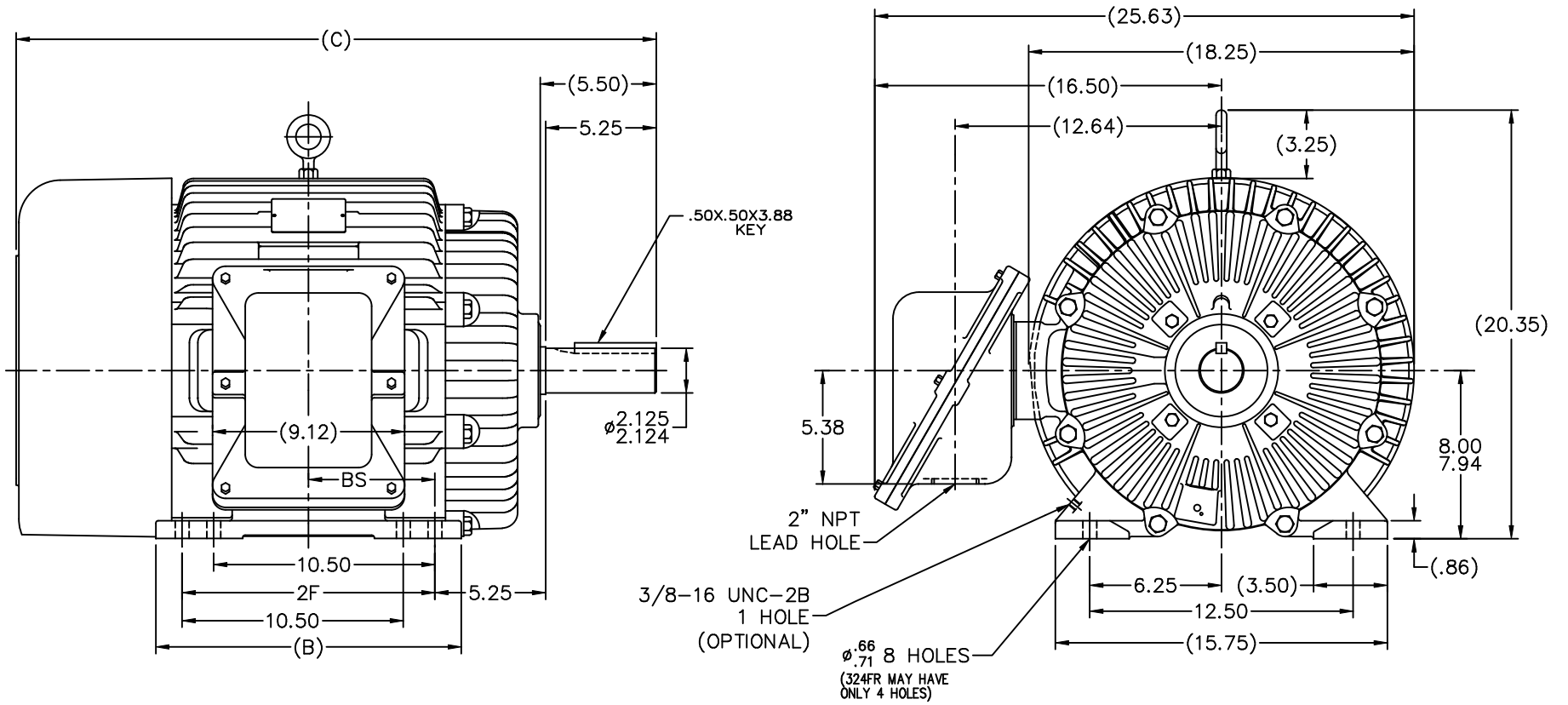
Nameplate Specifications

Output HP	50 Hp	Output KW	37 kW
Frequency	60 Hz	Voltage	575 V
Current	49 A	Speed	1777 rpm
Service Factor	1	Phase	3
Efficiency	94.5 %	Duty	CONTINUOUS
Insulation Class	F	Design Code	B
KVA Code	F	Frame	326T
Enclosure	EPFC	Overload Protector	NOT
Ambient Temperature	40 °C	Drive End Bearing Size	6312
Opp Drive End Bearing Size	6311	UL	No
CSA	N	CE	N
IP Code	54		

Technical Specifications

Electrical Type	SQ CAGE INV RATED	Starting Method	LINE OR INVERTER
Poles	4	Rotation	REV
Mounting	RIGID	Motor Orientation	HORIZONTAL
Drive End Bearing	BALL	Opp Drive End Bearing	BALL
Frame Material	CAST IRON	Shaft Type	T
Overall Length	30.37 in	Frame Length	13 in
Shaft Diameter	2.13 in	Shaft Extension	5.5 in
Assembly/Box Mounting	F1 ONLY		
Outline Drawing	B-SS301018-1300	Connection Diagram	A-EE7300T

This is an uncontrolled document once printed or downloaded and is subject to change without notice. Date Created: 04/05/2018



NOTES:

1. BOX CAN BE ROTATED IN 90° STEPS.
2. BOX CAN BE MOUNTED ON OPPOSITE SIDE BY REMOVING BRACKETS AND TURNING FRAME 180°.
3. NAMEPLATE TO BE READ FROM CONDUIT BOX SIDE OF MOTOR.

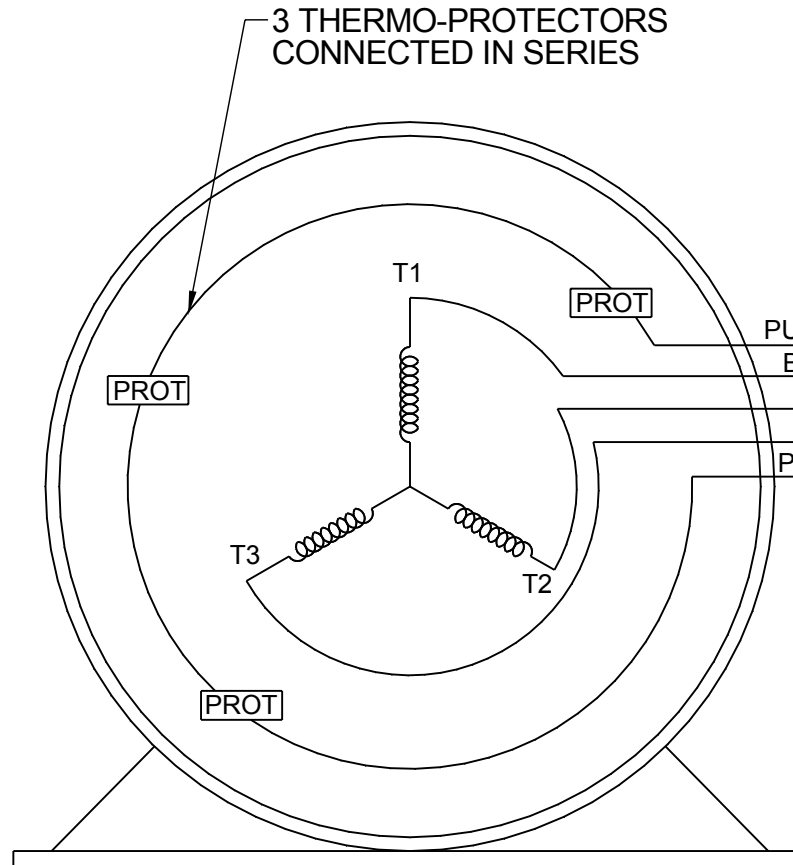
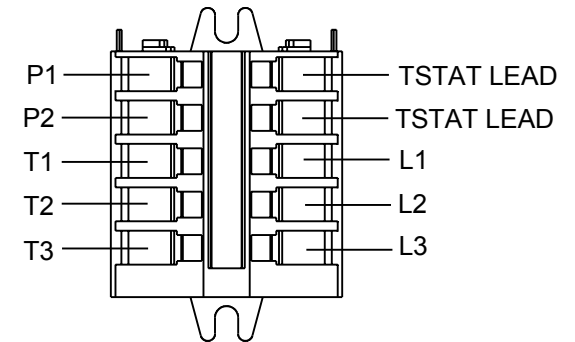
										TOLERANCES UNLESS SPECIFIED				DRAWN CAV 11-29-2000						
										DEC.	INCHES			CHK	DRS 12-01-2000					
										.X	±.1	TITLE OUTLINE		APPD DD 12-04-2000						
										.XX	±.02	320T FR. - BB - TS - EXP. PR.		SCALE 1=5						
1150	324T	28.87	---	13.00	10.50	---	---	5.25	2 -1300 WAS 326T FR. ONLY MU37806		DAH 06-29-2001	.XXX	±.005	REF						
1300	324/326T	30.37	---	14.50	12.00	---	---	6.00	1 NEW DRAWING MU34659		CAV 12-01-2000	.XXXX	±.0005	FMF						
										NO.	REVISION	BY & DATE	CHK	ANG	FINISH	PREV				
										THIS DRAWING IN DESIGN AND DETAIL IS OUR PROPERTY AND MUST NOT BE USED EXCEPT IN CONNECTION WITH OUR WORK ALL RIGHTS OF DESIGN AND INVENTION ARE RESERVED THIS IS AN ELECTRONICALLY GENERATED DOCUMENT - DO NOT SCALE THIS PRINT			RFP	±7'30"	CAD FILE ss301018	SIZE	DRAWING NO.	PAGE	OF	REV.
DASH	FRAME	C	AG	B	2F	2FF	2FFF	BS			DIST	LB	B	SS301018	2					

**THREE PHASE - SINGLE VOLTAGE
MOTOR - CONDUIT BOX @ 'A'**

**TO REVERSE ROTATION:
INTERCHANGE ANY TWO LINE
LEAD CONNECTIONS**

**NOTE FOR FACTORY USE ONLY:
TO SURGE TEST:
FOR 3 LEAD COMMON CONNECT:
CONNECT P1 TO T1 THEN P2 TO L1
FOR 6 LEAD COMMON CONNECT:
CONNECT P1 TO BOTH T1
THEN P2 TO L1**

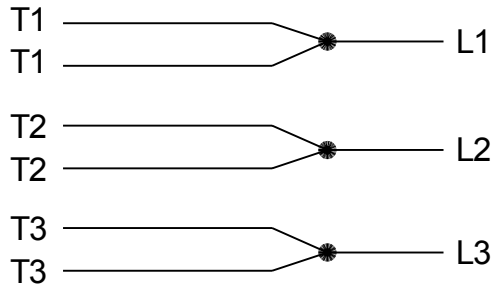
TERMINAL BLOCK WHEN SPECIFIED



PURPLE P1 (TB1)
BLACK T1 (U1)
RED T2 (V1)
BLUE T3 (W1)
PURPLE P2 (TB2)

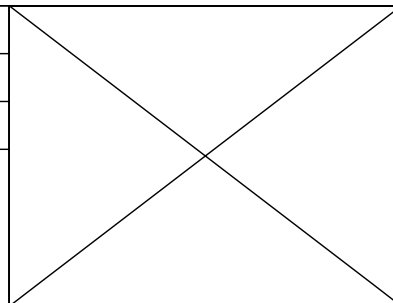
T2BM
T6AW
T6AL
T6Z
T4EG
T4BF
T8A
T6H
T6A
T4AX
T4A
T2A
T2F

**IF MOTOR HAS MULTIPLE
T'S PER LEAD CONNECT
TOGETHER LIKE T'S**



A-9806 DECAL

DRAWING REVISION AB	REVISION BY AJW	DATE 07-17-2015
ECO ECO-0081632	APPROVED BY T.VUE	DATE 07-17-2015
ECO DESCRIPTION REV'D IEC MARKINGS PER IEC-60034-8		
<small>COPYRIGHT REGAL BELOIT AMERICA, INC. ALL RIGHTS RESERVED. PROPRIETARY AND CONFIDENTIAL INFORMATION - THIS DOCUMENT IS THE PROPERTY OF REGAL BELOIT AMERICA, INC. ("OWNER") AND CONTAINS OWNER'S PROPRIETARY INFORMATION. ANY PERSON, CORPORATION OR OTHER FIRM RECEIVING IT IS DEEMED, BY RECEIVING IT, TO AGREE THAT IT, AND/OR ANY PART OF IT, SHALL NOT BE DISCLOSED TO ANY PERSON, CORPORATION OR OTHER ENTITY, DUPLICATED, AND/OR USED, EXCEPT AS EXPRESSLY APPROVED IN WRITING IN ADVANCE BY OWNER. THIS DOCUMENT SHALL BE RETURNED TO OWNER UPON REQUEST. IT MAY BE SUBJECT TO CERTAIN RESTRICTIONS UNDER APPLICABLE EXPORT CONTROL LAWS AND REGULATIONS.</small>		



DRAWN BY LZ	Regal Beloit America, Inc.	
DATE 01-04-1994		
APPROVED BY GK	DESCRIPTION CONN DIAGRAM-EXTERNAL 3Ø-SINGLE VOLT-MOTOR WITH PROTECTOR	
DATE 01-20-1994	MATERIAL	
REFERENCE	PROCESS/FINISH	
THIRD ANGLE PROJECTION	SIZE A	DRAWING NUMBER EE7300T
		SHEET 1 OF 1

Data Sheet

Date: 6/29/2017

32ETGS16539

Customer:



Submital

Attention:

FAREEDA DUDEKULA

Data @ 575 V

Submitted by:

Motor Load Data

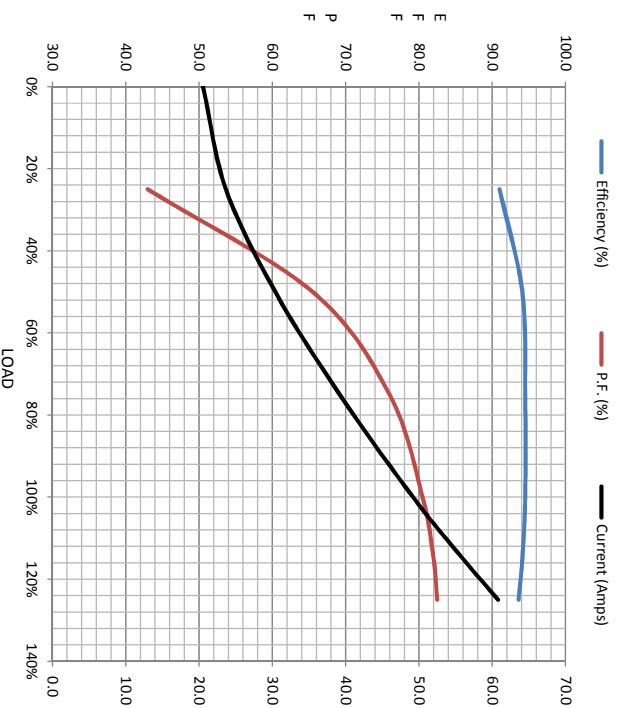
Load	0%	25%	50%	75%	100%	115%	125%	LR
Current (Amps)	20.6	23.7	30.4	39.2	49.2	56.0	60.8	290
Torque (ft-lb)	0.00	36.6	73.5	111	148	170	185	275
RPM	1800	1795	1788	1783	1777	1,773	1770	0
Efficiency (%)		91.0	94.1	94.5	94.5	94.1	93.6	
P.F. (%)	3.0	43.0	65.5	76.0	80.5	82.0	82.5	32.0

Motor Speed Data

	LR	Pull-Up	BD	Rated	Idle
Speed (rpm)	0	900	1695	1777	1800
Current (Amps)	290	264	168	49.2	20.6
Torque (ft-lb)	275	234	360	148	0.00

Information Block

HP	50.0
Sync. RPM	1800
Frame	326
Enclosure	TEFC
Construction	TEN
Voltage	575 V
Frequency	60 HZ
Design	B
LR Code letter	G
Service Factor	1.15
Temp Rise @ FL	75 °C
Duty	CONT
Ambient	40 °C
Elevation	1,000 feet
Rotor/Shaft wkt	9.7 Lb-Fe
Rel Wdg	K3264196 NONE
Sound Pressure @ 1M	65 dBA
VFD Rating	CONSTANT 2:1
Outline Dwg	B-SS301018-1300
Conn. Diag	A-EE7300T
Additional Specifications:	
0	
EQUIV CKT (OHMS / PHASE)	
R1	R2
0.0310	0.0230
X1	X2
0.1780	0.2400
Xm	Xm
4.0160	4.0160



Speed - Torque Curve

