

# PRODUCT INFORMATION PACKET

Model No: TCA0113AE271GAA009

Catalog No: R635

11.0 kW General Purpose Low Voltage IEC Motor, 3 phase, 1200 RPM, 230/460 V, 160L Frame, TEFC  
Cast Iron IE3 Efficiency Motors



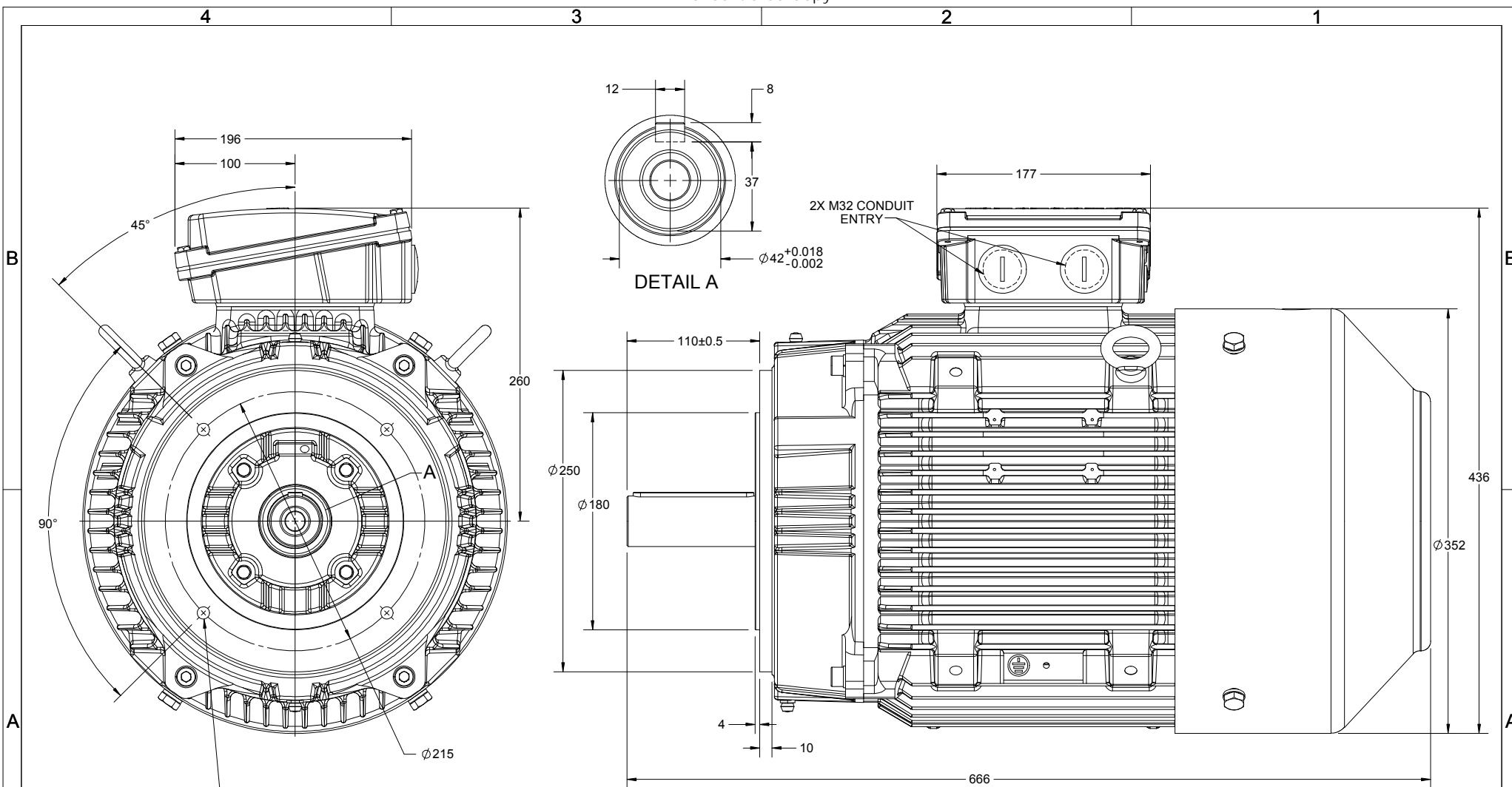
### Nameplate Specifications

Output HP	15 Hp	Output KW	11.0 kW
Frequency	60 Hz	Voltage	230/460 V
Current	38.0/19.1 A	Speed	1180 rpm
Service Factor	1.15	Phase	3
Efficiency	91.7 %	Power Factor	79
Duty	Continuous	Insulation Class	F
Design Code	N (IEC)	KVA Code	H
Frame	160L	Enclosure	Totally Enclosed Fan Cooled
Thermal Protection	No	Ambient Temperature	40 °C
Drive End Bearing Size	6309	Opp Drive End Bearing Size	6209
UL	Recognized	CSA	N
CE	Y	IP Code	55

### Technical Specifications

Electrical Type	Squirrel Cage Inverter Rated	Starting Method	Line Or Inverter
Poles	6	Rotation	Reversible
Resistance Main	.59 Ohms	Mounting	Round
Motor Orientation	Horizontal	Drive End Bearing	Ball
Opp Drive End Bearing	Ball	Frame Material	Cast Iron
Shaft Type	IEC	Overall Length	26.22 in
Frame Length	11.73 in	Shaft Diameter	1.654 in
Shaft Extension	4.33 in	Assembly/Box Mounting	F3

This is an uncontrolled document once printed or downloaded and is subject to change without notice. Date Created:01/11/2019



4X  $\phi 10.2 \nabla 20$   
M12X1.75 - 6H  $\nabla 18$

DRAWING REVISION A	REVISION BY MSH	DATE 11/02/2019
ECO ECO-0161495	APPROVED BY JAY	DATE 11/02/2019
ECO DESCRIPTION <b>NEW DRAWING RELEASE</b> <small>COPYRIGHT REGAL BELLOIT AMERICA, INC. ALL RIGHTS RESERVED. PROPRIETARY AND CONFIDENTIAL INFORMATION - THIS DOCUMENT IS THE PROPERTY OF REGAL BELLOIT AMERICA, INC. (OWNER) AND CONTAINS OWNER'S PROPRIETARY INFORMATION. ANY PERSON, CORPORATION OR OTHER FIRM RECEIVING IT IS DEEMED, BY RECEIVING IT, TO AGREE THAT IT, AND/OR ANY PART OF IT, SHALL NOT BE DISCLOSED TO ANY PERSON, CORPORATION OR OTHER ENTITY, DUPLICATED, AND/OR USED, EXCEPT AS EXPRESSLY APPROVED IN WRITING IN ADVANCE BY OWNER. THIS DOCUMENT SHALL BE RETURNED TO OWNER UPON REQUEST. IT MAY BE SUBJECT TO CERTAIN RESTRICTIONS UNDER APPLICABLE EXPORT CONTROL LAWS AND REGULATIONS.</small>		

DRAWN BY MSH
DATE 11/02/2019
APPROVED BY JAY
DATE 11/02/2019
REFERENCE

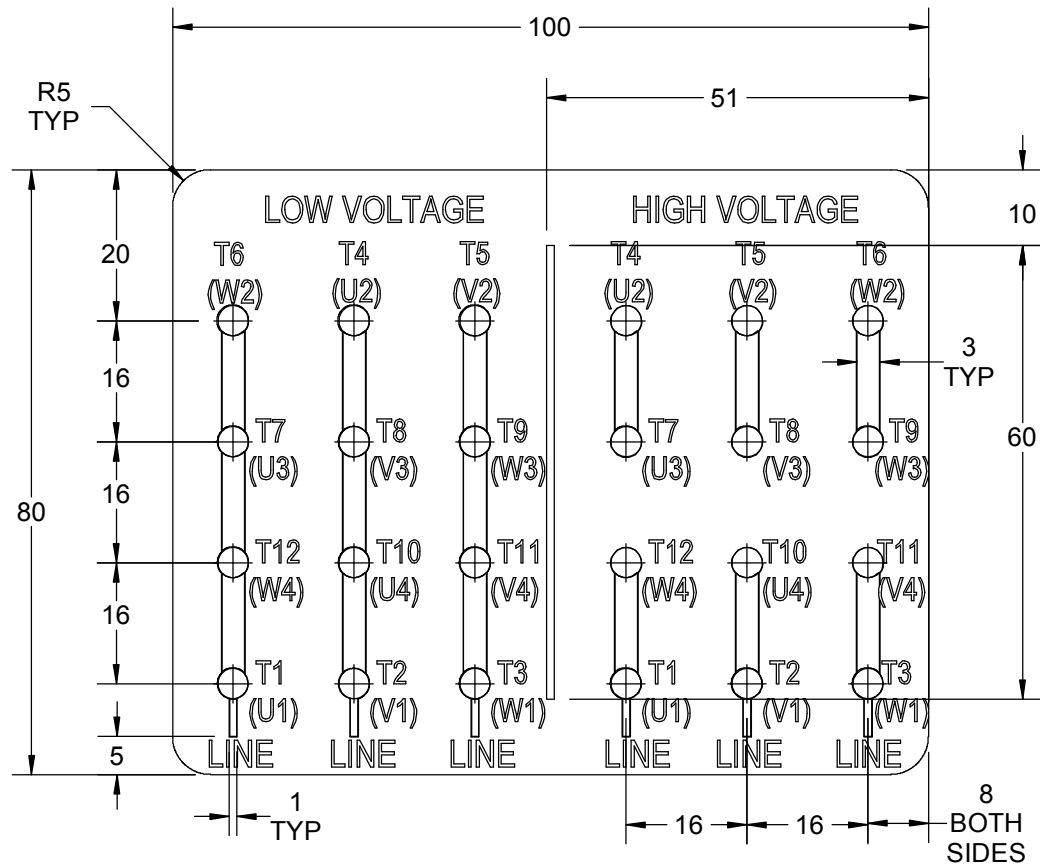


DESCRIPTION  
**OUTLINE**  
IEC-160L-B14A, MOTOR TYPE: NA-TEFC-CAST IRON

THIRD ANGLE  
PROJECTION

MATERIAL	PROCESS/FINISH
SIZE B	DRAWING NUMBER SS620906
SHEET 1 OF 1	

GENERAL TOLERANCE		
LINEAR DIM	>0~6	±0.1
	>6~30	±0.2
	>30~120	±0.3



- NOTES:
1. PRESSURE-SENSITIVE ADHESIVE TAPE COATED WITH ANTI-ADHESIVE.
  2. YELLOW COLOR BACK GROUND LETTERS WILL BE BLACK.
  3. THE TOLERANCE OF THE LINEAR SIZE OF THE TOLERANCE WITHOUT THE TOLERANCE BY THE TABLE.
  4. LEAD TERMINAL MARKINGS FONT SIZE : T1-T12 & U1-U4,V1-V4& W1-W4 OF ARIAL WITH 3mm SIZE
  5. OTHER LETTER FONT SIZE SHOULD BE 3.5mm.

DRAWING REVISION <b>C</b>	REVISION BY <b>NIV</b>	DATE <b>05/03/2019</b>		DRAWN BY <b>NIV</b>	Regal Beloit America, Inc.
ECO <b>ECO-0162986</b>	APPROVED BY <b>JAY</b>	DATE <b>05/03/2019</b>		DATE <b>29/01/2019</b>	
ECO DESCRIPTION <b>UPDATED DRAWING</b>				APPROVED BY <b>JAY</b>	DESCRIPTION <b>CONNECTION DIAGRAM</b> 12 LEAD -DELTA CONNECTION
<small>COPYRIGHT REGAL BELOIT AMERICA, INC. ALL RIGHTS RESERVED. PROPRIETARY AND CONFIDENTIAL INFORMATION - THIS DOCUMENT IS THE PROPERTY OF REGAL BELOIT AMERICA, INC. ("OWNER") AND CONTAINS OWNER'S PROPRIETARY INFORMATION. ANY PERSON, CORPORATION OR OTHER FIRM RECEIVING IT IS DEEMED, BY RECEIVING IT, TO AGREE THAT IT, AND/OR ANY PART OF IT, SHALL NOT BE DISCLOSED TO ANY PERSON, CORPORATION OR OTHER ENTITY, DUPLICATED, AND/OR USED, EXCEPT AS EXPRESSLY APPROVED IN WRITING IN ADVANCE BY OWNER. THIS DOCUMENT SHALL BE RETURNED TO OWNER UPON REQUEST. IT MAY BE SUBJECT TO CERTAIN RESTRICTIONS UNDER APPLICABLE EXPORT CONTROL LAWS AND REGULATIONS.</small>				DATE <b>29/01/2019</b>	MATERIAL
			THIRD ANGLE PROJECTION	SIZE <b>A</b>	DRAWING NUMBER <b>8442000677</b>

P.O. BOX 8003  
WAUSAU, WI 54401-8003  
PH. 715-675-3311

DATA VOLTS: 460

**CERTIFICATION DATA SHEET**

<b>CUSTOMER:</b>		<b>CUSTOMER P.O. #:</b>	
<b>ORDER #:</b>		<b>REFERENCE MODEL #:</b>	TCA0113AE271GA009
<b>CONN. DIAGRAM:</b>	8442000677	<b>CAT #:</b>	R635
<b>OUTLINE:</b>	SS620906	<b>CUSTOMER PART #:</b>	
<b>WINDING:</b>	IE3L1606202	<b>MOUNTING:</b>	F3
<b>SPEED:</b>			

**TYPICAL MOTOR PERFORMANCE DATA**

<b>HP</b>	<b>KW</b>	<b>SYNC RPM</b>	<b>FL RPM</b>	<b>FRAME</b>	<b>ENCLOSURE</b>	<b>TYPE</b>	<b>KVA CODE</b>	<b>DESIGN</b>	
15	11.2	1200	1180	160L	TEFC	TCA 160L B06	H	N	
<b>PH</b>	<b>HZ</b>	<b>VOLTS</b>	<b>AMPS</b>	<b>START TYPE</b>	<b>DUTY</b>	<b>INSL</b>	<b>S.F.</b>	<b>AMIB</b>	<b>ELEV.</b>
3	60/50	230/460#200/400	38/19.1&33.5/16.8	LINE OR INVERTER	CONT	F	1.15	40	3300
	<b>F.L. EFF</b>	<b>F.L. PF</b>	<b>3/4 LD EFF</b>	<b>91.7</b>	<b>1/2 LD EFF</b>	<b>89.6</b>	<b>GTD EFF</b>	<b>ELECT. TYPE</b>	
	91.7	79.0	3/4 LD PF	72.0	1/2 LD PF	62.0	90.5	SQ CAGE INV RATED	
	<b>F.L. TORQUE</b>	<b>LR AMPS @ 460 V</b>	<b>L.R. TORQUE</b>	<b>B.D. TORQUE</b>	<b>F.L. RISE (°C)</b>				
	66.8 LB-FT	121	141 LB-FT	211%	182 LB-FT	272%			
	<b>@ 3 FT. DBA</b>	<b>POWER</b>	<b>ROTOR WK²</b>	<b>MAX. LOAD WK²</b>	<b>SAFE STALL TIME</b>	<b>START/HOUR</b>	<b>MOTOR WGT</b>		
	68 DBA	77 DBA	4.3 LB-FT²	4.3 LB-FT²	15 SEC.	2	172 LB.		

**\*\*\* SUPPLEMENTAL INFORMATION \*\*\***

<b>DE BRACKET TYPE</b>	<b>ODE BRACKET TYPE</b>	<b>MOUNT TYPE</b>	<b>MOTOR ORIENTATION</b>	<b>SEVERE DUTY</b>	<b>HAZARDOUS LOCATION</b>	<b>DRIP COVER</b>	<b>SCREENS</b>	<b>PAINT</b>
FT-FLANGE-215	STANDARD	ROUND	HORIZONTAL	NO	NONE	NO	NONE	BLUE - RAL 5014
<b>BEARINGS</b>	<b>GREASE</b>	<b>SHAFT TYPE</b>	<b>SPECIAL DE</b>	<b>SPECIAL ODE</b>	<b>SHAFT MATERIAL</b>	<b>FRAME MATERIAL</b>		
DE ODE BALL 6309	POLYREX EM	STANDARD IEC	NONE	NONE	1045 HOT ROLLED (C-204)	CAST IRON		

<b>THERMOSTATS</b>	<b>PROTECTORS</b>	<b>WDG RTD's</b>	<b>BRG RTD's</b>	<b>THERMISTORS</b>	<b>CONTROL</b>	<b>SPACE HEATERS</b>
NONE	NOT	NONE	NONE	NONE	FALSE	NA
<b>R1 (ohms/ph)</b>	<b>R2 (ohms/ph)</b>	<b>X1 (ohms/ph)</b>	<b>X2 (ohms/ph)</b>	<b>Xm (ohms/ph)</b>	<b>VIBRATION (in/sec)</b>	<b>FLOAT ODE</b>
0.378	0.265	1.154	1.74	28.535	0.090	ODE

<b>* N O T E S *</b>	<b>INVERTER TORQUE: CONSTANT 2:1/VARIABLE 10:1</b>	
	<b>INV. HP SPEED RANGE: NONE</b>	
	<b>ENCODER: NONE</b>	<b>NONE PPR</b>
	<b>BRAKE: NONE</b>	<b>NONE</b>
	<b>FT-LB: NONE</b>	<b>NA</b>
	<b>VOLTAGE: NONE</b>	<b>NONE</b>

**PREPARED BY:** Fareeda Dudekula  
**DATE:** 5/30/2019  
**UL: V-LI-ME-INS CONST UL REC**