

PRODUCT INFORMATION PACKET

Model No: TCA0111AE271GAA009

Catalog No: R633

11.0 kW General Purpose Low Voltage IEC Motor, 3 phase, 3600 RPM, 230/460 V, 160M Frame, TEFC
Cast Iron IE3 Efficiency Motors



Regal and Marathon are trademarks of Regal Beloit Corporation or one of its affiliated companies.
©2019 Regal Beloit Corporation, All Rights Reserved. MC017097E

REGAL



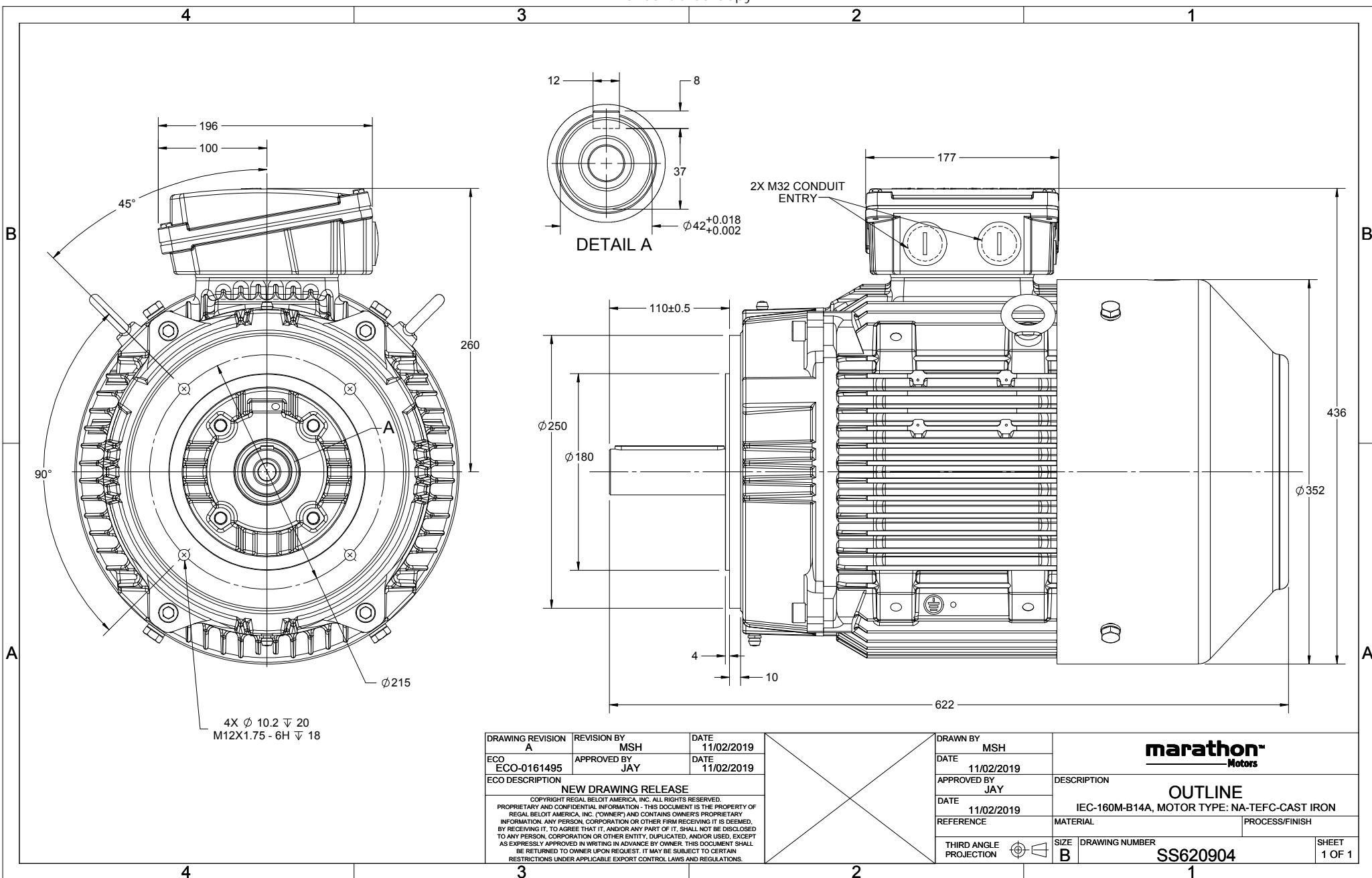
Nameplate Specifications

Output HP	15 Hp	Output KW	11.0 kW
Frequency	60 Hz	Voltage	230/460 V
Current	34.0/16.9 A	Speed	3550 rpm
Service Factor	1.15	Phase	3
Efficiency	91 %	Power Factor	90
Duty	Continuous	Insulation Class	F
Design Code	N (IEC)	KVA Code	G
Frame	160M	Enclosure	Totally Enclosed Fan Cooled
Thermal Protection	No	Ambient Temperature	40 °C
Drive End Bearing Size	6309	Opp Drive End Bearing Size	6209
UL	Recognized	CSA	N
CE	Y	IP Code	55

Technical Specifications

Electrical Type	Squirrel Cage Inverter Rated	Starting Method	Line Or Inverter
Poles	2	Rotation	Reversible
Resistance Main	.93 Ohms	Mounting	Round
Motor Orientation	Horizontal	Drive End Bearing	Ball
Opp Drive End Bearing	Ball	Frame Material	Cast Iron
Shaft Type	IEC	Overall Length	24.49 in
Frame Length	10.00 in	Shaft Diameter	1.654 in
Shaft Extension	4.33 in	Assembly/Box Mounting	F3

This is an uncontrolled document once printed or downloaded and is subject to change without notice. Date Created:01/11/2019



DRAWING REVISION A	REVISION BY MSH	DATE 11/02/2019
ECO ECO-0161495	APPROVED BY JAY	DATE 11/02/2019
ECO DESCRIPTION NEW DRAWING RELEASE <small>COPYRIGHT REGAL BELLOTT AMERICA, INC. ALL RIGHTS RESERVED. PROPRIETARY AND CONFIDENTIAL INFORMATION - THIS DOCUMENT IS THE PROPERTY OF REGAL BELLOTT AMERICA, INC. (OWNER) AND CONTAINS OWNER'S PROPRIETARY INFORMATION. ANY PERSON, CORPORATION OR OTHER FIRM RECEIVING IT IS DEEMED, BY RECEIVING IT, TO AGREE THAT IT, AND/OR ANY PART OF IT, SHALL NOT BE DISCLOSED TO ANY PERSON, CORPORATION OR OTHER ENTITY, DUPLICATED, AND/OR USED, EXCEPT AS EXPRESSLY APPROVED IN WRITING IN ADVANCE BY OWNER. THIS DOCUMENT SHALL BE RETURNED TO OWNER UPON REQUEST. IT MAY BE SUBJECT TO CERTAIN RESTRICTIONS UNDER APPLICABLE EXPORT CONTROL LAWS AND REGULATIONS.</small>		

DRAWN BY MSH
DATE 11/02/2019
APPROVED BY JAY
DATE 11/02/2019
REFERENCE
THIRD ANGLE PROJECTION

marathon Motors	
OUTLINE	
IEC-160M-B14A, MOTOR TYPE: NA-TEFC-CAST IRON	
MATERIAL	PROCESS/FINISH
SIZE B	DRAWING NUMBER SS620904
	SHEET 1 OF 1

Data Sheet

Date: 5/30/2019

TCA011A/E27/GA009

Customer: _____
Attention: _____

Submitted

Submitted by: Fareeda Dudekula

Data @ 460 V

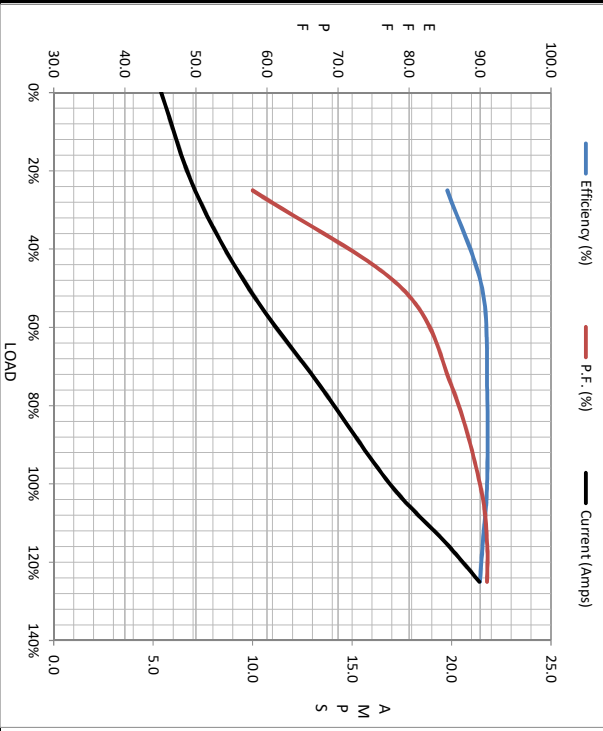
Load	Motor Load Data						LR	
	0%	25%	50%	75%	100%	115%		125%
Current (Amps)	5.4	7.1	9.8	13.4	16.9	19.7	21.4	118
Torque (ft-lb)	0.00	5.5	11.0	16.6	22.2	25.6	27.9	37.6
RPM	3600	3588	3576	3563	3550	3541	3535	0
Efficiency (%)		85.4	90.3	91.0	91.0	90.4	90.0	
P.F. (%)	10.0	58.0	79.0	86.0	90.0	91.0	91.0	63.4

Motor Speed Data

	LR	Pull-Up	BD	Rated	Idle
Speed (RPM)	0	1200	3259	3550	3600
Current (Amps)	118	112	71.8	16.9	5.4
Torque (ft-lb)	37.6	35.7	64.0	22.2	0.00

Information Block

HP	15.0			
Sync. RPM	3600			
Frame	160			
Enclosure	TEFC			
Construction	TCA 160MB02			
Voltage	230/460#200/400 V			
Frequency	60 Hz			
Design	N			
LR Code letter	G			
Service Factor	1.15			
Temp Rise @ FL	80 °C			
Duty	CONT			
Ambient	40 °C			
Elevation	3,300 feet			
Rotor/Shaft wk ²	1.49 Lb-Ft ²			
Ref Wdg	IE3L1602201 NONE			
Sound Pressure @ 1M	75 dBA			
VFD Rating	CONSTANT 2:1-VARIABLE 10:1			
Outline Dwg	SS620904			
Conn. Diag	8442000677			
Additional Specifications:				
0				
EQUIV CKT (OHMS / PHASE)				
R1	R2	X1	X2	Xm
0.5670	0.2270	1.2290	1.0970	47.9940



Speed - Torque Curve

