

PRODUCT INFORMATION PACKET

Model No: TCA5P51AE271GAA009

Catalog No: R627

5.50 kW General Purpose Low Voltage IEC Motor, 3 phase, 3600 RPM, 230/460 V, 132M Frame, TEFC
Cast Iron IE3 Efficiency Motors





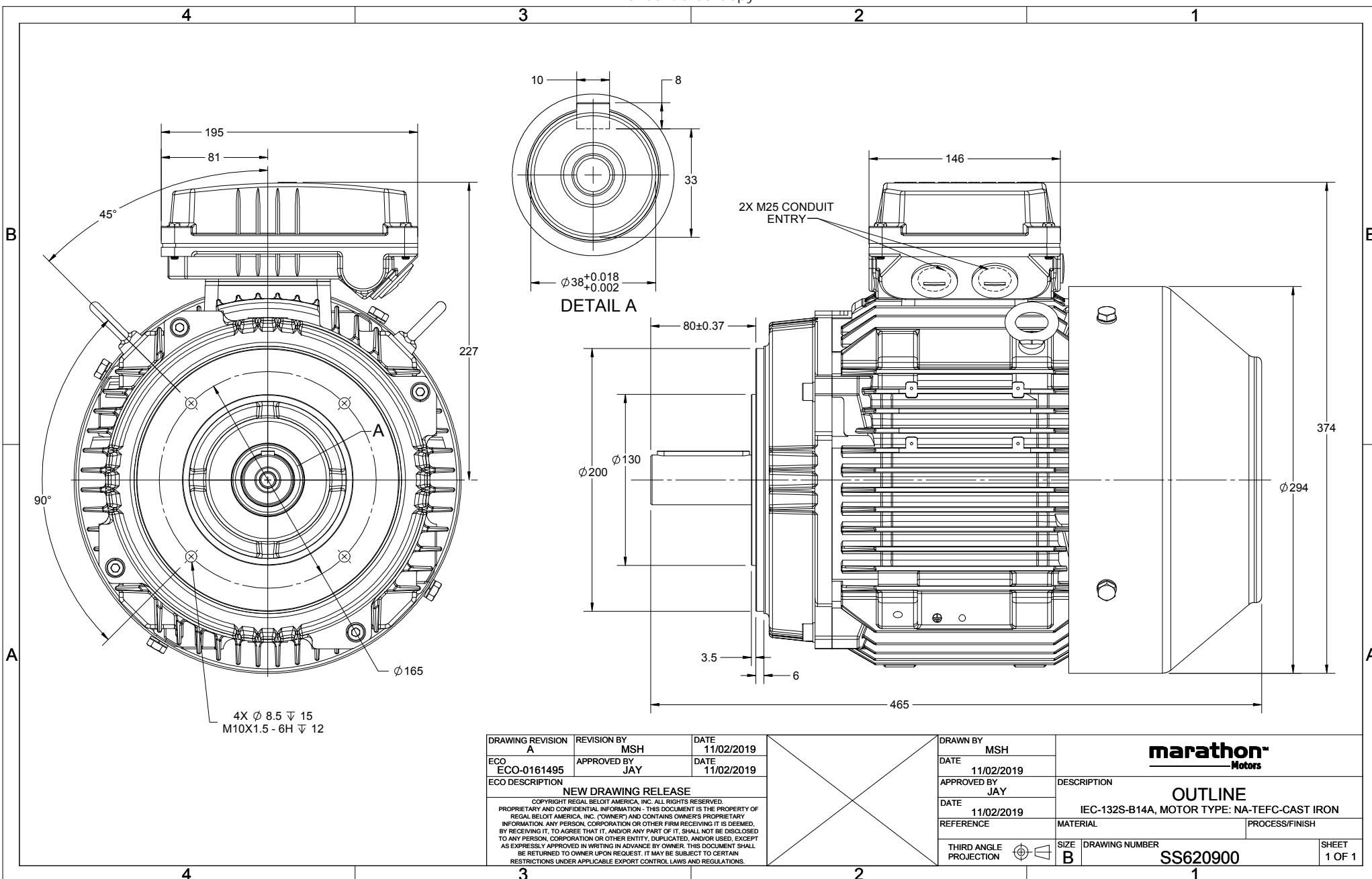
Nameplate Specifications

Output HP	7.50 Hp	Output KW	5.5 kW
Frequency	60 Hz	Voltage	230/460 V
Current	17.6/8.8 A	Speed	3535 rpm
Service Factor	1.15	Phase	3
Efficiency	89.2 %	Power Factor	88
Duty	Continuous	Insulation Class	F
Design Code	N (IEC)	KVA Code	H
Frame	132M	Enclosure	Totally Enclosed Fan Cooled
Thermal Protection	No	Ambient Temperature	40 °C
Drive End Bearing Size	6308	Opp Drive End Bearing Size	6208
UL	Recognized	CSA	N
CE	Y	IP Code	55

Technical Specifications

Electrical Type	Squirrel Cage Inverter Rated	Starting Method	Line Or Inverter
Poles	2	Rotation	Reversible
Resistance Main	2.02 Ohms	Mounting	Round
Motor Orientation	Horizontal	Drive End Bearing	Ball
Opp Drive End Bearing	Ball	Frame Material	Cast Iron
Shaft Type	IEC	Overall Length	18.31 in
Frame Length	7.95 in	Shaft Diameter	1.496 in
Shaft Extension	3.15 in	Assembly/Box Mounting	F3

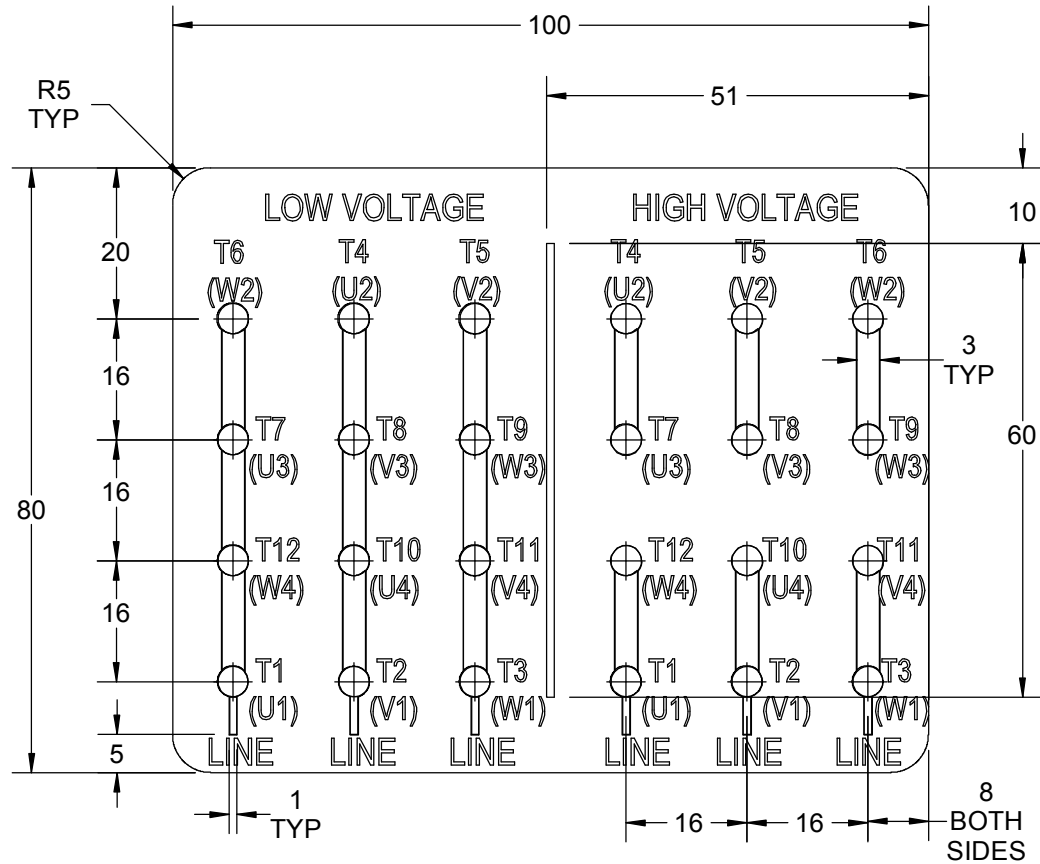
This is an uncontrolled document once printed or downloaded and is subject to change without notice. Date Created:01/11/2019



DRAWING REVISION A	REVISION BY MSH	DATE 11/02/2019
ECO ECO-0161495	APPROVED BY JAY	DATE 11/02/2019
ECO DESCRIPTION NEW DRAWING RELEASE		
<small>COPYRIGHT REGAL BELOIT AMERICA, INC. ALL RIGHTS RESERVED. PROPRIETARY AND CONFIDENTIAL INFORMATION - THIS DOCUMENT IS THE PROPERTY OF REGAL BELOIT AMERICA, INC. (OWNER) AND CONTAINS OWNER'S PROPRIETARY INFORMATION. ANY PERSON, CORPORATION OR OTHER FIRM RECEIVING IT IS DEEMED, BY RECEIVING IT, TO AGREE THAT IT, AND/OR ANY PART OF IT, SHALL NOT BE DISCLOSED TO ANY PERSON, CORPORATION OR OTHER ENTITY, DUPLICATED, AND/OR USED, EXCEPT AS EXPRESSLY APPROVED IN WRITING IN ADVANCE BY OWNER. THIS DOCUMENT SHALL BE RETURNED TO OWNER UPON REQUEST. IT MAY BE SUBJECT TO CERTAIN RESTRICTIONS UNDER APPLICABLE EXPORT CONTROL LAWS AND REGULATIONS.</small>		

DRAWN BY MSH		marathon[®] Motors OUTLINE IEC-132S-B14A, MOTOR TYPE: NA-TEFC-CAST IRON	
DATE 11/02/2019			
APPROVED BY JAY			
DATE 11/02/2019			
REFERENCE	MATERIAL	PROCESS/FINISH	
THIRD ANGLE PROJECTION	SIZE B	DRAWING NUMBER SS620900	SHEET 1 OF 1

GENERAL TOLERANCE		
LINEAR DIM	>0~6	±0.1
	>6~30	±0.2
	>30~120	±0.3



NOTES:

1. PRESSURE-SENSITIVE ADHESIVE TAPE COATED WITH ANTI-ADHESIVE.
2. YELLOW COLOR BACK GROUND LETTERS WILL BE BLACK.
3. THE TOLERANCE OF THE LINEAR SIZE OF THE TOLERANCE WITHOUT THE TOLERANCE BY THE TABLE.
4. LEAD TERMINAL MARKINGS FONT SIZE : T1-T12 & U1-U4,V1-V4& W1-W4 OF ARIAL WITH 3mm SIZE
5. OTHER LETTER FONT SIZE SHOULD BE 3.5mm.

DRAWING REVISION C	REVISION BY NIV	DATE 05/03/2019		DRAWN BY NIV	Regal Beloit America, Inc.
ECO ECO-0162986	APPROVED BY JAY	DATE 05/03/2019		DATE 29/01/2019	
ECO DESCRIPTION UPDATED DRAWING				APPROVED BY JAY	DESCRIPTION CONNECTION DIAGRAM 12 LEAD -DELTA CONNECTION
<small>COPYRIGHT REGAL BELOIT AMERICA, INC. ALL RIGHTS RESERVED. PROPRIETARY AND CONFIDENTIAL INFORMATION - THIS DOCUMENT IS THE PROPERTY OF REGAL BELOIT AMERICA, INC. ("OWNER") AND CONTAINS OWNER'S PROPRIETARY INFORMATION. ANY PERSON, CORPORATION OR OTHER FIRM RECEIVING IT IS DEEMED, BY RECEIVING IT, TO AGREE THAT IT, AND/OR ANY PART OF IT, SHALL NOT BE DISCLOSED TO ANY PERSON, CORPORATION OR OTHER ENTITY, DUPLICATED, AND/OR USED, EXCEPT AS EXPRESSLY APPROVED IN WRITING IN ADVANCE BY OWNER. THIS DOCUMENT SHALL BE RETURNED TO OWNER UPON REQUEST. IT MAY BE SUBJECT TO CERTAIN RESTRICTIONS UNDER APPLICABLE EXPORT CONTROL LAWS AND REGULATIONS.</small>				DATE 29/01/2019	MATERIAL
			THIRD ANGLE PROJECTION	SIZE A	DRAWING NUMBER 8442000677

P.O. BOX 8003
WAUSAU, WI 54401-8003
PH. 715-675-3311

DATA VOLTS: 460

CERTIFICATION DATA SHEET

CUSTOMER:		CUSTOMER P.O. #:	
ORDER #:	8442000677	REFERENCE MODEL #:	TCA5P51AE271GAA009
CONN. DIAGRAM:	SS620900	CAT #:	R627
OUTLINE:	IE3L1322201	CUSTOMER PART #:	
WINDING:	NONE	MOUNTING:	F3
SPEED:			

TYPICAL MOTOR PERFORMANCE DATA

HP	KW	SYNC RPM	FL RPM	FRAME	ENCLOSURE	TYPE	KVA CODE	DESIGN	
7.5	5.6	3600	3535	132M	TEFC	TCA132SA02	H	N	
PH	HZ	VOLTS	AMPS	START TYPE	DUTY	INSL	S.F.	AMB	ELEV.
3	60/50	230/460#200/400	17.6/8.8#15/7.5	LINE OR INVERTER	CONT	F	1.15	40	3300
	F.L. EFF		3/4 LD EFF				GTD EFF		ELECT. TYPE
	89.2		89.2				87.5		SO CAGE INV RATED
	F.L. PF		3/4 LD PF				87.9		
	88.0		84.0						
	F.L. TORQUE	LR AMPS @ 460 V	L.R. TORQUE	B.D. TORQUE	F.L. RISE (°C)				
	11.2 LB-FT	64.3	21.4 LB-FT	191%	35.3 LB-FT	315%	80		
	@ 3 FT. DBA	POWER	ROTOR WK²	MAX. LOAD WK²	SAFE STALL TIME	START/HOUR	MOTOR WGT		
	68 DBA	77 DBA	0.44 LB-FT²	0.44 LB-FT²	10 SEC.	2	76 LB.		

***** SUPPLEMENTAL INFORMATION *****

DE BRACKET TYPE	ODE BRACKET TYPE	MOUNT TYPE	MOTOR ORIENTATION	SEVERE DUTY	HAZARDOUS LOCATION	DRIP COVER	SCREENS	PAINT
FT-FLANGE-165	STANDARD	ROUND	HORIZONTAL	NO	NONE	NO	NONE	BLUE - RAL 5014
BEARINGS	GREASE	SHAFT TYPE	SPECIAL DE	SPECIAL ODE	SHAFT MATERIAL	FRAME MATERIAL		
DE ODE BALL 6308	POLYREX EM	STANDARD IEC	NONE	NONE	1045 HOT ROLLED (C-204)	CAST IRON		

THERMOSTATS	PROTECTORS	WDG RTD's	BRG RTD's	THERMISTORS	CONTROL	SPACE HEATERS
NONE	NOT	NONE	NONE	NONE	FALSE	NA
R1 (ohms/ph)	R2 (ohms/ph)	X1 (ohms/ph)	X2 (ohms/ph)	Xm (ohms/ph)	VIBRATION (in/sec)	FLOAT ODE
1.21	0.567	2.383	1.588	79.46	0.060	ODE

* N O T E S *	
	INVERTER TORQUE: CONSTANT 2:1/VARIABLE 10:1 INV. HP SPEED RANGE: NONE
	ENCODER: NONE
	BRAKE: NONE
	FT-LB: NONE NA NONE
	VOLTAGE: NONE
	UL: V - L1ME-INS CONST UL REC

PREPARED BY: Fareeda Dudekula
DATE: 5/30/2019

