

PRODUCT INFORMATION PACKET

Model No: TCA0043AE271GAA009

Catalog No: R626

4.0 kW General Purpose Low Voltage IEC Motor, 3 phase, 1200 RPM, 230/460 V, 132M Frame, TEFC
Cast Iron IE3 Efficiency Motors





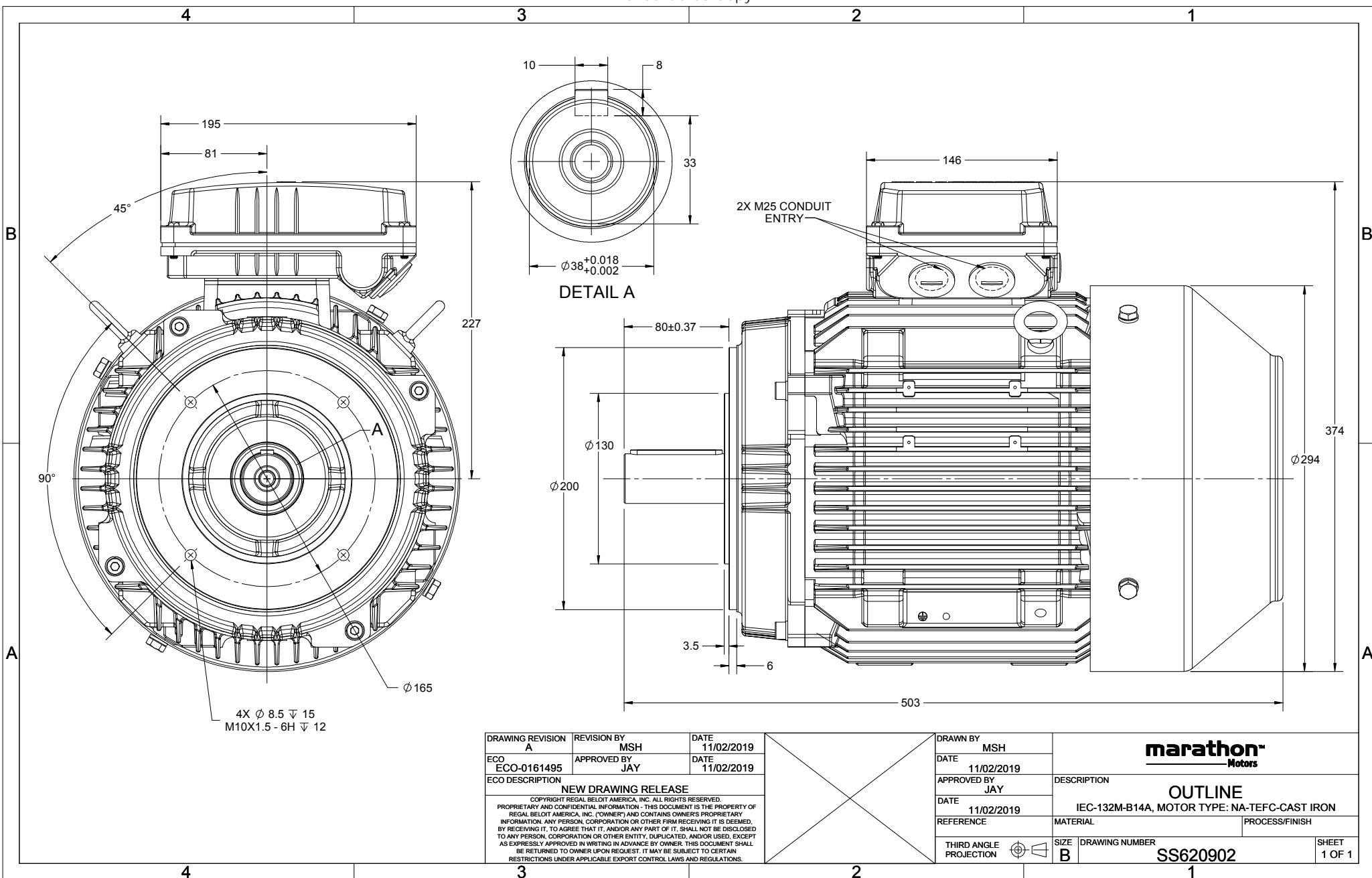
Nameplate Specifications

Output HP	5.50 Hp	Output KW	4.0 kW
Frequency	60 Hz	Voltage	230/460 V
Current	16.2/8.1 A	Speed	1180 rpm
Service Factor	1.15	Phase	3
Efficiency	91 %	Power Factor	68
Duty	Continuous	Insulation Class	F
Design Code	N (IEC)	KVA Code	L
Frame	132M	Enclosure	Totally Enclosed Fan Cooled
Thermal Protection	No	Ambient Temperature	40 °C
Drive End Bearing Size	6308	Opp Drive End Bearing Size	6208
UL	Recognized	CSA	N
CE	Y	IP Code	55

Technical Specifications

Electrical Type	Squirrel Cage Inverter Rated	Starting Method	Line Or Inverter
Poles	6	Rotation	Reversible
Resistance Main	1.61 Ohms	Mounting	Round
Motor Orientation	Horizontal	Drive End Bearing	Ball
Opp Drive End Bearing	Ball	Frame Material	Cast Iron
Shaft Type	IEC	Overall Length	19.80 in
Frame Length	9.45 in	Shaft Diameter	1.496 in
Shaft Extension	3.15 in	Assembly/Box Mounting	F3

This is an uncontrolled document once printed or downloaded and is subject to change without notice. Date Created:01/11/2019

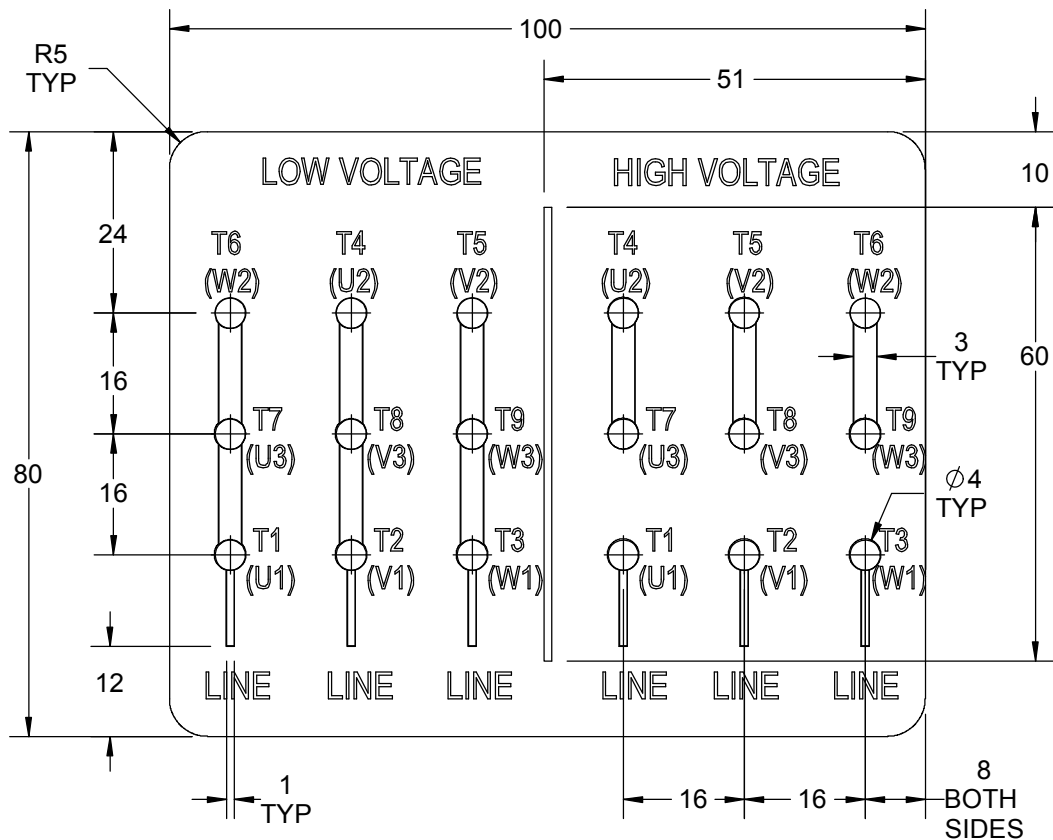


DRAWING REVISION A	REVISION BY MSH	DATE 11/02/2019
ECO ECO-0161495	APPROVED BY JAY	DATE 11/02/2019
ECO DESCRIPTION NEW DRAWING RELEASE		
<small>COPYRIGHT REGAL BELOIT AMERICA, INC. ALL RIGHTS RESERVED. PROPRIETARY AND CONFIDENTIAL INFORMATION - THIS DOCUMENT IS THE PROPERTY OF REGAL BELOIT AMERICA, INC. (OWNER) AND CONTAINS OWNER'S PROPRIETARY INFORMATION. ANY PERSON, CORPORATION OR OTHER FIRM RECEIVING IT IS DEEMED, BY RECEIVING IT, TO AGREE THAT IT, AND/OR ANY PART OF IT, SHALL NOT BE DISCLOSED TO ANY PERSON, CORPORATION OR OTHER ENTITY, DUPLICATED, AND/OR USED, EXCEPT AS EXPRESSLY APPROVED IN WRITING IN ADVANCE BY OWNER. THIS DOCUMENT SHALL BE RETURNED TO OWNER UPON REQUEST. IT MAY BE SUBJECT TO CERTAIN RESTRICTIONS UNDER APPLICABLE EXPORT CONTROL LAWS AND REGULATIONS.</small>		

DRAWN BY MSH
DATE 11/02/2019
APPROVED BY JAY
DATE 11/02/2019
REFERENCE

marathon Motors	
DESCRIPTION OUTLINE IEC-132M-B14A, MOTOR TYPE: NA-TEFC-CAST IRON	
MATERIAL	PROCESS/FINISH
SIZE B	DRAWING NUMBER SS620902
THIRD ANGLE PROJECTION	SHEET 1 OF 1

GENERAL TOLERANCE		
LINEAR DIM	>0~6	±0.1
	>6~30	±0.2
	>30~120	±0.3



- NOTES:
1. PRESSURE-SENSITIVE ADHESIVE TAPE COATED WITH ANTI-ADHESIVE.
 2. YELLOW COLOR BACK GROUND LETTERS WILL BE BLACK.
 3. THE TOLERANCE OF THE LINEAR SIZE OF THE TOLERANCE WITHOUT THE TOLERANCE BY THE TABLE.
 4. LEAD TERMINAL MARKINGS FONT SIZE : T1-T12 & U1-U4,V1-V4& W1-W4 OF ARIAL WITH 3mm SIZE
 5. OTHER LETTER FONT SIZE SHOULD BE 3.5mm.

DRAWING REVISION C	REVISION BY NIV	DATE 31/01/2019		DRAWN BY NIV	Regal Beloit America, Inc.
ECO ECO-0162986	APPROVED BY JAY	DATE 31/01/2019		DATE 29/01/2019	
ECO DESCRIPTION UPDATED DRAWINGS				APPROVED BY JAY	DESCRIPTION CONNECTION DIAGRAM 9 LEAD -DELTA CONNECTION
COPYRIGHT REGAL BELOIT AMERICA, INC. ALL RIGHTS RESERVED. PROPRIETARY AND CONFIDENTIAL INFORMATION - THIS DOCUMENT IS THE PROPERTY OF REGAL BELOIT AMERICA, INC. ("OWNER") AND CONTAINS OWNER'S PROPRIETARY INFORMATION. ANY PERSON, CORPORATION OR OTHER FIRM RECEIVING IT IS DEEMED, BY RECEIVING IT, TO AGREE THAT IT, AND/OR ANY PART OF IT, SHALL NOT BE DISCLOSED TO ANY PERSON, CORPORATION OR OTHER ENTITY, DUPLICATED, AND/OR USED, EXCEPT AS EXPRESSLY APPROVED IN WRITING IN ADVANCE BY OWNER. THIS DOCUMENT SHALL BE RETURNED TO OWNER UPON REQUEST. IT MAY BE SUBJECT TO CERTAIN RESTRICTIONS UNDER APPLICABLE EXPORT CONTROL LAWS AND REGULATIONS.				DATE 29/01/2019	PROCESS/FINISH
				REFERENCE	MATERIAL

P.O. BOX 8003
WAUSAU, WI 54401-8003
PH. 715-675-3311

DATA VOLTS: 460

CERTIFICATION DATA SHEET

CUSTOMER: _____
ORDER #: _____
CONN. DIAGRAM: 8442000676
OUTLINE: SS620902
WINDING: IE3L1326202
SPEED: _____

CUSTOMER P.O. #: _____
REFERENCE MODEL #: TCA0043AE271GA009
CAT #: R626
CUSTOMER PART #: _____
MOUNTING: F3

TYPICAL MOTOR PERFORMANCE DATA

HP	KW	SYNC RPM	FL RPM	FRAME	ENCLOSURE	TYPE	KVA CODE	DESIGN	
5.5	4.1	1200	1180	132M	TEFC	TCA132MA06	L	N	
PH	HZ	VOLTS	AMPS	START TYPE	DUTY	INSL	S.F.	AMB	ELEV.
3	60/50	230/460#200/400	16.2/8.1&16.2/8.1	LINE OR INVERTER	CONT	F	1.15	40	3300
F.L. EFF		91.0	3/4 LD EFF	91.0	1/2 LD EFF	86.6	GTD EFF	ELECT. TYPE	
F.L. PF		68.0	3/4 LD PF	59.0	1/2 LD PF	46.0	89.7	SQ CAGE INV RATED	
F.L. TORQUE		LR AMPS @ 460 V		L.R. TORQUE		B.D. TORQUE		F.L. RISE (°C)	
24.5	LB-FT	62.8	70.5	LB-FT	288%	85.6	LB-FT	34%	80
@ 3 FT.		POWER	ROTOR WK²	MAX. LOAD WK²	SAFE STALL TIME	START/HOUR	MOTOR WGT		
65	DBA	74	1.42	LB-FT²	1.42	LB-FT²	15	SEC.	2

***** SUPPLEMENTAL INFORMATION *****

DE BRACKET TYPE	ODE BRACKET TYPE	MOUNT TYPE	MOTOR ORIENTATION	SEVERE DUTY	HAZARDOUS LOCATION	DRIP COVER	SCREENS	PAINT
FT-FLANGE-165	STANDARD	ROUND	HORIZONTAL	NO	NONE	NO	NONE	BLUE - RAL 5014
BEARINGS	GREASE	SHAFT TYPE	SPECIAL DE	SPECIAL ODE	SHAFT MATERIAL	FRAME MATERIAL		
DE BALL 6308	POLYREX EM	STANDARD IEC	NONE	NONE	1045 HOT ROLLED (C-204)	CAST IRON		

THERMOSTATS	PROTECTORS	WDG RTD's	BRG RTD's	THERMISTORS	CONTROL	SPACE HEATERS
NONE	NOT	NONE	NONE	NONE	FALSE	NA
R1 (ohms/ph)	R2 (ohms/ph)	X1 (ohms/ph)	X2 (ohms/ph)	Xm (ohms/ph)	VIBRATION (in/sec)	FLOAT ODE
0.98	0.619	3.301	2.991	48.529	0.060	ODE

* N O T E S *	INVERTER TORQUE: CONSTANT 2:1/VARIABLE 10:1	
	INV. HP SPEED RANGE: NONE	
	ENCODER: NONE	
	NONE	
	NONE	
	BRAKE: NONE	
	NONE	
	FT-LB: NA	NONE
	VOLTAGE: NONE	NONE
		NONE PPR

PREPARED BY: Fareeda Dudekula
DATE: 5/30/2019

UL: V - LI-ME-INS CONST UL REC

