

PRODUCT INFORMATION PACKET

Model No: 145TTFR4340
Catalog No: C231A
1 1/2, 1800, TEFC, 145T, 3/60/575
Totally Enclosed Fan Cooled (TEFC)



Regal and Marathon are trademarks of Regal Beloit Corporation or one of its affiliated companies.

©2018 Regal Beloit Corporation, All Rights Reserved. MC017097E



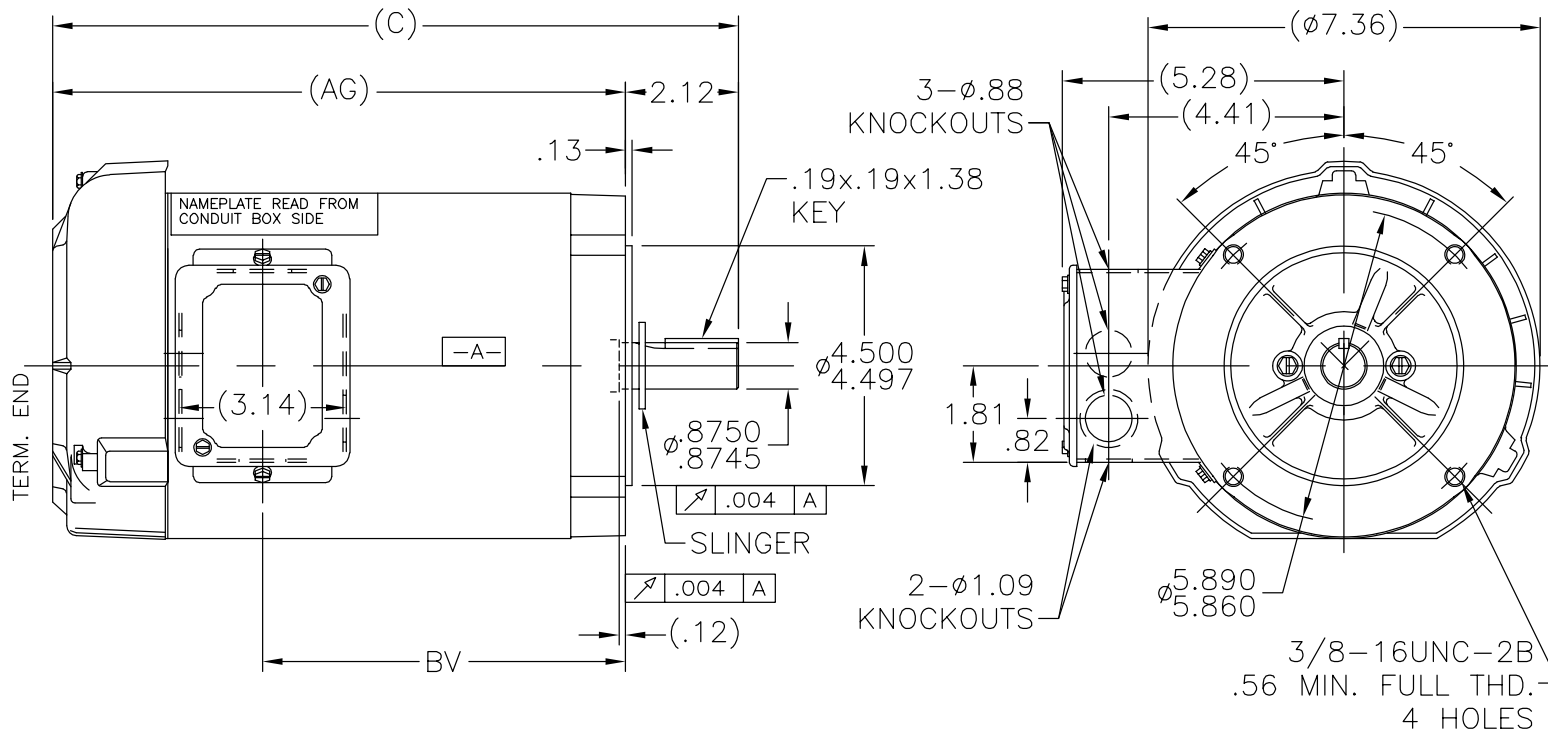
Nameplate Specifications

Output HP	1.5 Hp	Output KW	1.12 kW
Frequency	60 Hz	Voltage	575 V
Current	1.75 A	Speed	1755 rpm
Service Factor	1.15	Phase	3
Efficiency	84 %	Duty	CONTINUOUS
Insulation Class	B	Design Code	B
KVA Code	M	Frame	145TC
Enclosure	TEFC	Overload Protector	NOT
Ambient Temperature	40 °C	Drive End Bearing Size	6205
Opp Drive End Bearing Size	6203	UL	Recognized
CSA	Y	CE	Y
IP Code	43		

Technical Specifications

Electrical Type	SQ CAGE IND RUN	Starting Method	ACROSS THE LINE
Poles	4	Rotation	REV
Mounting	ROUND	Motor Orientation	HORIZONTAL
Drive End Bearing	BALL	Opp Drive End Bearing	BALL
Frame Material	ROLLED STEEL	Shaft Type	T
Overall Length	14.37 in	Frame Length	9.06 in
Shaft Diameter	.88 in	Shaft Extension	2.12 in
Assembly/Box Mounting	F1 ONLY		
Outline Drawing	A-100105-906	Connection Diagram	A-EE7300

100105



DASH	FR.	C	AG	BV	DASH	FR.	C	AG	BV
					806	140T	13.37	11.25	7.31
656	140T	11.87	9.75	5.81	856	140T	13.87	11.75	7.81
706	140T	12.37	10.25	6.31	906	140T	14.37	12.25	8.31
756	140T	12.87	10.75	6.81	956	140T	14.87	12.75	8.81

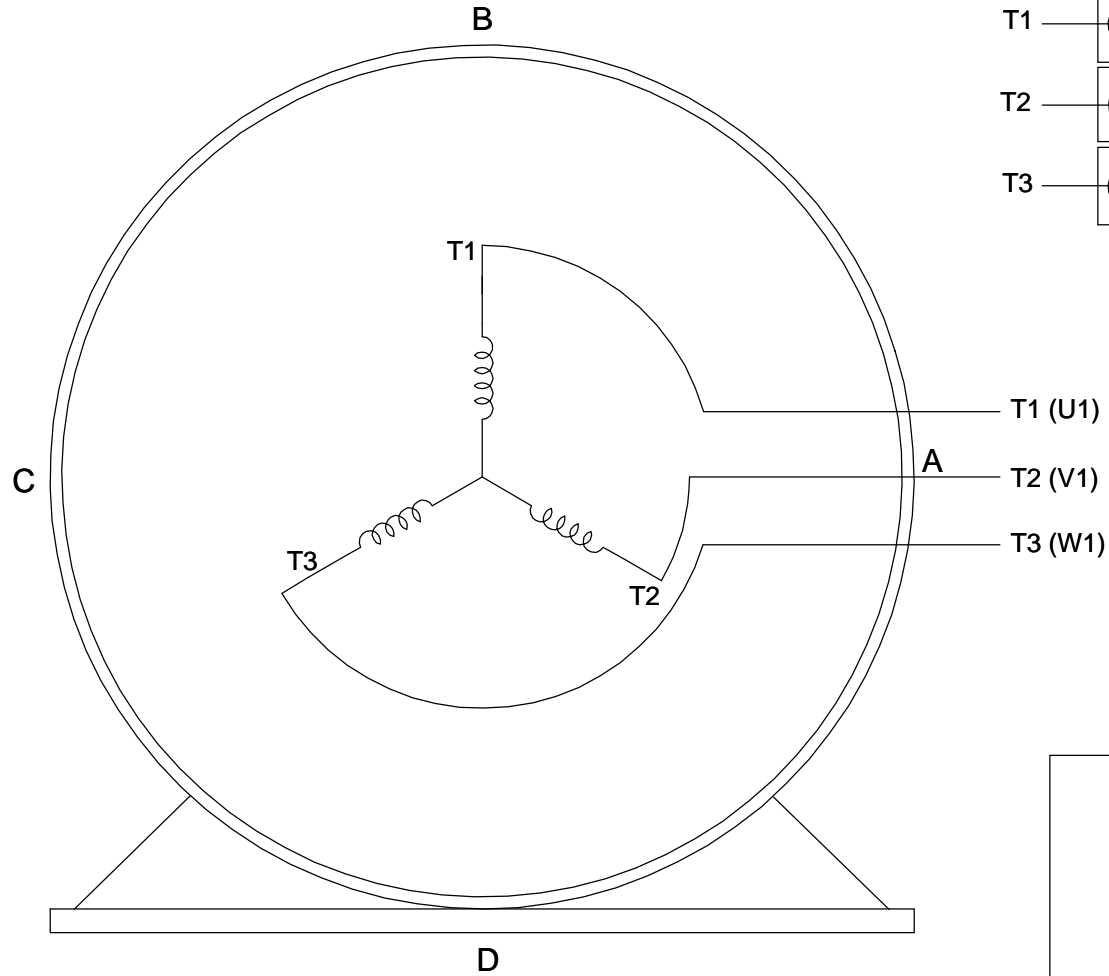
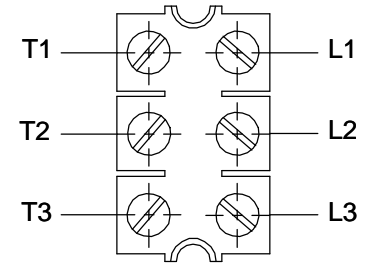
NO.	REVISION	BY & DATE	CHK	ANG	±7'30"	FINISH	SIZE	DRAWING NO.	PAGE	OF	REV.
6	REMOVED NAMEPLATE NOTE PER ECO-0077123	PST 05/05/15	SM	TOLERANCES UNLESS SPECIFIED							DRAWN SMC 08-14-1991
5	NOTE SAID, "METAL NAMEPLATE READ FROM..."	RJW 01-03-2006	ML	DEC.	INCHES	REGAL ™ Regal Beloit America, Inc.					CHK ML 08-14-1991
4	RE-ISSUED: CLARIFIED "C" & "AG" DIM.	ERH 06-16-2003	ML	.X	±.1						APPD GK 08-14-1991
3	CORRECTED BV IN TABLE WAS BS CN 29200-683	CTO 03-04-2003	ML	.XX	±.03	TITLE OUTLINE					SCALE 1=3
2	CORRECTED CONDUIT BOX KNOCKOUTS	ML 01-14-1992		.XXX	±.005	140 FR. - TEFC 3 ϕ					REF
1	REDRAWN ON CADD & DASH 656 ADDED	SMC 08-14-1991		.XXXX	±.0005	MAT'L.					FMF
											PREV
			RFP			CAD FILE 100105	A	100105	6		
			DIST	WP							

THIS DRAWING IN DESIGN AND DETAIL IS OUR PROPERTY AND MUST NOT BE USED EXCEPT IN CONNECTION WITH OUR WORK ALL RIGHTS OF DESIGN AND INVENTION ARE RESERVED THIS IS AN ELECTRONICALLY GENERATED DOCUMENT - DO NOT SCALE THIS PRINT

**THREE PHASE - SINGLE VOLTAGE
MOTOR - CONDUIT BOX @ 'A'**

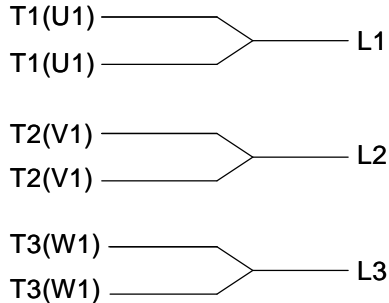
**TO REVERSE ROTATION:
INTERCHANGE ANY TWO
LINE LEAD CONNECTIONS.**

TERMINAL BLOCK WHEN SPECIFIED



VIEW OF TERMINAL END

**IF MOTOR HAS
6 LEADS**



A-9806 DECAL

**OPTIONAL CORD
CONNECTION**

- L1 WHITE
- L2 RED
- L3 BLACK

DRAWING REVISION AB	REVISION BY JJB	DATE 06-27-2017
ECO ECO-0125361	APPROVED BY TB	DATE 06-27-2017
ECO DESCRIPTION UPDATED TO CURRENT STANDARDS		
<small>COPYRIGHT REGAL BELOIT AMERICA, INC. ALL RIGHTS RESERVED. PROPRIETARY AND CONFIDENTIAL INFORMATION - THIS DOCUMENT IS THE PROPERTY OF REGAL BELOIT AMERICA, INC. ("OWNER") AND CONTAINS OWNER'S PROPRIETARY INFORMATION. ANY PERSON, CORPORATION OR OTHER FIRM RECEIVING IT IS DEEMED, BY RECEIVING IT, TO AGREE THAT IT, AND/OR ANY PART OF IT, SHALL NOT BE DISCLOSED TO ANY PERSON, CORPORATION OR OTHER ENTITY, DUPLICATED, AND/OR USED, EXCEPT AS EXPRESSLY APPROVED IN WRITING IN ADVANCE BY OWNER. THIS DOCUMENT SHALL BE RETURNED TO OWNER UPON REQUEST. IT MAY BE SUBJECT TO CERTAIN RESTRICTIONS UNDER APPLICABLE EXPORT CONTROL LAWS AND REGULATIONS.</small>		



DRAWN BY DA
DATE 03-26-1993
APPROVED BY TB
DATE 03-26-1993
REFERENCE
THIRD ANGLE PROJECTION

Regal Beloit America, Inc.		
		DESCRIPTION CONNECTION DIAGRAM EXTERNAL - SINGLE VOLTAGE - 3Ø MOTOR
MATERIAL	PROCESS/FINISH	
SIZE A	DRAWING NUMBER EE7300	SHEET 1 OF 1