

# PRODUCT INFORMATION PACKET

**marathon**<sup>®</sup>  
Motors

Model No: 284TTFCD6085  
Catalog No: GT3423A  
15,1200,TEFC,284JP,3/60/230/460  
JP



Regal and Marathon are trademarks of Regal Beloit Corporation or one of its affiliated companies.  
©2018 Regal Beloit Corporation, All Rights Reserved. MC017097E

**REGAL**<sup>®</sup>



### Nameplate Specifications

Output HP	<b>15 Hp</b>	Output KW	<b>11.2 kW</b>
Frequency	<b>60 Hz</b>	Voltage	<b>230/460 V</b>
Current	<b>40.0/20.0 A</b>	Speed	<b>1182 rpm</b>
Service Factor	<b>1.15</b>	Phase	<b>3</b>
Efficiency	<b>91.7 %</b>	Duty	<b>Continuous</b>
Insulation Class	<b>F</b>	Design Code	<b>B</b>
KVA Code	<b>G</b>	Frame	<b>284JPV</b>
Enclosure	<b>Totally Enclosed Fan Cooled</b>	Overload Protector	<b>No</b>
Ambient Temperature	<b>40 °C</b>	Drive End Bearing Size	<b>6311</b>
Opp Drive End Bearing Size	<b>6211</b>	UL	<b>Listed</b>
CSA	<b>Y</b>	CE	<b>Y</b>
IP Code	<b>55</b>		

### Technical Specifications

Electrical Type	<b>Squirrel Cage Inverter Rated</b>	Starting Method	<b>Wye Start Delta Run Or Inverter</b>
Poles	<b>6</b>	Rotation	<b>Reversible</b>
Mounting	<b>Rigid base</b>	Motor Orientation	<b>Horizontal Or Shaft Down</b>
Drive End Bearing	<b>Ball</b>	Opp Drive End Bearing	<b>Ball</b>
Frame Material	<b>Cast Iron</b>	Shaft Type	<b>JP</b>
Frame Length	<b>11.41 in</b>	Shaft Diameter	<b>1.26 in</b>
Shaft Extension	<b>8.37 in</b>	Assembly/Box Mounting	<b>F1/F2 Capable</b>
Outline Drawing	<b>SS620811</b>	Connection Diagram	<b>EE7308AA</b>

This is an uncontrolled document once printed or downloaded and is subject to change without notice. Date Created: 07/02/2018

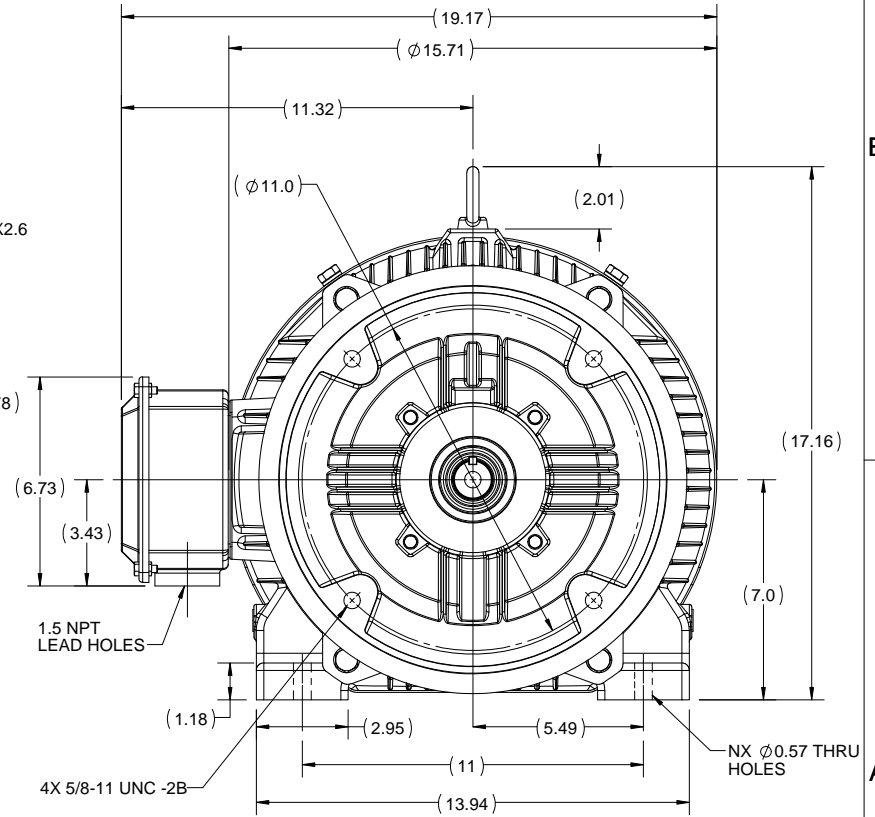
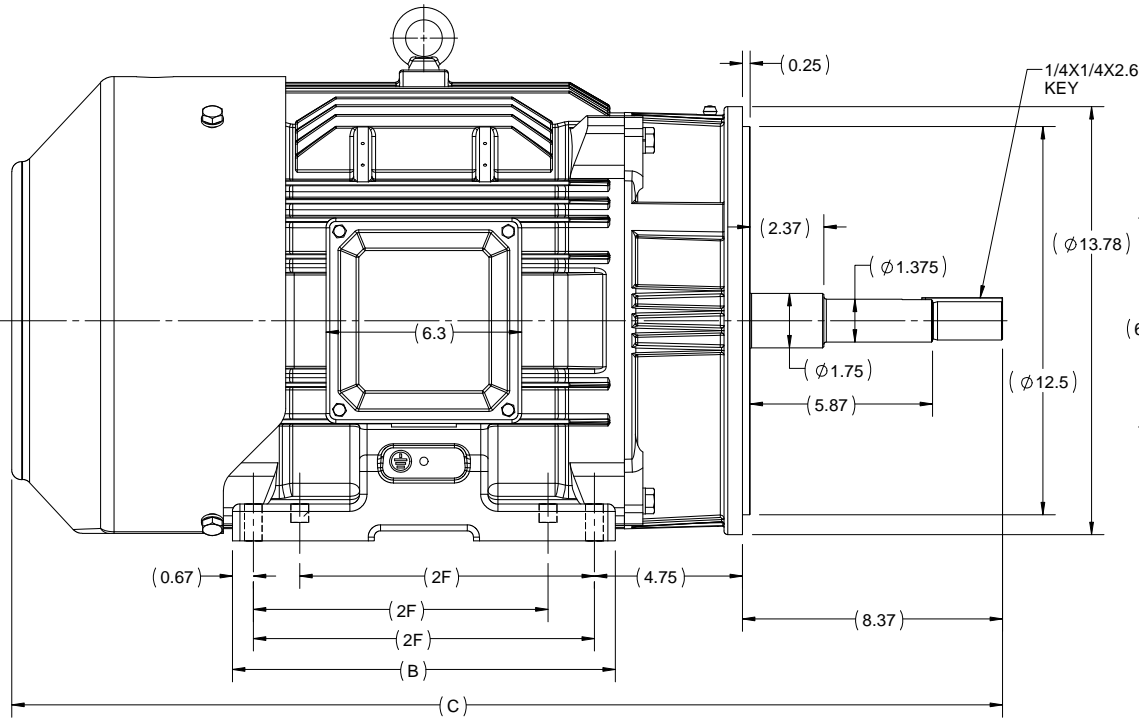
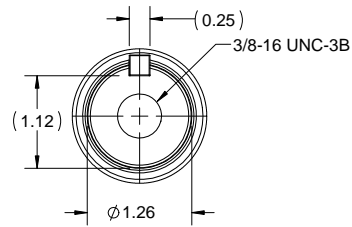
# OUTLINE

B

B

A

A



286-JP	12.32	31.90	11	8
284-JP	10.82	30.40	9.5	4
FRAME	B	C	2F	N

4

3

2

1

DRAWING REVISION A	REVISION BY SN	DATE 21/04/2017
ECO ECO-0122138	APPROVED BY SBD	DATE 21/04/2017
ECO DESCRIPTION NEW DRAWING RELEASE		
<small>COPYRIGHT REGAL BELOIT AMERICA, INC. ALL RIGHTS RESERVED.          PROPRIETARY AND CONFIDENTIAL INFORMATION - THIS DOCUMENT IS THE PROPERTY OF          REGAL BELOIT AMERICA, INC. (OWNER) AND CONTAINS OWNER'S PROPRIETARY          INFORMATION. ANY PERSON, CORPORATION OR OTHER FIRM RECEIVING IT IS DEEMED,          BY RECEIVING IT, TO AGREE THAT IT, AND/OR ANY PART OF IT, SHALL NOT BE DISCLOSED          TO ANY PERSON, CORPORATION OR OTHER ENTITY, DUPLICATED, AND/OR USED, EXCEPT          AS EXPRESSLY APPROVED IN WRITING IN ADVANCE BY OWNER. THIS DOCUMENT SHALL          BE RETURNED TO OWNER UPON REQUEST. IT MAY BE SUBJECT TO CERTAIN          RESTRICTIONS UNDER APPLICABLE EXPORT CONTROL LAWS AND REGULATIONS.</small>		

DRAWN BY SN
DATE 12/04/2017
APPROVED BY SBD
DATE 12/04/2017
REFERENCE



DESCRIPTION  
**OUTLINE**  
TEFC-284/286JP FR-CAST IRON

THIRD ANGLE PROJECTION	SIZE B	DRAWING NUMBER SS620811	PROCESS/FINISH	SHEET 1 OF 1
---------------------------	-----------	----------------------------	----------------	-----------------



**LOW VOLTAGE**

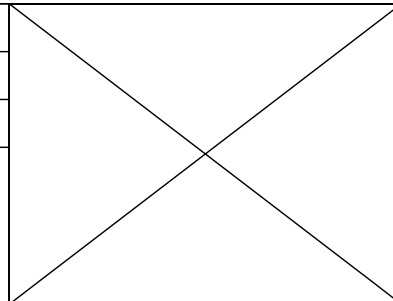


**HIGH VOLTAGE**



**VIEW OF TERMINAL END**

DRAWING REVISION <b>K</b>	REVISION BY <b>AJW</b>	DATE <b>07-17-2015</b>
ECO <b>ECO-0081632</b>	APPROVED BY <b>T. VUE</b>	DATE <b>07-17-2015</b>
ECO DESCRIPTION <b>REV'D IEC MARKINGS PER IEC 60034-8</b>		
<small>COPYRIGHT REGAL BELOIT AMERICA, INC. ALL RIGHTS RESERVED.          PROPRIETARY AND CONFIDENTIAL INFORMATION - THIS DOCUMENT IS THE PROPERTY OF          REGAL BELOIT AMERICA, INC. ("OWNER") AND CONTAINS OWNER'S PROPRIETARY          INFORMATION. ANY PERSON, CORPORATION OR OTHER FIRM RECEIVING IT IS DEEMED,          BY RECEIVING IT, TO AGREE THAT IT, AND/OR ANY PART OF IT, SHALL NOT BE DISCLOSED          TO ANY PERSON, CORPORATION OR OTHER ENTITY, DUPLICATED, AND/OR USED, EXCEPT          AS EXPRESSLY APPROVED IN WRITING IN ADVANCE BY OWNER. THIS DOCUMENT SHALL          BE RETURNED TO OWNER UPON REQUEST. IT MAY BE SUBJECT TO CERTAIN          RESTRICTIONS UNDER APPLICABLE EXPORT CONTROL LAWS AND REGULATIONS.</small>		



DRAWN BY <b>LZ</b>	<b>Regal Beloit America, Inc.</b>	
DATE <b>01-12-1994</b>		
APPROVED BY <b>GK</b>	<b>DESCRIPTION</b> <b>CONN DIAGRAM-EXTERNAL</b> <b>3Ø-2/1 DELTA-12 LEADS</b>	
DATE <b>01-14-1994</b>		
REFERENCE	MATERIAL	PROCESS/FINISH
THIRD ANGLE PROJECTION	SIZE <b>A</b>	DRAWING NUMBER <b>EE7308AA</b>
		SHEET <b>1 OF 1</b>



**P.O. BOX 8003  
WAUSAU, WI 54401-8003  
PH. 715-675-3311**

**CERTIFICATION DATA SHEET**

**CUSTOMER:** CUSTOMER  
**ORDER #:** PO #:  
**CONN. DIAGRAM:** EE7308AA **MODEL #:** 284TTFCDD6085 AA  
**OUTLINE:** SS620811 **#:**  
**WINDING #:** HE31806006 2 **MOUNTING:** F1/F2 CAPABLE

**TYPICAL MOTOR PERFORMANCE DATA**

HP	KW	SYNC. RPM	F.L. RPM	FRAME	ENCLOSURE	KVA CODE	DESIGN
15&10	11.2&7.50	1200	1182&985	284JPV	TEFC	G	B

PH	HZ	VOLTS	AMPS	START TYPE	DUTY	INSL	S.F.	AMB°C
3	60/50	230/460&190/380	40/20&34.5/17.2	Y START D RUN OR INV	CONTINUOUS	F7	1.15/1.15	40

<b>FULL LOAD EFF:</b>	91.7&91	<b>3/4 LOAD EFF:</b>	91.7	<b>1/2 LOAD EFF:</b>	91	<b>GTD. EFF</b>		<b>ELEC. TYPE</b>
<b>FULL LOAD PF:</b>	77.5&72	<b>3/4 LOAD PF:</b>	70.5	<b>1/2 LOAD PF:</b>	58	91		SQ CAGE INV RATED

F.L. TORQUE	LOCKED ROTOR AMPS	L.R. TORQUE	B.D. TORQUE	F.L. RISE°C
66.7 LB-FT	232 / 116	115 LB-FT	172 %	157 LB-FT 235 %
				55

SOUND PRESSURE @ 3 FT.	SOUND POWER	ROTOR WK^2	MAX. WK^2	SAFE STALL TIME	STARTS / HOUR	APPROX. MOTOR WGT
56 DBA	66 DBA	- LB-FT^2	- LB-FT^2	20 SEC.	2	- LBS.

**\*\*\* SUPPLEMENTAL INFORMATION \*\*\***

DE BRACKET TYPE	ODE BRACKET TYPE	MOUNT TYPE	ORIENTATION	SEVERE DUTY	HAZARDOUS LOCATION	DRIP COVER	SCREENS	PAINT
C-FACE	STANDARD	RIGID	HORIZONTAL OR SHAFT DOWN	FALSE	DIVISION 2 T2B	FALSE	NONE	BLUE (ENAMEL)

BEARINGS		GREASE	SHAFT TYPE	SPECIAL DE	SPECIAL ODE	SHAFT MATERIAL	FRAME MATERIAL
DE	ODE						
BALL	BALL	POLYREX EM	JP	NONE	NONE	1045 HOT ROLLED (C-204)	CAST IRON
6311	6211						

THERMO-PROTECTORS				THERMISTORS	CONTROL	SPACE HEATERS
THERMOSTATS	PROTECTORS	WDG RTDS	BRG RTDS	NONE	FALSE	NONE
NONE	NOT	NONE	NONE	NONE <td>FALSE <td>NONE </td></td>	FALSE <td>NONE </td>	NONE

**\***

**INVERTER**  
 TORQUE: CONSTANT 20:1/VARIABLE 20:1

**INV. HP SPEED RANGE:** NONE

**ENCODER:** NONE  
 NONE NONE  
 NONE NONE PPR

**BRAKE:** NONE NONE  
 NONE P/N NONE  
 NONE NONE  
 NONE FT-LB NONE V NONE HZ

**S**

\*

**PREPARED BY:** Anusha Muthyala

**DATE:** 05/04/2018 03:24:24 AM

**FORM:** 3531 REV.3 02/07/99

**\*\* Subject to change without notice.**

**MARATHON ELECTRIC CORPORATION**

TYPICAL PERFORMANCE CURVE for AC MOTOR

Customer

Curve at

460

Volts

HP 15&10

PHASE 3

Model No 284TTFC6085

60

HZ

VOLTS 230/460&190/380

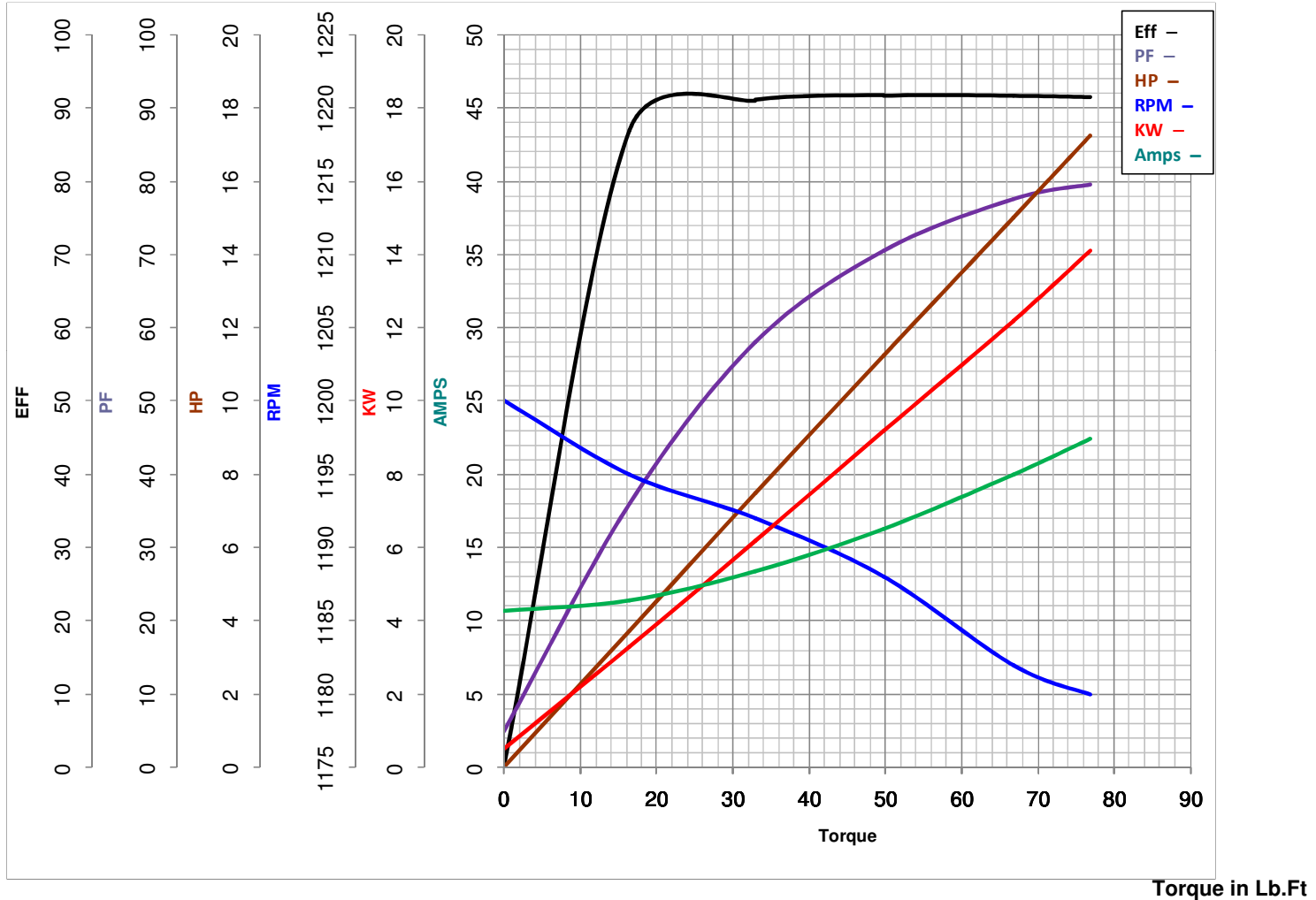
15

HP

Catalog No GT3423A

HZ 60&50

RPM 1182&985



FL TORQUE	<u>66.7</u>	Lb.Ft	FL AMPS	<u>40/20</u>	
BD TORQUE	<u>157.0</u>	Lb.Ft	PU TORQUE	<u>97.0</u>	Lb.Ft
LR TORQUE	<u>115</u>	Lb.Ft	LR AMPS	<u>116</u>	
WINDING	HE31806006-2	Prepared By	ANUSHA M	Date	5/4/2018