

PRODUCT INFORMATION PACKET

marathon[®]
Motors

Model No: 256TTFCD6085
Catalog No: GT3420A
10,1200,TEFC,256JP,3/60/230/460
JP



Regal and Marathon are trademarks of Regal Beloit Corporation or one of its affiliated companies.
©2018 Regal Beloit Corporation, All Rights Reserved. MC017097E

REGAL[®]



Nameplate Specifications

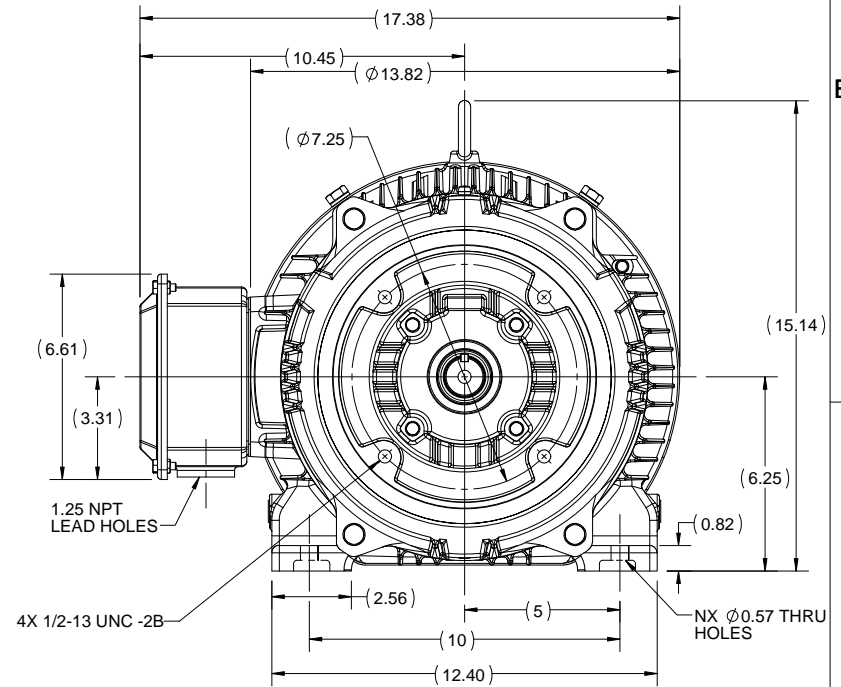
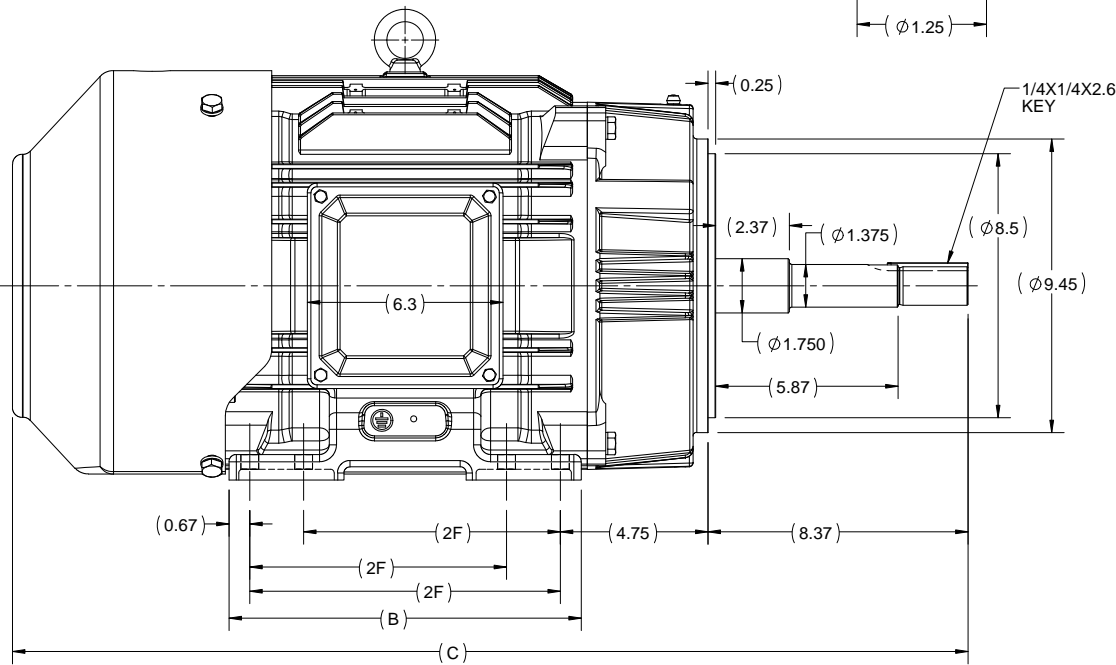
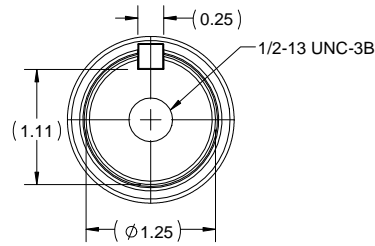
Output HP	10 Hp	Output KW	7.5 kW
Frequency	60 Hz	Voltage	230/460 V
Current	25.8/12.9 A	Speed	1180 rpm
Service Factor	1.15	Phase	3
Efficiency	91 %	Duty	Continuous
Insulation Class	F	Design Code	B
KVA Code	G	Frame	256JP
Enclosure	Totally Enclosed Fan Cooled	Overload Protector	No
Ambient Temperature	40 °C	Drive End Bearing Size	6309
Opp Drive End Bearing Size	6209	UL	Listed
CSA	Y	CE	Y
IP Code	55		

Technical Specifications

Electrical Type	Squirrel Cage Inverter Rated	Starting Method	Line Or Inverter
Poles	6	Rotation	Reversible
Mounting	Rigid base	Motor Orientation	Horizontal
Drive End Bearing	Ball	Opp Drive End Bearing	Ball
Frame Material	Cast Iron	Shaft Type	JP
Frame Length	11.73 in	Shaft Diameter	1.25 in
Shaft Extension	8.37 in	Assembly/Box Mounting	F1/F2 Capable
Outline Drawing	SS620809	Connection Diagram	EE7308K


This is an uncontrolled document once printed or downloaded and is subject to change without notice. Date Created: 07/02/2018

OUTLINE



256-JP	11.34	30.76	10	8
254-JP	9.60	29.02	8.25	4
FRAME	B	C	2F	N

DRAWING REVISION A	REVISION BY SN	DATE 21/04/2017
ECO ECO-0122138	APPROVED BY SBD	DATE 21/04/2017
ECO DESCRIPTION NEW DRAWING RELEASE		
<small>COPYRIGHT REGAL BELOIT AMERICA, INC. ALL RIGHTS RESERVED. PROPRIETARY AND CONFIDENTIAL INFORMATION - THIS DOCUMENT IS THE PROPERTY OF REGAL BELOIT AMERICA, INC. (OWNER) AND CONTAINS OWNER'S PROPRIETARY INFORMATION. ANY PERSON, CORPORATION OR OTHER FIRM RECEIVING IT IS DEEMED, BY RECEIVING IT, TO AGREE THAT IT, AND/OR ANY PART OF IT, SHALL NOT BE DISCLOSED TO ANY PERSON, CORPORATION OR OTHER ENTITY, DUPLICATED, AND/OR USED, EXCEPT AS EXPRESSLY APPROVED IN WRITING IN ADVANCE BY OWNER. THIS DOCUMENT SHALL BE RETURNED TO OWNER UPON REQUEST. IT MAY BE SUBJECT TO CERTAIN RESTRICTIONS UNDER APPLICABLE EXPORT CONTROL LAWS AND REGULATIONS.</small>		

DRAWN BY SN	 REGAL-BELOIT CORPORATION
DATE 12/04/2017	
APPROVED BY SBD	DESCRIPTION OUTLINE
DATE 12/04/2017	TEFC-254/256 JP FR-CAST IRON
REFERENCE	MATERIAL
THIRD ANGLE PROJECTION	PROCESS/FINISH
SIZE B	DRAWING NUMBER SS620809
	SHEET 1 OF 1


LOW VOLTAGE



HIGH VOLTAGE



VIEW OF TERMINAL END

				TOLERANCES UNLESS SPECIFIED		 REGAL - BELOIT CORPORATION	DRAWN PGK 06-04-1997			
NO.	REVISION	BY & DATE	CHK	ANG	±		INCHES	CHK	ML 06-05-1997	
E	CORRECTED IEC MARKINGS ECD-0111208	WGJ 01-23-2017	EMH	DEC.						
D	RE-DRAWN WITH REGAL LOGO ECD-0110493	WGJ 09-30-2016	EMH	.X	±.1			APPD GK 06-15-1997		
8	ADDED IEC DESIGNATIONS MU95020	TJW 4/30/2010	MJS	.XX	±.02	TITLE	CONNECTION DIAGRAM			
7	REVISED HIGH VOLTAGE L2 WAS L3 CN52600-354	MRB 09-21-1998		.XXX	±.005	DELTA CON. - 3Ø - 9 LEADS		SCALE		
6	REDRAWN ON CADD	PGK 06-05-1997		.XXXX	±.0005	MAT'L.		REF		
					±7'30"	FINISH		FMF		
								PREV		
THIS DRAWING IN DESIGN AND DETAIL IS OUR PROPERTY AND MUST NOT BE USED EXCEPT IN CONNECTION WITH OUR WORK ALL RIGHTS OF DESIGN AND INVENTION ARE RESERVED THIS IS AN ELECTRONICALLY GENERATED DOCUMENT - DO NOT SCALE THIS PRINT						RFP	CAD FILE EE7308K	SIZE	DRAWING NO. PAGE OF	REV.
						DIST		A	EE7308K	E



**P.O. BOX 8003
WAUSAU, WI 54401-8003
PH. 715-675-3311**

CERTIFICATION DATA SHEET

CUSTOMER:
ORDER #:
CONN. DIAGRAM:
OUTLINE:
WINDING #:

CUSTOMER PO #:
MODEL #:
CUSTOMER PART #:
MOUNTING:

TYPICAL MOTOR PERFORMANCE DATA

HP	KW	SYNC. RPM	F.L. RPM	FRAME	ENCLOSURE	KVA CODE	DESIGN	
108.7 1/2	7.5085.60	1200	11808.980	256JP	TEFC	G	B	
PH	Hz	VOLTS	AMPS	START TYPE	DUTY	INSL	S.F.	AMB°C
3	60/50	230/460&190/380	25.8/12.9&24/12	LINE OR INVERTER	CONTINUOUS	F7	1.15/1.15	40

FULL LOAD EFF:	91.890.2	3/4 LOAD EFF:	91	1/2 LOAD EFF:	90.2	GTD. EFF	90.2	ELEC. TYPE
FULL LOAD PF:	80.5&8.79	3/4 LOAD PF:	75	1/2 LOAD PF:	64	SQ CAGE INV RATED		
F.L. TORQUE LB-FT	LOCKED ROTOR AMPS	L.R. TORQUE LB-FT	87	B.D. TORQUE LB-FT	106	238 %	F.L. RISE°C	45
44.5	152 / 76	195 %						

SOUND PRESSURE @ 3 FT. DBA	56	SOUND POWER DBA	66	ROTOR WK^2 LB-FT^2	2.9	MAX. WK^2 LB-FT^2	200	SAFE STALL TIME SEC.	20	STARTS / HOUR	2	APPROX. MOTOR WGT LBS.	375
-----------------------------------	----	------------------------	----	---------------------------	-----	--------------------------	-----	-----------------------------	----	----------------------	---	-------------------------------	-----

***** SUPPLEMENTAL INFORMATION *****

DE BRACKET TYPE	ODE BRACKET TYPE	MOUNT TYPE	ORIENTATION	SEVERE DUTY	HAZARDOUS LOCATION	DIVISION	DRIP COVER	SCREENS	PAINT
C-FACE	STANDARD	RIGID	HORIZONTAL	FALSE	2 T2B	FALSE	NONE	NONE	BLUE (ENAMEL)
BEARINGS DE ODE	GREASE	SHAFT TYPE	SPECIAL DE	SPECIAL ODE	SHAFT MATERIAL	FRAME MATERIAL			
BALL BALL	POLYREX EM	JP	NONE	NONE	1045 HOT ROLLED (C-204)	CAST IRON			
6309	6209								

THERMO-PROTECTORS				THERMISTORS			CONTROL		SPACE HEATERS	
THERMOSTATS	PROTECTORS	WDG RTDS	BRG RTDS	NONE	FALSE	NONE	FALSE	NONE	NONE	VOLTS
NONE	NOT	NONE	NONE							

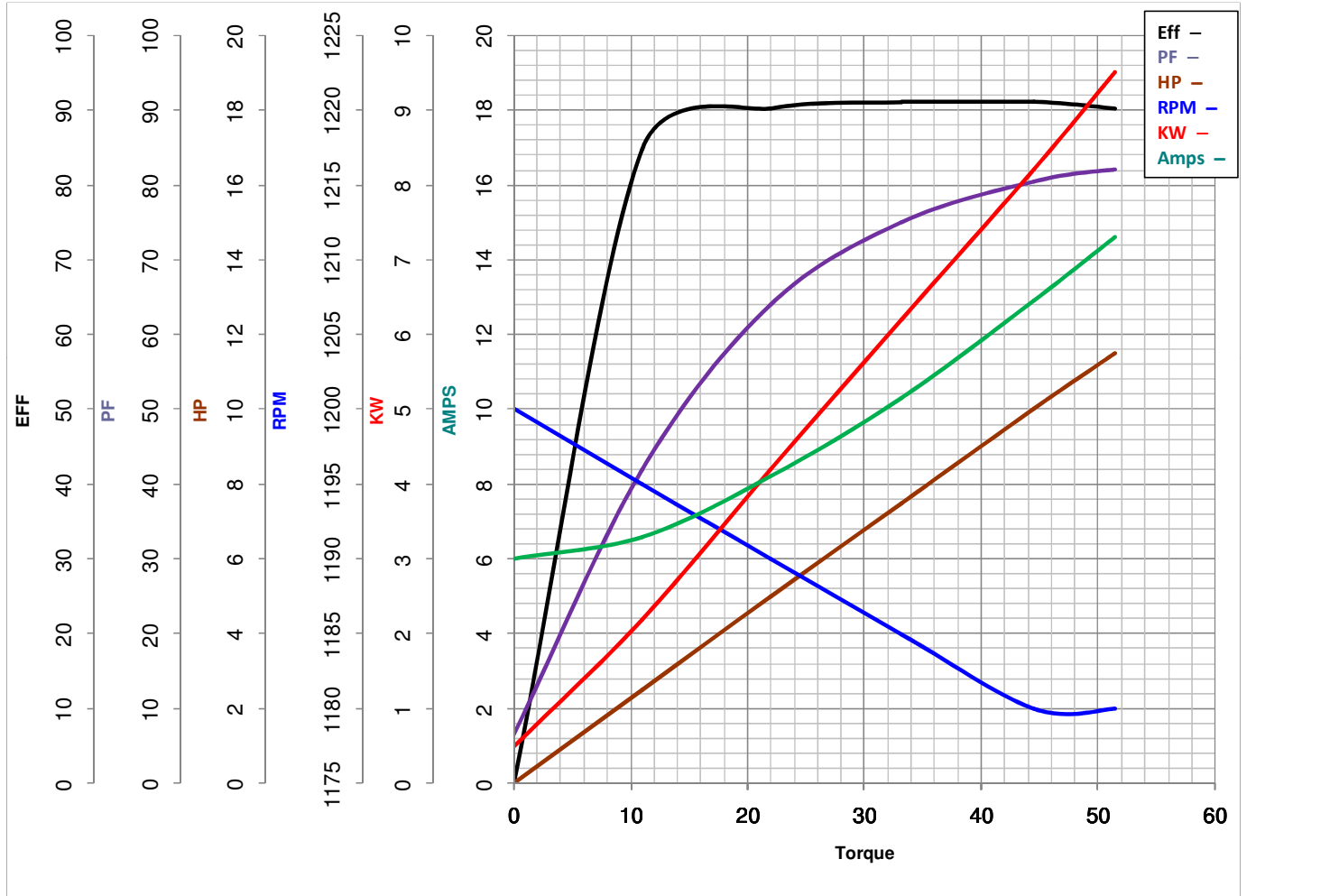
* INVERTER	TORQUE:	CONSTANT 20:1/VARIABLE 20:1
N INV. HP SPEED RANGE:	NONE	
O ENCODER:	NONE	
T NONE	NONE	PPR
E NONE	NONE	P/N NONE
S NONE	FT-LB	NONE V NONE HZ

PREPARED BY: Anusha Muthyala
DATE: 05/04/2018 02:08:49 AM
FORM 3531 REV.3 02/07/99
** Subject to change without notice.

MARATHON ELECTRIC CORPORATION

TYPICAL PERFORMANCE CURVE for AC MOTOR

Customer _____ Curve at 460 Volts HP 10&7.5 PHASE 3
 Model No 256TTFC6085 60 HZ
10 HP VOLTS 230/460&190/380
 Catalog No GT3420A HZ 60&50 RPM 1180&980



FL TORQUE	<u>44.5</u>	Lb.Ft	FL AMPS	<u>25.8/12.9</u>
BD TORQUE	<u>106.0</u>	Lb.Ft	PU TORQUE	<u>73.5</u> Lb.Ft
LR TORQUE	<u>87</u>	Lb.Ft	LR AMPS	<u>76</u>
WINDING	HE31606006-2	Prepared By	ANUSHA M	Date
				5/4/2018