

PRODUCT INFORMATION PACKET

marathon[®]
Motors

Model No: 254TTFCD6031
Catalog No: GT3122A
15,1800,TEFC,254JM,3/60/230/460
JM



Regal and Marathon are trademarks of Regal Beloit Corporation or one of its affiliated companies.
©2018 Regal Beloit Corporation, All Rights Reserved. MC017097E

REGAL[®]



Nameplate Specifications

Output HP	15 Hp	Output KW	11.2 kW
Frequency	60 Hz	Voltage	230/460 V
Current	37.5/18.8 A	Speed	1772 rpm
Service Factor	1.15	Phase	3
Efficiency	92.4 %	Duty	Continuous
Insulation Class	F	Design Code	B
KVA Code	G	Frame	254JM
Enclosure	Totally Enclosed Fan Cooled	Overload Protector	No
Ambient Temperature	40 °C	Drive End Bearing Size	6309
Opp Drive End Bearing Size	6209	UL	Listed
CSA	Y	CE	Y
IP Code	55		

Technical Specifications

Electrical Type	Squirrel Cage Inverter Rated	Starting Method	Line Or Inverter
Poles	4	Rotation	Reversible
Mounting	Rigid base	Motor Orientation	Horizontal
Drive End Bearing	Ball	Opp Drive End Bearing	Ball
Frame Material	Cast Iron	Shaft Type	JM
Frame Length	10.00 in	Shaft Diameter	1.25 in
Shaft Extension	5.5 in	Assembly/Box Mounting	F1/F2 Capable
Outline Drawing	SS620795	Connection Diagram	EE7308K

This is an uncontrolled document once printed or downloaded and is subject to change without notice. Date Created: 07/02/2018

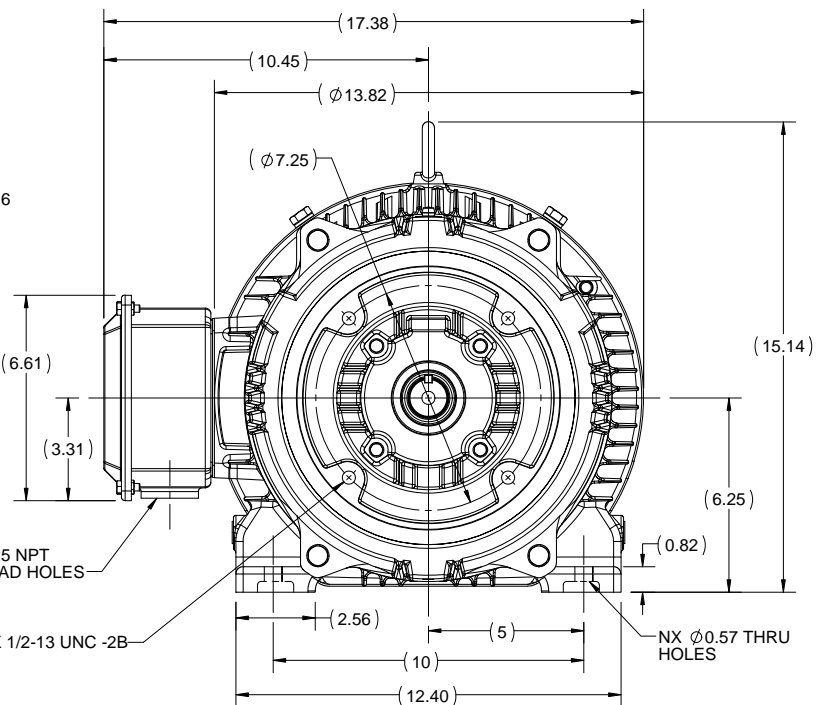
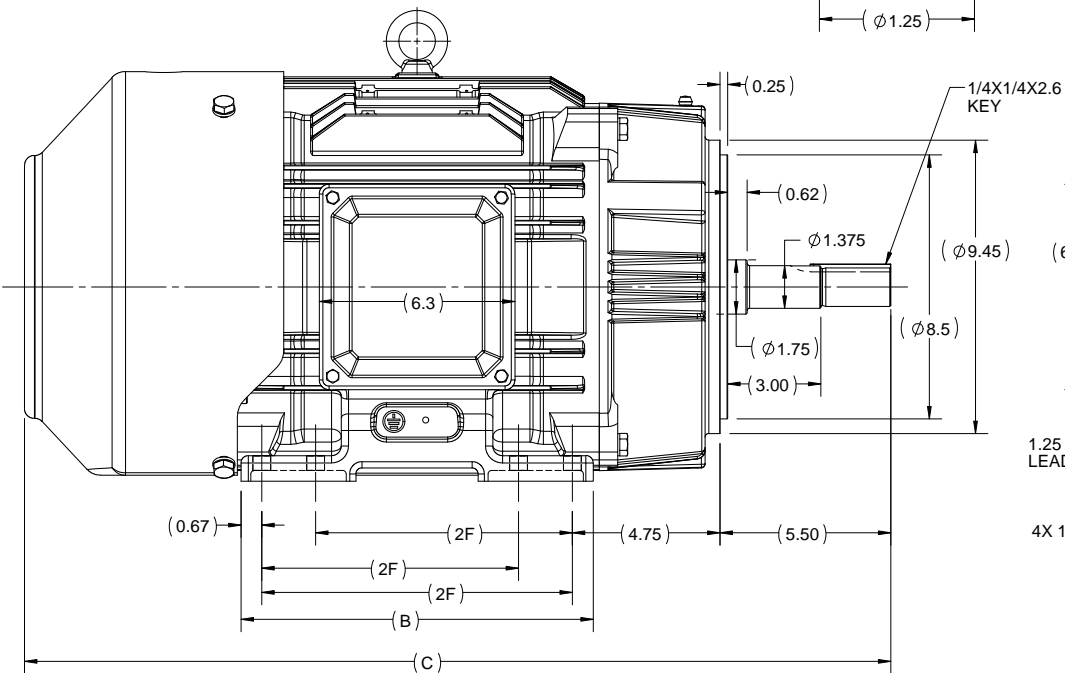
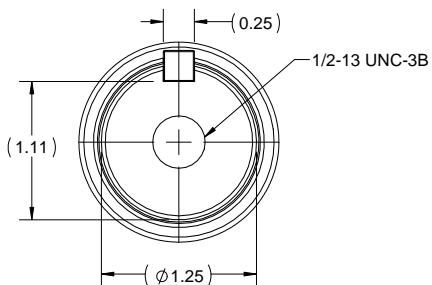
OUTLINE

B

B

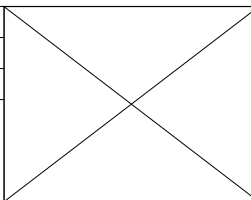
A

A



256-JM	11.34	27.89	10	8
254-JM	9.60	26.15	8.25	4
FRAME	B	C	2F	N

DRAWING REVISION A	REVISION BY SN	DATE 21/04/2017
ECO ECO-0122138	APPROVED BY SBD	DATE 21/04/2017
ECO DESCRIPTION NEW DRAWING RELEASE		
<small>COPYRIGHT REGAL BELOIT AMERICA, INC. ALL RIGHTS RESERVED. PROPRIETARY AND CONFIDENTIAL INFORMATION - THIS DOCUMENT IS THE PROPERTY OF REGAL BELOIT AMERICA, INC. (OWNER) AND CONTAINS OWNER'S PROPRIETARY INFORMATION. ANY PERSON, CORPORATION OR OTHER FIRM RECEIVING IT IS DEEMED, BY RECEIVING IT, TO AGREE THAT IT, AND/OR ANY PART OF IT, SHALL NOT BE DISCLOSED TO ANY PERSON, CORPORATION OR OTHER ENTITY, DUPLICATED, AND/OR USED, EXCEPT AS EXPRESSLY APPROVED IN WRITING IN ADVANCE BY OWNER. THIS DOCUMENT SHALL BE RETURNED TO OWNER UPON REQUEST. IT MAY BE SUBJECT TO CERTAIN RESTRICTIONS UNDER APPLICABLE EXPORT CONTROL LAWS AND REGULATIONS.</small>		



DRAWN BY SN
DATE 12/04/2017
APPROVED BY SBD
DATE 12/04/2017
REFERENCE
THIRD ANGLE PROJECTION

REGAL-BELOIT CORPORATION	
DESCRIPTION OUTLINE TEFC-254/256 JM FR--CAST IRON	
MATERIAL	PROCESS/FINISH
SIZE B	DRAWING NUMBER SS620795
	SHEET 1 OF 1


LOW VOLTAGE



HIGH VOLTAGE



VIEW OF TERMINAL END

				TOLERANCES UNLESS SPECIFIED		 REGAL - BELOIT CORPORATION	DRAWN PGK 06-04-1997		
NO.	REVISION	BY & DATE	CHK	ANG	±		UNIT	CHK	ML 06-05-1997
E	CORRECTED IEC MARKINGS ECD-0111208	WGJ 01-23-2017	EMH	DEC.		INCHES			
D	RE-DRAWN WITH REGAL LOGO ECD-0110493	WGJ 09-30-2016	EMH	.X	±.1			APPD GK 06-15-1997	
8	ADDED IEC DESIGNATIONS MU95020	TJW 4/30/2010	MJS	.XX	±.02		TITLE	SCALE	
7	REVISED HIGH VOLTAGE L2 WAS L3 CN52600-354	MRB 09-21-1998		.XXX	±.005		CONNECTION DIAGRAM	REF	
6	REDRAWN ON CADD	PGK 06-05-1997		.XXXX	±.0005		DELTA CON. - 3Ø - 9 LEADS	FMF	
					±7'30"		MAT'L.	PREV	
							FINISH		
THIS DRAWING IN DESIGN AND DETAIL IS OUR PROPERTY AND MUST NOT BE USED EXCEPT IN CONNECTION WITH OUR WORK ALL RIGHTS OF DESIGN AND INVENTION ARE RESERVED THIS IS AN ELECTRONICALLY GENERATED DOCUMENT - DO NOT SCALE THIS PRINT				RFP	CAD FILE EE7308K		SIZE	DRAWING NO. PAGE OF	REV.
				DIST			A	EE7308K	E



**P.O. BOX 8003
WAUSAU, WI 54401-8003
PH. 715-675-3311**

CERTIFICATION DATA SHEET

CUSTOMER: CUSTOMER PO #:
ORDER #: MODEL #: 254TTFCDD6031 AA
CONN. DIAGRAM: EE7308K CUSTOMER PART #:
OUTLINE: SS620795 MOUNTING: F1/F2 CAPABLE
WINDING #: HE31604011 2

TYPICAL MOTOR PERFORMANCE DATA

HP	KW	SYNC. RPM	F.L. RPM	FRAME	ENCLOSURE	KVA CODE	DESIGN	
158.10	11.2&7.50	1800	1772&1478	254JM	TEFC	G	B	
PH	Hz	VOLTS	AMPS	START TYPE	DUTY	INSL	S.F.	AMB°C
3	60/50	230/460&190/380	37.5/18.8&31.5/15.7	LINE OR INVERTER	CONTINUOUS	F7	1.15/1.15	40

FULL LOAD EFF:	92.4892.1	3/4 LOAD EFF:	92.4	1/2 LOAD EFF:	91.7	GTD. EFF	91.7	ELEC. TYPE
FULL LOAD PF:	82&78.5	3/4 LOAD PF:	76.5	1/2 LOAD PF:	65.5			SQ CAGE INV RATED
F.L. TORQUE LB-FT	LOCKED ROTOR AMPS	L.R. TORQUE LB-FT	226 / 113	B.D. TORQUE LB-FT	91	118	265 %	F.L. RISE°C
44.5								50

SOUND PRESSURE @ 3 FT. DBA	SOUND POWER DBA	ROTOR WK^2 LB-FT^2	65	MAX. WK^2 LB-FT^2	75	SAFE STALL TIME SEC.	2.4	STARTS / HOUR	APPROX. MOTOR WGT LBS.
			110				20	2	400

***** SUPPLEMENTAL INFORMATION *****

DE BRACKET TYPE	ODE BRACKET TYPE	MOUNT TYPE	ORIENTATION	SEVERE DUTY	HAZARDOUS LOCATION	DRIP COVER	SCREENS	PAINT
C-FACE	STANDARD	RIGID	HORIZONTAL	FALSE	DIVISION 2 T2B	FALSE	NONE	BLUE (ENAMEL)
BEARINGS DE ODE	GREASE	SHAFT TYPE	SPECIAL DE	SPECIAL ODE	SHAFT MATERIAL	FRAME MATERIAL		
BALL BALL 6309	POLYREX EM	JM	NONE	NONE	1045 HOT ROLLED (C-204)	CAST IRON		

THERMO-PROTECTORS				THERMISTORS			SPACE HEATERS	
THERMOSTATS	PROTECTORS	WDG RTDS	BRG RTDS	NONE	FALSE	NONE	NONE	VOLTS
NONE	NOT	NONE	NONE					

INVERTER TORQUE:	CONSTANT 20:1/VARIABLE 20:1
INV. HP SPEED RANGE:	NONE
ENCODER:	NONE
NONE	NONE
NONE	PPR
BRAKE:	NONE
NONE	P/N NONE
NONE	NONE
NONE	FT-LB NONE V NONE Hz

PREPARED BY: Anusha Muthyala
DATE: 05/04/2018 12:42:23 AM
FORM 3531 REV.3 02/07/99
 ** Subject to change without notice.

MARATHON ELECTRIC CORPORATION

TYPICAL PERFORMANCE CURVE for AC MOTOR

Customer

Curve at

460

Volts

HP 15&10

PHASE 3

Model No 254TTFC6031

60

HZ

VOLTS 230/460&190/380

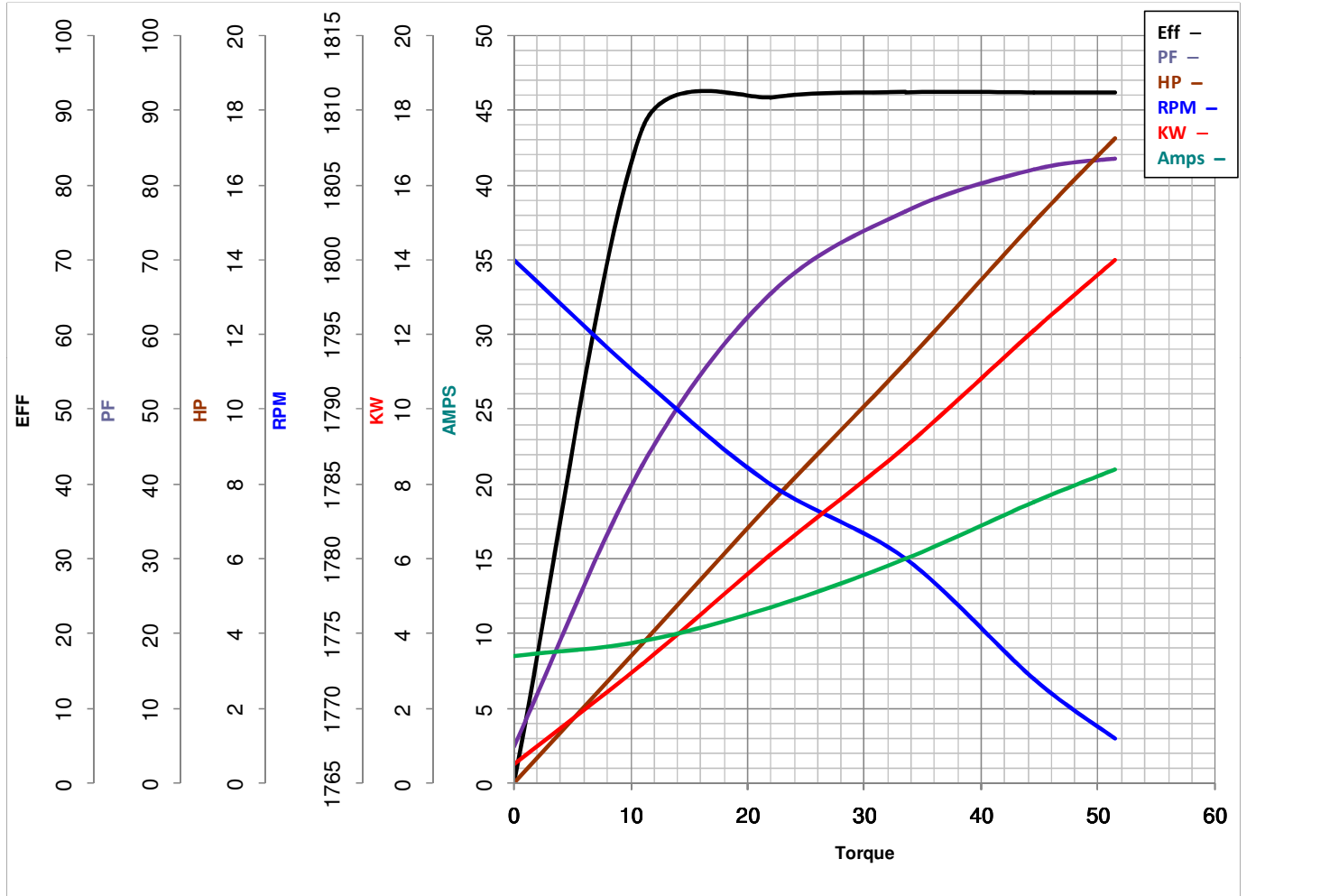
15

HP

Catalog No GT3122A

HZ 60&50

RPM 1772&1478



Torque in Lb.Ft

FL TORQUE 44.5 Lb.Ft
 BD TORQUE 118.0 Lb.Ft
 LR TORQUE 91 Lb.Ft

FL AMPS 37.5/18.8
 PU TORQUE 76.5 Lb.Ft
 LR AMPS 113

WINDING HE31604011-2 Prepared By ANUSHA M

Date 5/4/2018