

PRODUCT INFORMATION PACKET

Model No: 326TTDCA6085
Catalog No: GT2432
30,1200,DP,326JP,3/60/230/460
JP



Regal and Marathon are trademarks of Regal Beloit Corporation or one of its affiliated companies.
©2018 Regal Beloit Corporation, All Rights Reserved. MC017097E





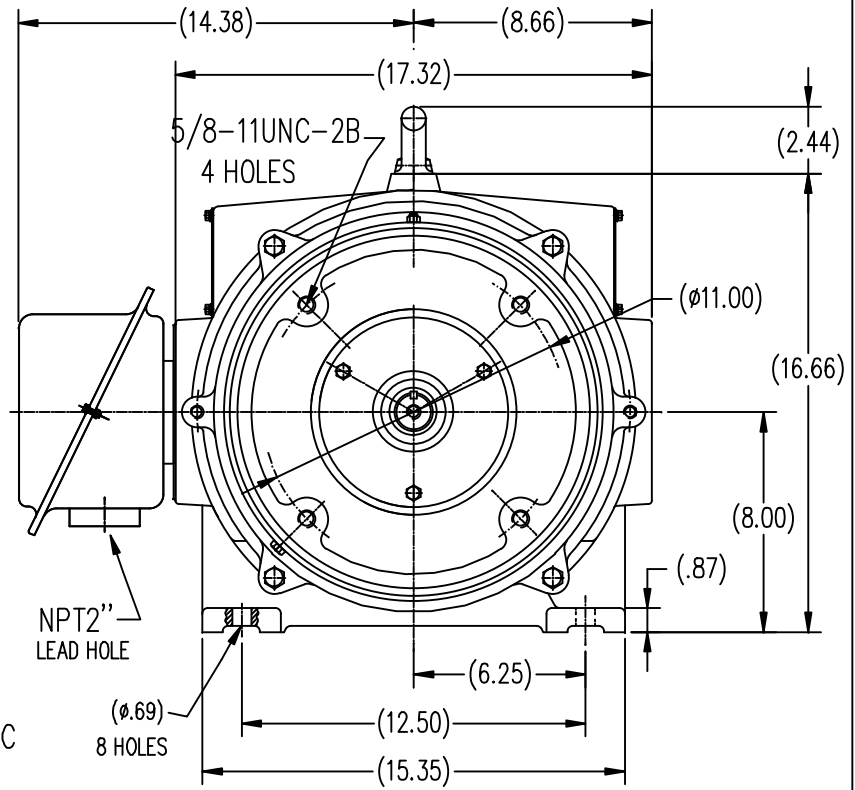
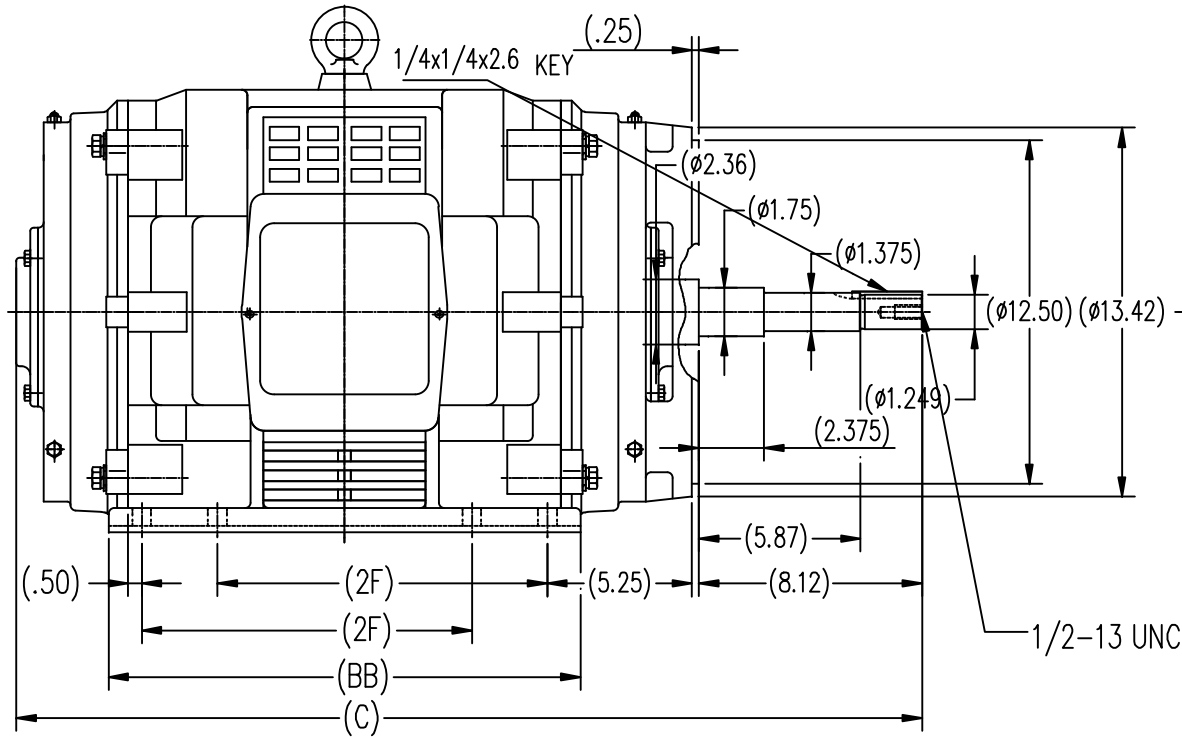
Nameplate Specifications

Output HP	30 Hp	Output KW	22.4 kW
Frequency	60 Hz	Voltage	230/460 V
Current	81/40.5 A	Speed	1190 rpm
Service Factor	1.15	Phase	3
Efficiency	93.6 %	Duty	CONTINUOUS
Insulation Class	F	Design Code	B
KVA Code	G	Frame	326JPV
Enclosure	DP	Overload Protector	NOT
Ambient Temperature	40 °C	Drive End Bearing Size	6312
Opp Drive End Bearing Size	6311	UL	Recognized
CSA	Y	CE	Y
IP Code	12		

Technical Specifications

Electrical Type	SQ CAGE INV RATED	Starting Method	Y START D RUN OR INV
Poles	6	Rotation	REV
Mounting	RIGID	Motor Orientation	HORIZONTAL OR SHAFT DOWN
Drive End Bearing	BALL	Opp Drive End Bearing	BALL
Frame Material	CAST IRON	Shaft Type	JP
Overall Length	33 in	Shaft Diameter	1.25 in
Shaft Extension	8.12 in	Assembly/Box Mounting	F1/F2 CAPABLE
Outline Drawing	SS620574	Connection Diagram	EE7308AA

This is an uncontrolled document once printed or downloaded and is subject to change without notice. Date Created: 04/05/2018



324T	10.50	15.99	31.82
326T	12.00	17.17	33.00
FRAME	2F	BB	C

TOLERANCES UNLESS SPECIFIED		REGAL-BELOIT CORPORATION		DRAWN VY 05-23-2012							
DEC.	INCHES	CHK	ZYH	05-23-2012	APPD						
.X	±.1				WGH						
.XX	±.03				05-23-2012						
.XXX	±.005				1=6						
.XXXX	±.0005				REF						
NO.	REVISION	BY & DATE	CHK	ANG	±1/2	FINISH	PREV	HWADA			
THIS DRAWING IN DESIGN AND DETAIL IS OUR PROPERTY AND MUST NOT BE USED EXCEPT IN CONNECTION WITH OUR WORK ALL RIGHTS OF DESIGN AND INVENTION ARE RESERVED THIS IS AN ELECTRONICALLY GENERATED DOCUMENT - DO NOT SCALE THIS PRINT						RFP	CAD FILE	SS620574	SIZE	DRAWING NO.	REV.
						DIST			B	SS620574	



LOW VOLTAGE



HIGH VOLTAGE



DRAWING REVISION K	REVISION BY AJW	DATE 07-17-2015
ECO ECO-0081632	APPROVED BY T. VUE	DATE 07-17-2015
ECO DESCRIPTION REV'D IEC MARKINGS PER IEC 60034-8		
COPYRIGHT REGAL BELOIT AMERICA, INC. ALL RIGHTS RESERVED. PROPRIETARY AND CONFIDENTIAL INFORMATION - THIS DOCUMENT IS THE PROPERTY OF REGAL BELOIT AMERICA, INC. ("OWNER") AND CONTAINS OWNER'S PROPRIETARY INFORMATION. ANY PERSON, CORPORATION OR OTHER FIRM RECEIVING IT IS DEEMED, BY RECEIVING IT, TO AGREE THAT IT, AND/OR ANY PART OF IT, SHALL NOT BE DISCLOSED TO ANY PERSON, CORPORATION OR OTHER ENTITY, DUPLICATED, AND/OR USED, EXCEPT AS EXPRESSLY APPROVED IN WRITING IN ADVANCE BY OWNER. THIS DOCUMENT SHALL BE RETURNED TO OWNER UPON REQUEST. IT MAY BE SUBJECT TO CERTAIN RESTRICTIONS UNDER APPLICABLE EXPORT CONTROL LAWS AND REGULATIONS.		



DRAWN BY LZ	Regal Beloit America, Inc.	
DATE 01-12-1994		
APPROVED BY GK	DESCRIPTION CONN DIAGRAM-EXTERNAL 3Ø-2/1 DELTA-12 LEADS	
DATE 01-14-1994		
REFERENCE	MATERIAL	PROCESS/FINISH
THIRD ANGLE PROJECTION	SIZE A	DRAWING NUMBER EE7308AA
		SHEET 1 OF 1

Data Sheet

Date: 29-06-2017
 Customer: _____
 Attention: _____
 Submitted by: FAREEDA DUDEKULA



326TTDCA6085

Submittal

Data @ 460 V

Motor Load Data

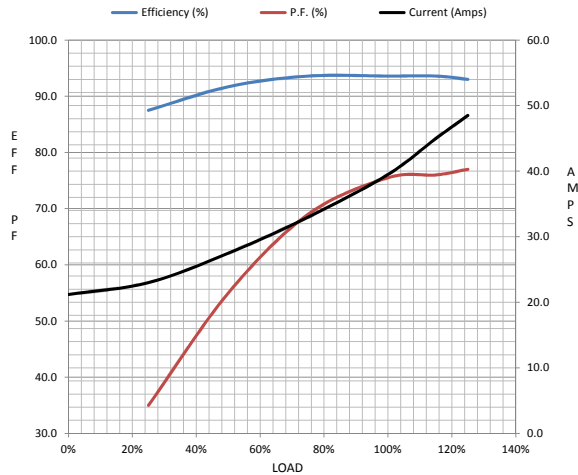
Load	0%	25%	50%	75%	100%	115%	125%	LR
Current (Amps)	21.2	23.0	27.5	33.0	39.5	45.0	48.5	200
Torque (ft-lb)	0.00	32.8	66.0	99.0	133	153	166	206
RPM	1200	1198	1196	1192	1188	1,185	1182	0
Efficiency (%)		87.5	91.7	93.6	93.6	93.6	93.0	
P.F. (%)	4.5	35.0	55.0	69.0	75.5	76.0	77.0	34.0

Motor Speed Data

	LR	Pull-Up	BD	Rated	Idle
Speed (RPM)	0	600	1145	1188	1200
Current (Amps)	200	185	135	39.5	21.2
Torque (ft-lb)	206	240	272	133	0.00

Information Block

HP	30.0			
Sync. RPM	1200			
Frame	326			
Enclosure	DP			
Construction	TDC			
Voltage	30/460#190/38V			
Frequency	60 Hz			
Design	B			
LR Code letter	G			
Service Factor	1.15			
Temp Rise @ FL	40 ° C			
Duty	CONT			
Ambient	40 ° C			
Elevation	1,000 feet			
Rotor/Shaft wk ²	13.8 Lb-Ft ²			
Ref Wdg	CHT32660003 NONE			
Sound Pressure @ 1M	69 dBA			
VFD Rating	VARIABLE 10:1			
Outline Dwg	SS620574			
Conn. Diag	EE7308AA			
Additional Specifications:				
0				
365THFS8036				
EQUIV CKT (OHMS / PHASE)				
R1	R2	X1	X2	Xm
0.1130	0.0570	0.4960	1.1340	12.3470



Speed -Torque Curve

