

# PRODUCT INFORMATION PACKET

Model No: 145TTDR16074  
Catalog No: GT2004  
1 1/2, 1800, DP, 145JM, 3/60/200  
JM



Regal and Marathon are trademarks of Regal Beloit Corporation or one of its affiliated companies.  
©2018 Regal Beloit Corporation, All Rights Reserved. MC017097E





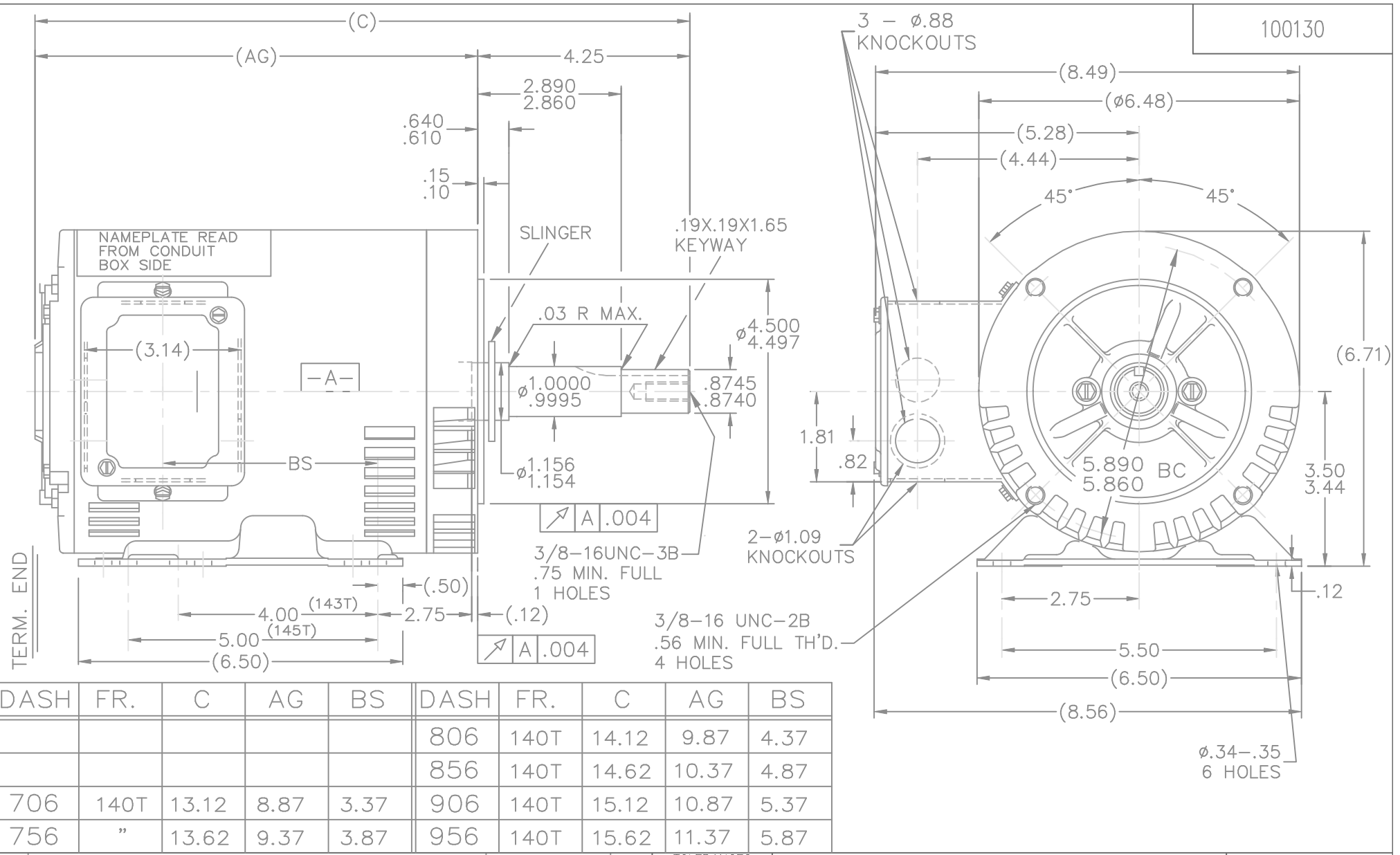
### Nameplate Specifications

Output HP	<b>1.5 Hp</b>	Output KW	<b>1.12 kW</b>
Frequency	<b>60 Hz</b>	Voltage	<b>200 V</b>
Current	<b>5.05 A</b>	Speed	<b>1755 rpm</b>
Service Factor	<b>1.15</b>	Phase	<b>3</b>
Efficiency	<b>86.5 %</b>	Duty	<b>CONTINUOUS</b>
Insulation Class	<b>F</b>	Design Code	<b>B</b>
KVA Code	<b>M</b>	Frame	<b>145JM</b>
Enclosure	<b>DP</b>	Overload Protector	<b>NOT</b>
Ambient Temperature	<b>40 °C</b>	Drive End Bearing Size	<b>6206</b>
Opp Drive End Bearing Size	<b>6203</b>	UL	<b>Recognized</b>
CSA	<b>Y</b>	CE	<b>Y</b>
IP Code	<b>22</b>		

### Technical Specifications

Electrical Type	<b>SQ CAGE INV RATED</b>	Starting Method	<b>LINE OR INVERTER</b>
Poles	<b>4</b>	Rotation	<b>REV</b>
Mounting	<b>RIGID</b>	Motor Orientation	<b>HORIZONTAL OR SHAFT DOWN</b>
Drive End Bearing	<b>BALL</b>	Opp Drive End Bearing	<b>BALL</b>
Frame Material	<b>ROLLED STEEL</b>	Shaft Type	<b>JM</b>
Overall Length	<b>15.12 in</b>	Frame Length	<b>9.06 in</b>
Shaft Diameter	<b>0.88 in</b>	Shaft Extension	<b>4.25 in</b>
Assembly/Box Mounting	<b>F1 ONLY</b>		
Outline Drawing	<b>A-100130-906</b>	Connection Diagram	<b>A-EE7300</b>

This is an uncontrolled document once printed or downloaded and is subject to change without notice. Date Created: 04/05/2018



				TOLERANCES UNLESS SPECIFIED		MARATHON ELECTRIC		DRAWN SMC 09-30-1999	
NO.	REVISION	BY & DATE	CHK	ANG	±7'30"	FINISH	PREV	SCALE	3=8
5	UPDATED DRAWING	RJW 03-28-2007	ML	DEC.	INCHES			CHK	ET 01-24-1999
4	REMOVED THE DASH VALUE 656. ECN:9600	NB 11-20-2006		.X	±.1			APPD	ML 01-24-1999
3	REDRAWN IN AUTOCAD	TAT 07-06-2004	ML	.XX	±.03	TITLE OUTLINE		SCALE	3=8
2	ADDED PACKAGING DIMS. CN 27400-456	SMR 09-30-1999		.XXX	±.005	140 FR. - DR. PR. 3 $\phi$ - C'FACE JM EXT.		REF	
1	REDRAWN ON CADD, ADDED DASH 956 3877534	SMC 01-23-1992		.XXXX	±.0005	MAT'L.		FMF	
								PREV	
			RFP			CAD FILE 100130		SIZE	DRAWING NO. PAGE OF REV.
			DIST	WP				A	100130 5

**THREE PHASE - SINGLE VOLTAGE  
MOTOR - CONDUIT BOX @ 'A'**

**TO REVERSE ROTATION:  
INTERCHANGE ANY TWO  
LINE LEAD CONNECTIONS.**

**TERMINAL BLOCK WHEN SPECIFIED**



**VIEW OF TERMINAL END**

**IF MOTOR HAS  
6 LEADS**

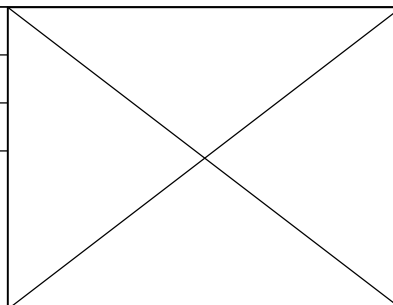


**A-9806 DECAL**

**OPTIONAL CORD  
CONNECTION**



DRAWING REVISION <b>AB</b>	REVISION BY <b>JJB</b>	DATE <b>06-27-2017</b>
ECO <b>ECO-0125361</b>	APPROVED BY <b>TB</b>	DATE <b>06-27-2017</b>
ECO DESCRIPTION <b>UPDATED TO CURRENT STANDARDS</b>		
<small>COPYRIGHT REGAL BELOIT AMERICA, INC. ALL RIGHTS RESERVED.                  PROPRIETARY AND CONFIDENTIAL INFORMATION - THIS DOCUMENT IS THE PROPERTY OF                  REGAL BELOIT AMERICA, INC. ("OWNER") AND CONTAINS OWNER'S PROPRIETARY                  INFORMATION. ANY PERSON, CORPORATION OR OTHER FIRM RECEIVING IT IS DEEMED,                  BY RECEIVING IT, TO AGREE THAT IT, AND/OR ANY PART OF IT, SHALL NOT BE DISCLOSED                  TO ANY PERSON, CORPORATION OR OTHER ENTITY, DUPLICATED, AND/OR USED, EXCEPT                  AS EXPRESSLY APPROVED IN WRITING IN ADVANCE BY OWNER. THIS DOCUMENT SHALL                  BE RETURNED TO OWNER UPON REQUEST. IT MAY BE SUBJECT TO CERTAIN                  RESTRICTIONS UNDER APPLICABLE EXPORT CONTROL LAWS AND REGULATIONS.</small>		



DRAWN BY <b>DA</b>	<b>Regal Beloit America, Inc.</b>		
DATE <b>03-26-1993</b>			
APPROVED BY <b>TB</b>	DESCRIPTION <b>CONNECTION DIAGRAM</b>		
DATE <b>03-26-1993</b>	<b>EXTERNAL - SINGLE VOLTAGE - 3Ø MOTOR</b>		
REFERENCE	MATERIAL	PROCESS/FINISH	
THIRD ANGLE PROJECTION	SIZE <b>A</b>	DRAWING NUMBER <b>EE7300</b>	SHEET <b>1 OF 1</b>



