

PRODUCT INFORMATION PACKET

Model No: 213TTFBD6032
Catalog No: GT1416A
7 1/2, 1800, TEFC, 213TC, 3/60/575
Totally Enclosed Fan Cooled (TEFC)



Regal and Marathon are trademarks of Regal Beloit Corporation or one of its affiliated companies.
©2018 Regal Beloit Corporation, All Rights Reserved. MC017097E

Nameplate Specifications

Output HP	7.50 Hp	Output KW	5.6 kW
Frequency	60 Hz	Voltage	575 V
Current	7.6 A	Speed	1768 rpm
Service Factor	1.15	Phase	3
Efficiency	93.3 %	Duty	Continuous
Insulation Class	F	Design Code	B
KVA Code	H	Frame	213TC
Enclosure	Totally Enclosed Fan Cooled	Overload Protector	No
Ambient Temperature	40 °C	Drive End Bearing Size	6307
Opp Drive End Bearing Size	6206	UL	Recognized
CSA	Y	CE	Y
IP Code	43		

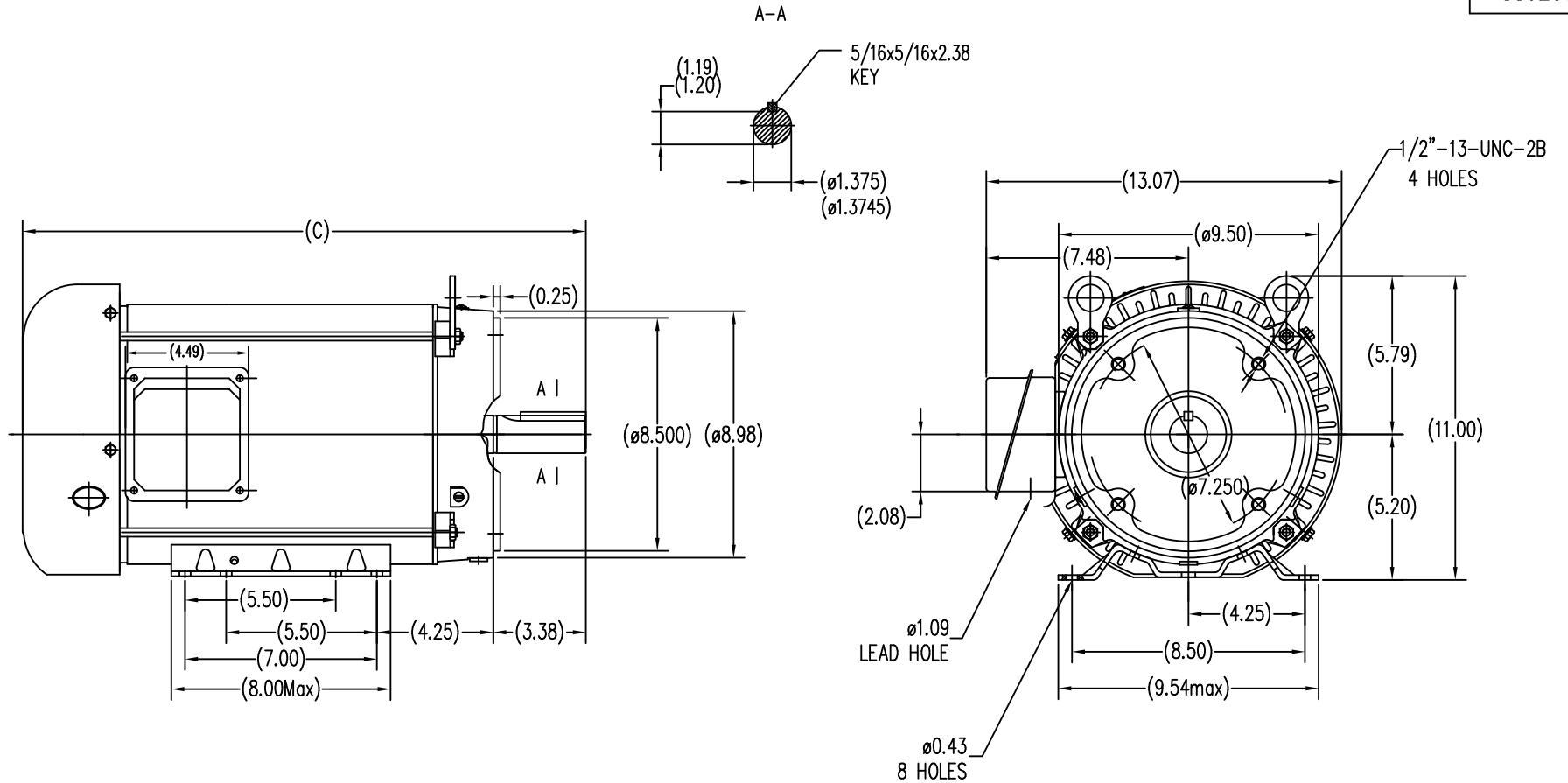
Technical Specifications

Electrical Type	Squirrel Cage Inverter Rated	Starting Method	Line Or Inverter
Poles	4	Rotation	Reversible
Mounting	Rigid Base	Motor Orientation	Horizontal
Drive End Bearing	Ball	Opp Drive End Bearing	Ball
Frame Material	Rolled Steel	Shaft Type	T
Overall Length	19.10 in	Frame Length	9.65 in
Shaft Diameter	1.375 in	Shaft Extension	3.38 in
Assembly/Box Mounting	F1/F2 Capable		
Outline Drawing	SS620688-213TC	Connection Diagram	EE7300

This is an uncontrolled document once printed or downloaded and is subject to change without notice. Date Created: 10/08/2018

Uncontrolled Copy

SS620688



213TC	19.1
215TC	20.7
FRAME	C

NO.		REVISION	BY & DATE	CHK	ANG	±1/2"	FINISH	CAD FILE		SS620688	SIZE	DRAWING NO.	REV.					
TOLERANCES UNLESS SPECIFIED							REGAL REGAL-BELOIT CORPORATION											
DEC. INCHES							DRAWN ZXW 06-03-2015											
.X ±.1							CHK ZL 06-03-2015											
.XX ±.03							APPD ZYH 06-03-2015											
.XXX ±.005							SCALE											
.XXXX ±.0005							TITLE OUTLINE											
							213/215TC-Face TEFC ROLLED STEEL											
							REF											
							MATL.											
							FMF REGAL-WUXI											
							PREV											
THIS DRAWING IN DESIGN AND DETAIL IS OUR PROPERTY AND MUST NOT BE USED EXCEPT IN CONNECTION WITH OUR WORK ALL RIGHTS OF DESIGN AND INVENTION ARE RESERVED THIS IS AN ELECTRONICALLY GENERATED DOCUMENT - DO NOT SCALE THIS PRINT							RFP		CAD FILE		SS620688		SIZE		DRAWING NO.		REV.	
							DIST				B		SS620688		2			

**THREE PHASE - SINGLE VOLTAGE
MOTOR - CONDUIT BOX @ 'A'**

**TO REVERSE ROTATION:
INTERCHANGE ANY TWO
LINE LEAD CONNECTIONS.**

TERMINAL BLOCK WHEN SPECIFIED



VIEW OF TERMINAL END

**IF MOTOR HAS
6 LEADS**



A-9806 DECAL

**OPTIONAL CORD
CONNECTION**

- L1 _____ WHITE _____
- L2 _____ RED _____
- L3 _____ BLACK _____

DRAWING REVISION AB	REVISION BY JJB	DATE 06-27-2017
ECO ECO-0125361	APPROVED BY TB	DATE 06-27-2017
ECO DESCRIPTION UPDATED TO CURRENT STANDARDS		
<small>COPYRIGHT REGAL BELOIT AMERICA, INC. ALL RIGHTS RESERVED. PROPRIETARY AND CONFIDENTIAL INFORMATION - THIS DOCUMENT IS THE PROPERTY OF REGAL BELOIT AMERICA, INC. ("OWNER") AND CONTAINS OWNER'S PROPRIETARY INFORMATION. ANY PERSON, CORPORATION OR OTHER FIRM RECEIVING IT IS DEEMED, BY RECEIVING IT, TO AGREE THAT IT, AND/OR ANY PART OF IT, SHALL NOT BE DISCLOSED TO ANY PERSON, CORPORATION OR OTHER ENTITY, DUPLICATED, AND/OR USED, EXCEPT AS EXPRESSLY APPROVED IN WRITING IN ADVANCE BY OWNER. THIS DOCUMENT SHALL BE RETURNED TO OWNER UPON REQUEST. IT MAY BE SUBJECT TO CERTAIN RESTRICTIONS UNDER APPLICABLE EXPORT CONTROL LAWS AND REGULATIONS.</small>		



DRAWN BY DA
DATE 03-26-1993
APPROVED BY TB
DATE 03-26-1993
REFERENCE
THIRD ANGLE PROJECTION

Regal Beloit America, Inc.		
		DESCRIPTION CONNECTION DIAGRAM EXTERNAL - SINGLE VOLTAGE - 3Ø MOTOR
MATERIAL	PROCESS/FINISH	
SIZE A	DRAWING NUMBER EE7300	SHEET 1 OF 1



**P.O. BOX 8003
WAUSAU, WI 54401-8003
PH. 715-675-3311**

CERTIFICATION DATA SHEET

CUSTOMER: CUSTOMER PO #:
ORDER #: MODEL #: 213TTFBD6032 AA
CONN. DIAGRAM: EE7300 CUSTOMER PART #:
OUTLINE: SS620688 MOUNTING: F1/F2 CAPABLE
WINDING #: HE31324012 3

TYPICAL MOTOR PERFORMANCE DATA

HP	KW	SYNC. RPM	F.L. RPM	FRAME	ENCLOSURE	KVA CODE	DESIGN	
7 1/2	5.60	1800	1768	213TC	TEFC	H	B	
PH	HZ	VOLTS	AMPS	START TYPE	DUTY	INSL	S.F.	AMB°C
3	60	575	7.6	LINE OR INVERTER	CONTINUOUS	F7	1.15	40

FULL LOAD EFF:	93.3	3/4 LOAD EFF:	93	1/2 LOAD EFF:	90	GTD. EFF		ELEC. TYPE
FULL LOAD PF:	79.3	3/4 LOAD PF:	73.4	1/2 LOAD PF:	63.8	91		SQ CAGE INV RATED
F.L. TORQUE LB-FT	LOCKED ROTOR AMPS	L.R. TORQUE LB-FT	202 %	B.D. TORQUE LB-FT	265 %	F.L. RISE°C		
22.3	49.6	45		59		40		

SOUND PRESSURE @ 3 FT. DBA	SOUND POWER DBA	ROTOR WK^2 LB-FT^2	MAX. WK^2 LB-FT^2	SAFE STALL TIME SEC.	STARTS / HOUR	APPROX. MOTOR WGT LBS.
62	72	0.95	75	25	2	175

***** SUPPLEMENTAL INFORMATION *****

DE BRACKET TYPE	ODE BRACKET TYPE	MOUNT TYPE	ORIENTATION	SEVERE DUTY	HAZARDOUS LOCATION	DRIP COVER	SCREENS	PAINT
C-FACE	STANDARD	RIGID	HORIZONTAL	FALSE	NONE	FALSE	NONE	BLUE (ENAMEL)
BEARINGS DE ODE	GREASE	SHAFT TYPE	SPECIAL DE	SPECIAL ODE	SHAFT MATERIAL	FRAME MATERIAL		
BALL BALL 6307 6206	POLYREX EM	T	NONE	NONE	1045 HOT ROLLED (C-204)	ROLLED STEEL		

THERMO-PROTECTORS				THERMISTORS			SPACE HEATERS	
THERMOSTATS	PROTECTORS	WDG RTDS	BRG RTDS	NONE	FALSE	NONE	NONE	VOLTS
NONE	NOT	NONE	NONE	NONE	FALSE	NONE	NONE	

* INVERTER	TORQUE: CONSTANT 20:1/VARIABLE 20:1
N INV. HP SPEED RANGE: NONE	
O ENCODER: NONE	
T NONE	P/N NONE
E NONE	NONE PPR
S BRAKE: NONE	NONE NONE
* FT-LB	NONE V NONE HZ

PREPARED BY: Fareeda Dudekula
DATE: 05/04/2018 06:23:10 AM
FORM 3531 REV.3 02/07/99
**** Subject to change without notice.**

MARATHON ELECTRIC CORPORATION

TYPICAL PERFORMANCE CURVE for AC MOTOR

Customer

Curve at

575

Volts

HP 7.50

PHASE 3

Model No 213TTFBD6032

60

HZ

VOLTS 575

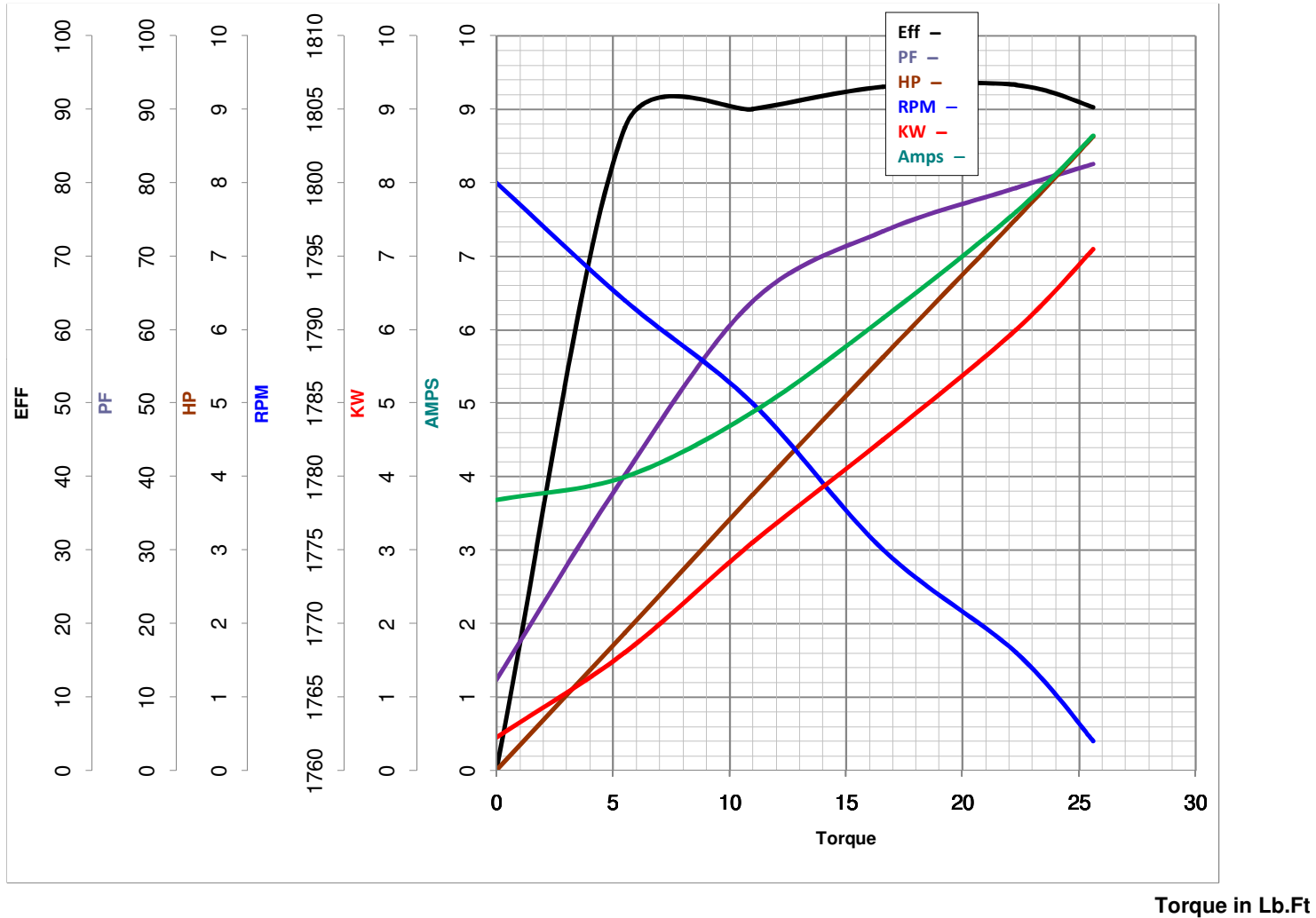
Catalog No GT1416A

7.5

HP

HZ 60

RPM 1768



FL TORQUE 22.3 Lb.Ft
 BD TORQUE 59.0 Lb.Ft
 LR TORQUE 45 Lb.Ft

FL AMPS 7.6
 PU TORQUE 38.0 Lb.Ft
 LR AMPS 49.6

WINDING HE31324012-3 Prepared By FAREEDA

Date 5/4/2018