

PRODUCT INFORMATION PACKET

Model No: 449TTFCD6080
Catalog No: GT1156A
200,1200,TEFC,449T,3/60/575
Totally Enclosed Fan Cooled (TEFC)



Regal and Marathon are trademarks of Regal Beloit Corporation or one of its affiliated companies.
©2018 Regal Beloit Corporation, All Rights Reserved. MC017097E



Nameplate Specifications

| | | | |
|----------------------------|------------------------------------|------------------------|-------------------|
| Output HP | 200 Hp | Output KW | 149.0 kW |
| Frequency | 60 Hz | Voltage | 575 V |
| Current | 182.0 A | Speed | 1190 rpm |
| Service Factor | 1.15 | Phase | 3 |
| Efficiency | 95.8 % | Duty | Continuous |
| Insulation Class | F | Design Code | B |
| KVA Code | G | Frame | 447/449T |
| Enclosure | Totally Enclosed Fan Cooled | Overload Protector | No |
| Ambient Temperature | 40 °C | Drive End Bearing Size | 6319 |
| Opp Drive End Bearing Size | 6317 | UL | Listed |
| CSA | Y | CE | Y |
| IP Code | 55 | | |

Technical Specifications

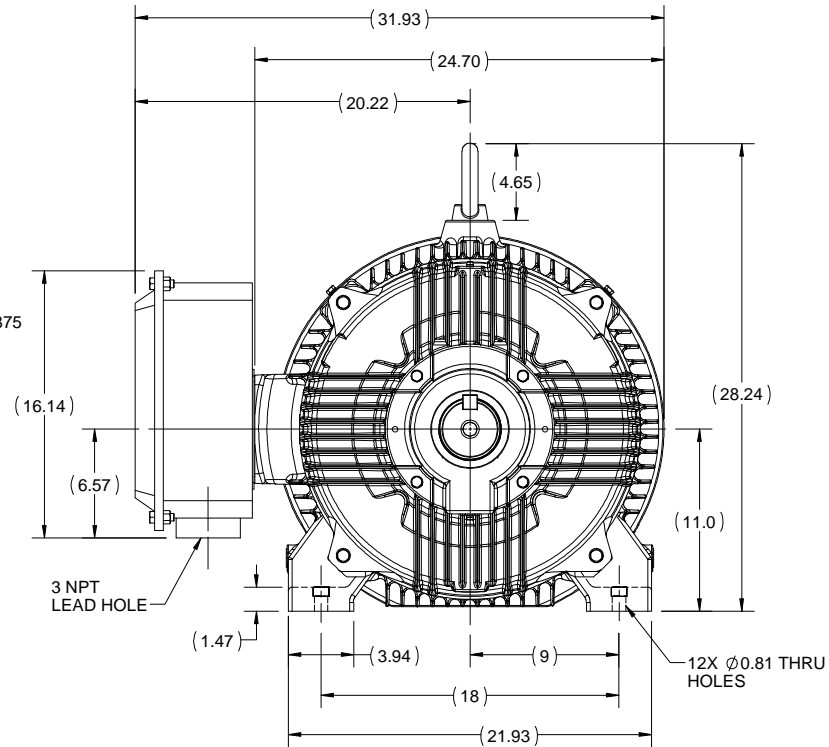
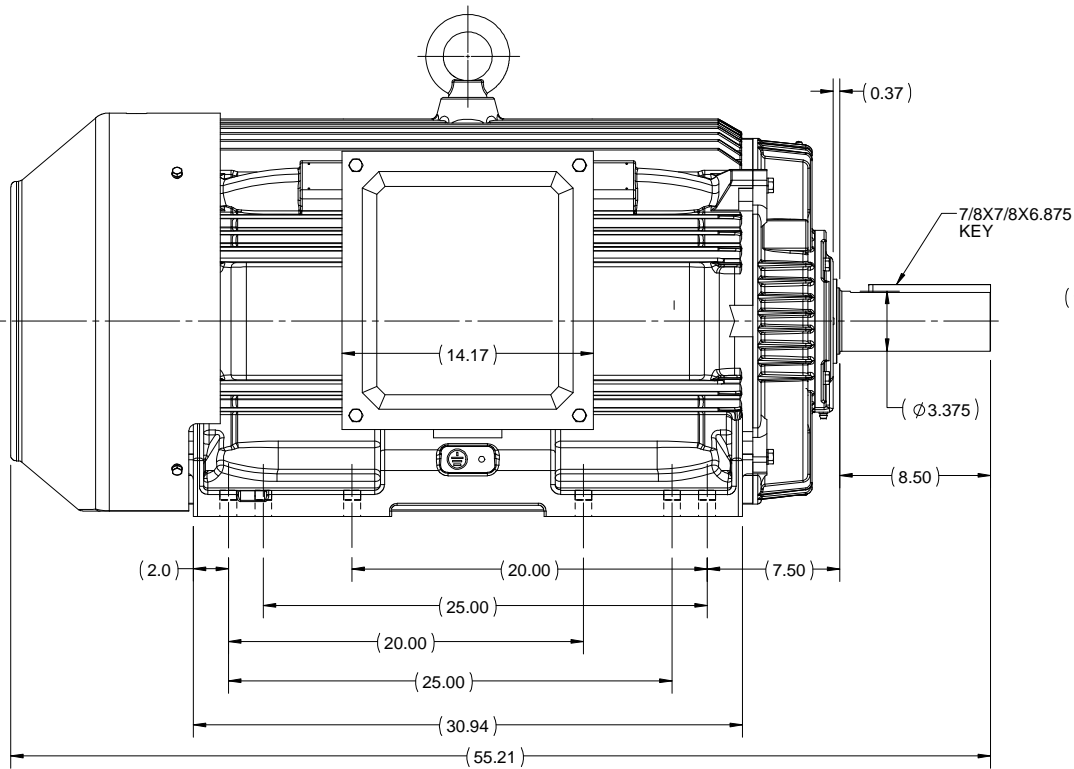
| | | | |
|-------------------|-------------------------------------|-----------------------|-------------------------|
| Electrical Type | Squirrel Cage Inverter Rated | Starting Method | Line Or Inverter |
| Poles | 6 | Rotation | Reversible |
| Mounting | Rigid base | Motor Orientation | Horizontal |
| Drive End Bearing | Ball | Opp Drive End Bearing | Ball |
| Frame Material | Cast Iron | Shaft Type | T |
| Frame Length | 32.12 in | Shaft Diameter | 3.375 in |
| Shaft Extension | 8.5 in | Assembly/Box Mounting | F1/F2 Capable |
| Outline Drawing | SS557013 | Connection Diagram | EE7300 |

This is an uncontrolled document once printed or downloaded and is subject to change without notice. Date Created: 07/02/2018

OUTLINE

B

B



A

A

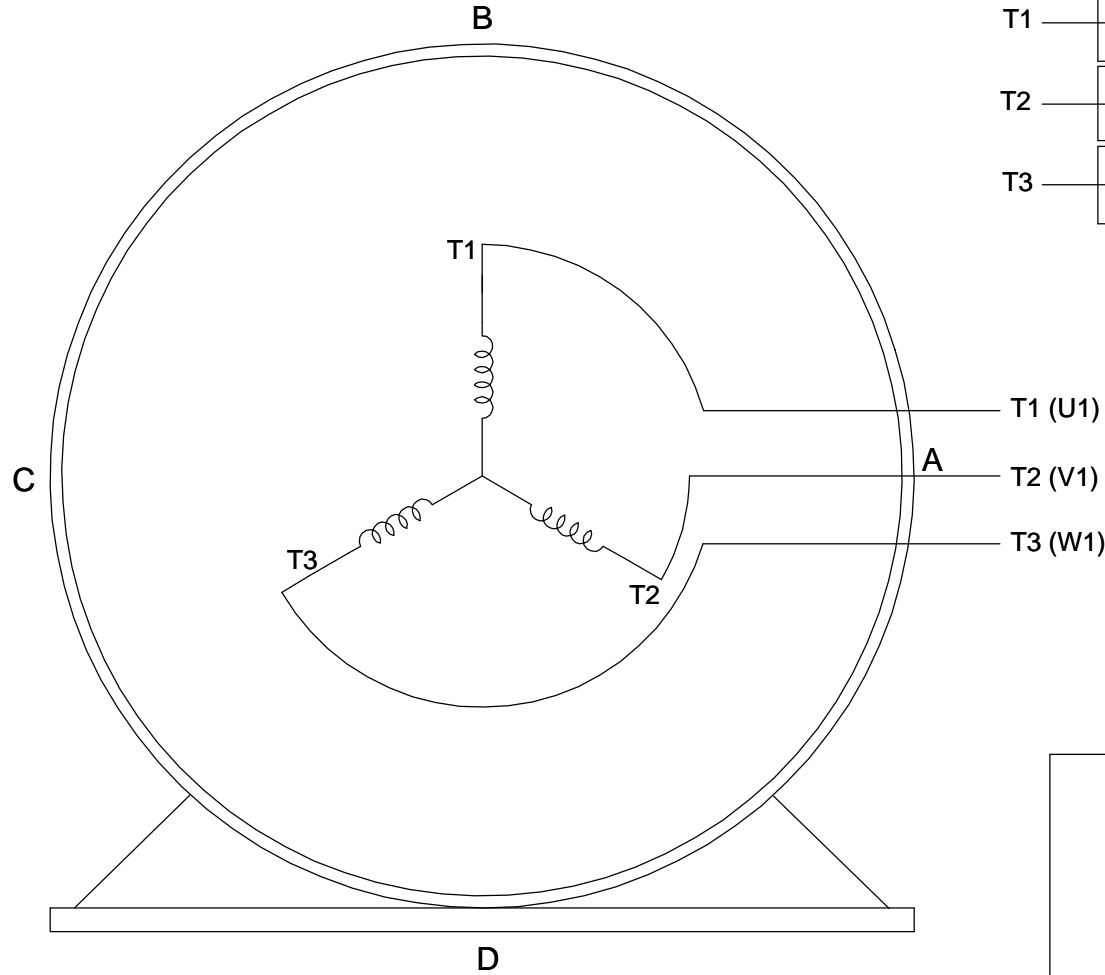
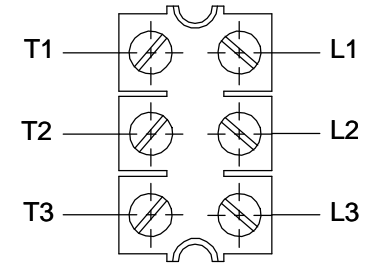
| | | |
|--|--------------------|--------------------|
| DRAWING REVISION C | REVISION BY GNK | DATE 09/05/2018 |
| ECO ECO-0143704 | APPROVED BY SBD | DATE 09/05/2018 |
| ECO DESCRIPTION DRAWING UPDATED COPYRIGHT REGAL BELOIT AMERICA, INC. ALL RIGHTS RESERVED. PROPRIETARY AND CONFIDENTIAL INFORMATION - THIS DOCUMENT IS THE PROPERTY OF REGAL BELOIT AMERICA, INC. ("OWNER") AND CONTAINS OWNER'S PROPRIETARY INFORMATION. ANY PERSON, CORPORATION OR OTHER FIRM RECEIVING IT IS DEEMED, BY RECEIVING IT, TO AGREE THAT IT, AND/OR ANY PART OF IT, SHALL NOT BE DISCLOSED TO ANY PERSON, CORPORATION OR OTHER ENTITY, DUPLICATED, AND/OR USED, EXCEPT AS EXPRESSLY APPROVED IN WRITING IN ADVANCE BY OWNER. THIS DOCUMENT SHALL BE RETURNED TO OWNER UPON REQUEST. IT MAY BE SUBJECT TO CERTAIN RESTRICTIONS UNDER APPLICABLE EXPORT CONTROL LAWS AND REGULATIONS. | | |

| | |
|---------------------------|--|
| DRAWN BY NIV | Regal Beloit America, Inc. |
| DATE 23/05/2016 | |
| APPROVED BY SBD | DESCRIPTION OUTLINE 447/449T FR-TEFC |
| DATE 23/05/2016 | MATERIAL |
| REFERENCE | PROCESS/FINISH |
| THIRD ANGLE PROJECTION | SIZE B |
| | DRAWING NUMBER SS557013 |
| | SHEET 1 OF 1 |

**THREE PHASE - SINGLE VOLTAGE
MOTOR - CONDUIT BOX @ 'A'**

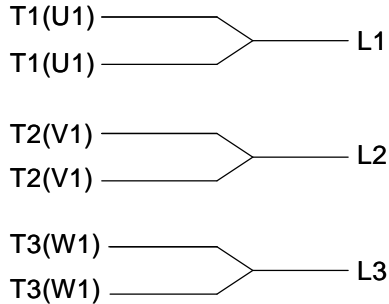
**TO REVERSE ROTATION:
INTERCHANGE ANY TWO
LINE LEAD CONNECTIONS.**

TERMINAL BLOCK WHEN SPECIFIED



VIEW OF TERMINAL END

**IF MOTOR HAS
6 LEADS**



A-9806 DECAL

**OPTIONAL CORD
CONNECTION**

- L1 _____ WHITE
- L2 _____ RED
- L3 _____ BLACK

| | | |
|---|--------------------|--------------------|
| DRAWING REVISION AB | REVISION BY JJB | DATE 06-27-2017 |
| ECO ECO-0125361 | APPROVED BY TB | DATE 06-27-2017 |
| ECO DESCRIPTION UPDATED TO CURRENT STANDARDS | | |
| <small>COPYRIGHT REGAL BELOIT AMERICA, INC. ALL RIGHTS RESERVED. PROPRIETARY AND CONFIDENTIAL INFORMATION - THIS DOCUMENT IS THE PROPERTY OF REGAL BELOIT AMERICA, INC. ("OWNER") AND CONTAINS OWNER'S PROPRIETARY INFORMATION. ANY PERSON, CORPORATION OR OTHER FIRM RECEIVING IT IS DEEMED, BY RECEIVING IT, TO AGREE THAT IT, AND/OR ANY PART OF IT, SHALL NOT BE DISCLOSED TO ANY PERSON, CORPORATION OR OTHER ENTITY, DUPLICATED, AND/OR USED, EXCEPT AS EXPRESSLY APPROVED IN WRITING IN ADVANCE BY OWNER. THIS DOCUMENT SHALL BE RETURNED TO OWNER UPON REQUEST. IT MAY BE SUBJECT TO CERTAIN RESTRICTIONS UNDER APPLICABLE EXPORT CONTROL LAWS AND REGULATIONS.</small> | | |



| |
|---------------------------|
| DRAWN BY DA |
| DATE 03-26-1993 |
| APPROVED BY TB |
| DATE 03-26-1993 |
| REFERENCE |
| THIRD ANGLE PROJECTION |

| | | |
|----------------------------|---------------------------------|--|
| Regal Beloit America, Inc. | | |
| | | DESCRIPTION CONNECTION DIAGRAM EXTERNAL - SINGLE VOLTAGE - 3Ø MOTOR |
| MATERIAL | PROCESS/FINISH | |
| SIZE A | DRAWING NUMBER EE7300 | SHEET 1 OF 1 |

Data Sheet

Date: 5/3/2018

4491TFCD6080

Customer:
 Attention:
 Submitted by: FAREEDA DUDEKULA



Submital
 Data @ 575 V

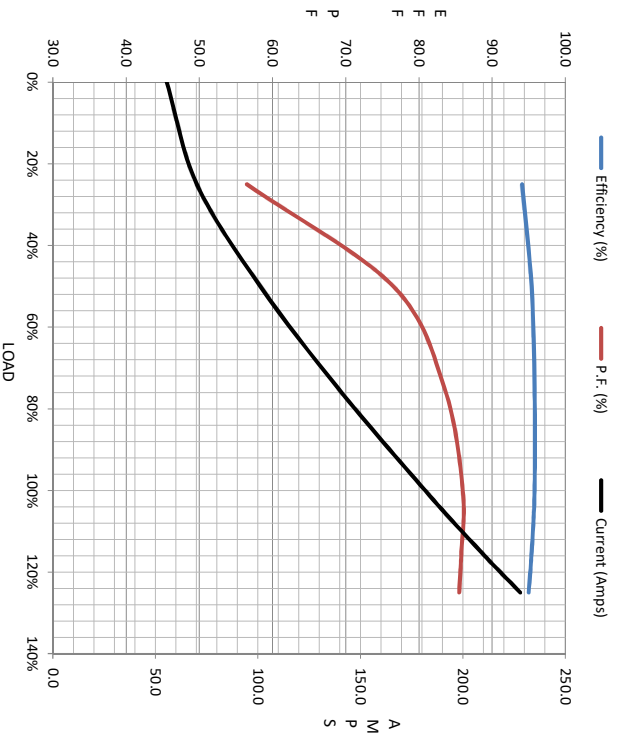
| Load | 0% | 25% | 50% | 75% | 100% | 115% | 125% | LR |
|----------------|------|------|------|------|------|-------|-------|-------|
| Current (Amps) | 55.6 | 70.2 | 101 | 139 | 182 | 209 | 228 | 1,160 |
| Torque (ft-lb) | 0.00 | 220 | 440 | 661 | 883 | 1,018 | 1,106 | 1,635 |
| RPM | 1200 | 1198 | 1195 | 1192 | 1190 | 1,188 | 1,188 | 0 |
| Efficiency (%) | | 94.1 | 95.4 | 95.8 | 95.8 | 95.4 | 95.0 | |
| P.F. (%) | 4.0 | 56.5 | 76.5 | 83.5 | 86.0 | 85.8 | 85.5 | 31.0 |

Motor Speed Data

| | LR | Pull-Up | BD | Rated | Idle |
|----------------|-------|---------|-------|-------|------|
| Speed (RPM) | 0 | 600 | 1155 | 1190 | 1200 |
| Current (Amps) | 1,160 | 928 | 624 | 182 | 55.6 |
| Torque (ft-lb) | 1,635 | 1,372 | 2,247 | 883 | 0.00 |

Information Block

| | | | | |
|-----------------------------|------------------------|--------|--------|--------|
| HP | 200.0 | | | |
| Sync. RPM | 1200 | | | |
| Frame | 4491821TFC6080 | | | |
| Enclosure | TEFC | | | |
| Construction | TFC | | | |
| Voltage | 575 V | | | |
| Frequency | 60 Hz | | | |
| Design | A | | | |
| LR Code letter | G | | | |
| Service Factor | 1.15 | | | |
| Temp Rise @ FL | 65 °C | | | |
| Duty | CONT | | | |
| Ambient | 40 °C | | | |
| Elevation | 1,000 feet | | | |
| Rotor/Shaft wk ² | 145 Lb-Ft ² | | | |
| Ref Wdg | HE32806008 NONE | | | |
| Sound Pressure @ 1M | 75 dbA | | | |
| VFD Rating | VARIABLE 10:1 | | | |
| Outline Dwg | SS557013 | | | |
| Conn. Diag | EE7300 | | | |
| Additional Specifications: | 0 | | | |
| | 0 | | | |
| | 0 | | | |
| R1 | R2 | X1 | X2 | Xm |
| 0.0170 | 0.0160 | 0.1710 | 0.2880 | 5.9910 |
| EQUIV CKT (OHMS / PHASE) | | | | |



Speed - Torque Curve

