

PRODUCT INFORMATION PACKET

marathon[®]
Motors

Model No: 445TSTFCD6005
Catalog No: GT1151A
150,3600,TEFC,445TS,3/60/575
Totally Enclosed Fan Cooled (TEFC)



Regal and Marathon are trademarks of Regal Beloit Corporation or one of its affiliated companies.
©2018 Regal Beloit Corporation, All Rights Reserved. MC017097E

REGAL[®]



Nameplate Specifications

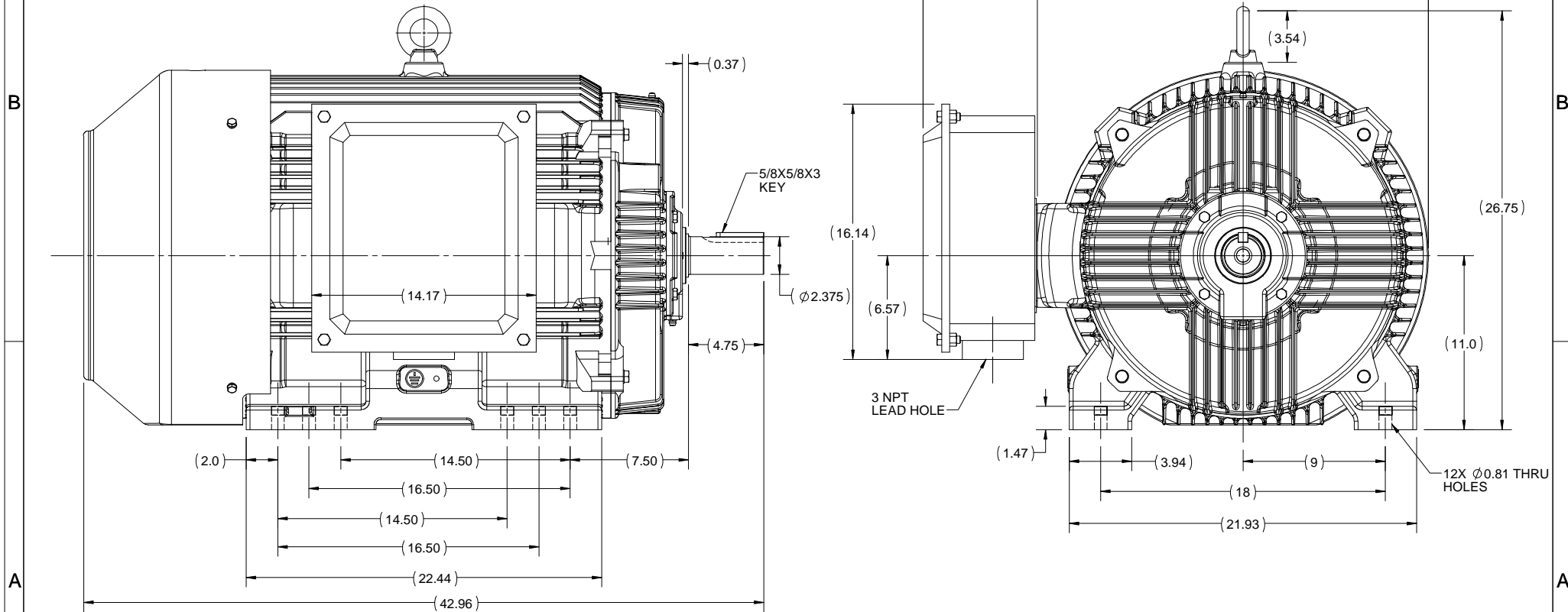
Output HP	150 Hp	Output KW	112.0 kW
Frequency	60 Hz	Voltage	575 V
Current	131.0 A	Speed	3580 rpm
Service Factor	1.15	Phase	3
Efficiency	95 %	Duty	Continuous
Insulation Class	F	Design Code	B
KVA Code	G	Frame	445TS
Enclosure	Totally Enclosed Fan Cooled	Overload Protector	No
Ambient Temperature	40 °C	Drive End Bearing Size	6314
Opp Drive End Bearing Size	6314	UL	Listed
CSA	Y	CE	Y
IP Code	55		

Technical Specifications


Electrical Type	Squirrel Cage Inverter Rated	Starting Method	Line Or Inverter
Poles	2	Rotation	Reversible
Mounting	Rigid base	Motor Orientation	Horizontal
Drive End Bearing	Ball	Opp Drive End Bearing	Ball
Frame Material	Cast Iron	Shaft Type	TS
Frame Length	23.62 in	Shaft Diameter	2.375 in
Shaft Extension	4.75 in	Assembly/Box Mounting	F1/F2 Capable
Outline Drawing	SS557008	Connection Diagram	EE7300

This is an uncontrolled document once printed or downloaded and is subject to change without notice. Date Created: 07/02/2018

OUTLINE



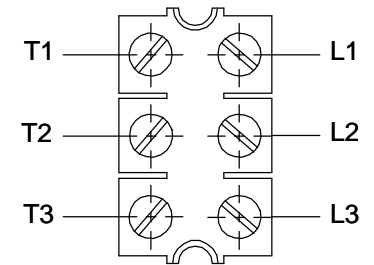
DRAWING REVISION C	REVISION BY GNK	DATE 04/05/2018
ECO ECO-0143704	APPROVED BY SBD	DATE 04/05/2018
ECO DESCRIPTION DRAWING UPDATED		
<small>COPYRIGHT REGAL BELOIT AMERICA, INC. ALL RIGHTS RESERVED. PROPRIETARY AND CONFIDENTIAL INFORMATION - THIS DOCUMENT IS THE PROPERTY OF REGAL BELOIT AMERICA, INC. ("OWNER") AND CONTAINS OWNER'S PROPRIETARY INFORMATION. ANY PERSON, CORPORATION OR OTHER FIRM RECEIVING IT IS DEEMED, BY RECEIVING IT, TO AGREE THAT IT, AND/OR ANY PART OF IT, SHALL NOT BE DISCLOSED TO ANY PERSON, CORPORATION OR OTHER ENTITY, DUPLICATED, AND/OR USED, EXCEPT AS EXPRESSLY APPROVED IN WRITING IN ADVANCE BY OWNER. THIS DOCUMENT SHALL BE RETURNED TO OWNER UPON REQUEST. IT MAY BE SUBJECT TO CERTAIN RESTRICTIONS UNDER APPLICABLE EXPORT CONTROL LAWS AND REGULATIONS.</small>		

DRAWN BY NIV	 Regal Beloit America, Inc.
DATE 29/03/2015	
APPROVED BY SBD	DESCRIPTION OUTLINE 444/445TS FR-TEFC
DATE 29/03/2015	MATERIAL
REFERENCE	PROCESS/FINISH
THIRD ANGLE PROJECTION	SIZE B
	DRAWING NUMBER SS557008
	SHEET 1 OF 1

**THREE PHASE - SINGLE VOLTAGE
MOTOR - CONDUIT BOX @ 'A'**

**TO REVERSE ROTATION:
INTERCHANGE ANY TWO
LINE LEAD CONNECTIONS.**

TERMINAL BLOCK WHEN SPECIFIED



VIEW OF TERMINAL END

**IF MOTOR HAS
6 LEADS**



A-9806 DECAL

**OPTIONAL CORD
CONNECTION**

- L1 _____ WHITE _____
- L2 _____ RED _____
- L3 _____ BLACK _____

DRAWING REVISION AB	REVISION BY JJB	DATE 06-27-2017
ECO ECO-0125361	APPROVED BY TB	DATE 06-27-2017
ECO DESCRIPTION UPDATED TO CURRENT STANDARDS		
<small>COPYRIGHT REGAL BELOIT AMERICA, INC. ALL RIGHTS RESERVED. PROPRIETARY AND CONFIDENTIAL INFORMATION - THIS DOCUMENT IS THE PROPERTY OF REGAL BELOIT AMERICA, INC. ("OWNER") AND CONTAINS OWNER'S PROPRIETARY INFORMATION. ANY PERSON, CORPORATION OR OTHER FIRM RECEIVING IT IS DEEMED, BY RECEIVING IT, TO AGREE THAT IT, AND/OR ANY PART OF IT, SHALL NOT BE DISCLOSED TO ANY PERSON, CORPORATION OR OTHER ENTITY, DUPLICATED, AND/OR USED, EXCEPT AS EXPRESSLY APPROVED IN WRITING IN ADVANCE BY OWNER. THIS DOCUMENT SHALL BE RETURNED TO OWNER UPON REQUEST. IT MAY BE SUBJECT TO CERTAIN RESTRICTIONS UNDER APPLICABLE EXPORT CONTROL LAWS AND REGULATIONS.</small>		



DRAWN BY DA
DATE 03-26-1993
APPROVED BY TB
DATE 03-26-1993
REFERENCE
THIRD ANGLE PROJECTION

Regal Beloit America, Inc.		
		DESCRIPTION CONNECTION DIAGRAM EXTERNAL - SINGLE VOLTAGE - 3Ø MOTOR
MATERIAL	PROCESS/FINISH	
SIZE A	DRAWING NUMBER EE7300	SHEET 1 OF 1



P.O. BOX 8003
WAUSAU, WI 54401-8003
PH. 715-675-3311

DATA VOLTS: 460

CERTIFICATION DATA SHEET

CUSTOMER P.O. #:
 ORDER #: EE7300 REFERENCE MODEL #: 44STJFC06005
 CONN. DIAGRAM: SS557008 CAT #: GT1151A
 OUTLINE: HE32802010 NONE 2 CUSTOMER PART #:
 WINDING: HE32802010 NONE 2 MOUNTING: F1/F2 CAPABLE
 SPEED:
 TYPICAL MOTOR PERFORMANCE DATA

HP	KW	SYNC RPM	FL RPM	FRAME	ENCLOSURE	TYPE	KVA CODE	DESIGN
150	112	3600	3580	445TS	TEFC	TFC	G	B

PH	HZ	VOLTS	AMPS	START TYPE	DUTY	INSL	S.F.	AMB	ELEV.
3	60	575	131	LINE OR INVERTER	CONT	F	1.15	40	3300
F.L. EFF		95.0	3/4 LD EFF	95.0	1/2 LD EFF	94.1	GTD EFF	ELECT. TYPE	
F.L. PF		90.0	3/4 LD PF	88.0	1/2 LD PF	83.0	94.5	SO CAGE INV BATED	

F.L. TORQUE	LR AMPS @ 460 V	L.R. TORQUE	B.D. TORQUE	F.L. RISE (°C)
220 LB-FT	888	363 LB-FT	165%	626 LB-FT
@ 3 FT.	POWER	ROTOR WK ²	MAX. LOAD WK ²	SAFE STALL TIME
82 DBA	91 DBA	44.0 LB-FT ²	120 LB-FT ²	15 SEC.
				START/SHOUR
				2
				MOTOR WGT
				2675 LB.

*** SUPPLEMENTAL INFORMATION ***

DE BRACKET TYPE	ODE BRACKET TYPE	MOUNT TYPE	MOTOR ORIENTATION	SEVERE DUTY	HAZARDOUS LOCATION	DRIP COVER	SCREENS	PAINT
STANDARD	STANDARD	RIGID	HORIZONTAL	NO	DIVISION 272B	NO	NONE	BLUE - MARATHON

BEARINGS	GREASE	SHAFT TYPE	SPECIAL DE	SPECIAL ODE	SHAFT	MATERIAL	FRAME MATERIAL
DE BALL 6314	POLYREX EM	TS	NONE	NONE	1045 HOT ROLLED (C-204)		CAST IRON

THERMOSTATS	PROTECTORS	WDG RTD's	BRG RTD's	THERMISTORS	CONTROL	SPACE HEATERS
NONE	NOT	NONE	NONE	NONE	FALSE	NA

R1 (ohms/ph)	R2 (ohms/ph)	X1 (ohms/ph)	X2 (ohms/ph)	Xm (ohms/ph)	VIBRATION (in/sec)	FLOAT
0.022	0.014	0.189	0.257	9.539	0.080	ODE

* N		INVERTER TORQUE: VARIABLE 10:1	
O		INV. HP SPEED RANGE: NONE	
T		ENCODER: NONE	
E		NONE	
S		BRAKE: NONE	
.		NONE	
		FT-LB: NA	
		VOLTAGE: NONE	
		NONE	
		NONE PPR	

PREPARED BY: FAREEDA DUDEKULA
 DATE: 5/3/2018
 FORM: 3531 REV_4 2/27/06
 UL: NO LETTER - ME:WUXI TFC BLUEWHALE CLASS 1 DIV. 2 UL
 HZ:

Data Sheet

4451STFCDB005

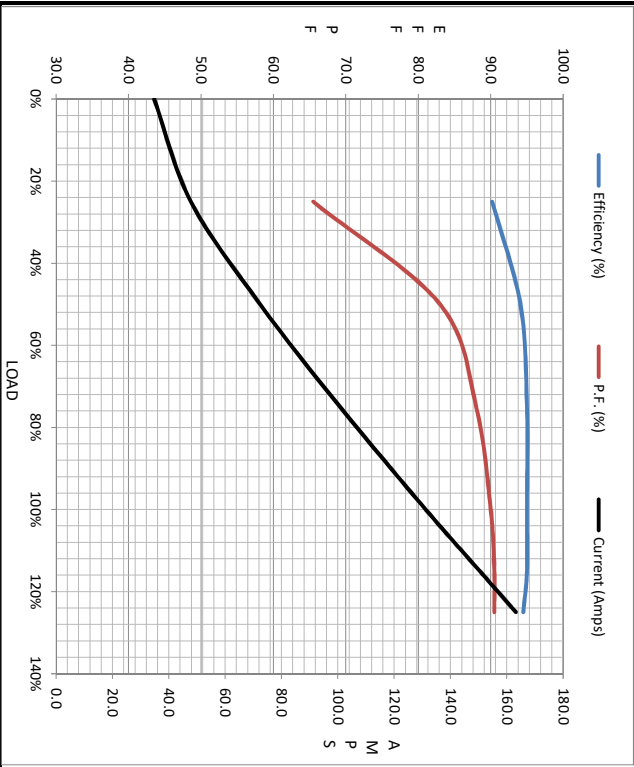


Submital Data @ 575 V

Date: 5/3/2018
 Customer:
 Attention:
 Submitted by: FAREEDA DUDEKULA

Load	Motor Load Data									
	0%	25%	50%	75%	100%	115%	125%	LR		
Current (Amps)	34.8	47.8	72.4	101	131	150	163	868		
Torque (ft-lb)	0.00	55.0	110	165	220	254	276	363		
RPM	3600	3595	3590	3585	3580	3578	3575	0		
Efficiency (%)		90.2	94.1	95.0	95.0	95.0	94.5			
P.F. (%)	9.0	65.5	83.0	88.0	90.0	90.5	90.5	28.0		

	Motor Speed Data					Information Block																		
	LR	Pull-Up	BD	Rated	Idle	HP	Frame	Enclosure	Construction	Voltage	Frequency	Design	LR Code letter	Service Factor	Temp Rise @ FL	Duty	Ambient	Elevation	Motor/Shaft wk ²	Sound Pressure @ 1M	VFD Rating	Outline Dwg	Com. Diag	Additional Specifications:
Speed (RPM)	0	1800	3480	3580	3600	1500	4451B2TFC6080	TEFC	TFC	575	60	A	G	1.15	65	CONT	40	1,000	44.0	82	VARIABLE 10:1	SS557008	EE7300	
Current (Amps)	868	692	520	131	34.8																			
Torque (ft-lb)	363	310	626	220	0.00																			



R1	R2	X1	X2	Xm
0.0220	0.0140	0.1890	0.2570	9.5390

