

PRODUCT INFORMATION PACKET

marathon[®]
Motors

Model No: 326TSTFCD6005
Catalog No: GT1136A
50,3600,TEFC,326TS,3/60/575
Totally Enclosed Fan Cooled (TEFC)



Regal and Marathon are trademarks of Regal Beloit Corporation or one of its affiliated companies.
©2018 Regal Beloit Corporation, All Rights Reserved. MC017097E

REGAL[®]



Nameplate Specifications

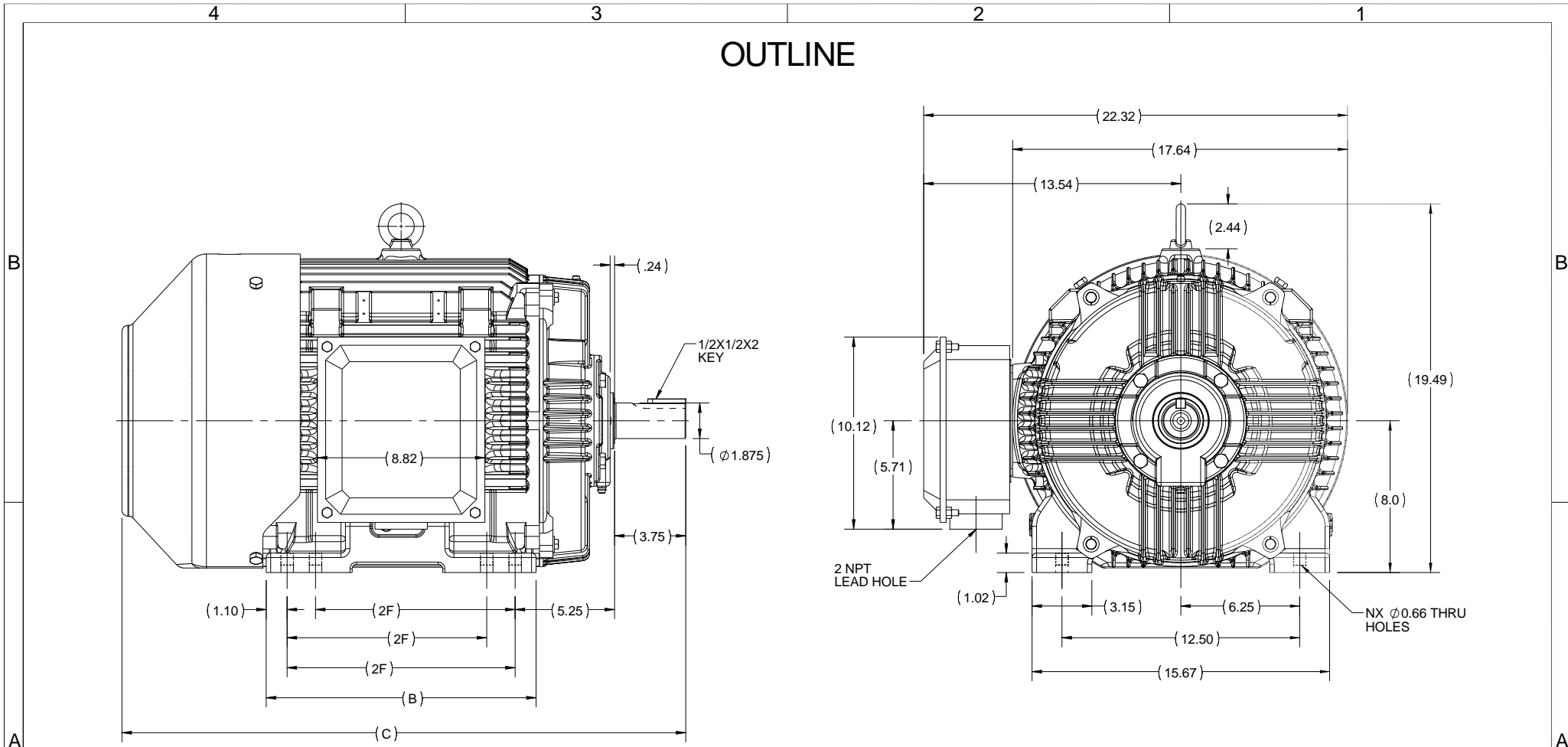
Output HP	50 Hp	Output KW	37.0 kW
Frequency	60 Hz	Voltage	575 V
Current	45.0 A	Speed	3568 rpm
Service Factor	1.15	Phase	3
Efficiency	93 %	Duty	Continuous
Insulation Class	F	Design Code	B
KVA Code	G	Frame	326TS
Enclosure	Totally Enclosed Fan Cooled	Overload Protector	No
Ambient Temperature	40 °C	Drive End Bearing Size	6312
Opp Drive End Bearing Size	6212	UL	Listed
CSA	Y	CE	Y
IP Code	55		

Technical Specifications

Electrical Type	Squirrel Cage Inverter Rated	Starting Method	Line Or Inverter
Poles	2	Rotation	Reversible
Mounting	Rigid base	Motor Orientation	Horizontal
Drive End Bearing	Ball	Opp Drive End Bearing	Ball
Frame Material	Cast Iron	Shaft Type	TS
Frame Length	14.56 in	Shaft Diameter	1.875 in
Shaft Extension	3.75 in	Assembly/Box Mounting	F1/F2 Capable
Outline Drawing	SS312781-326TS	Connection Diagram	EE7300

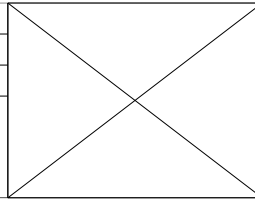
This is an uncontrolled document once printed or downloaded and is subject to change without notice. Date Created: 07/02/2018


OUTLINE



326TS	14.21	29.69	12.0	8
324TS	12.71	28.19	10.5	4
FRAME	B	C	2F	N

DRAWING REVISION A	REVISION BY UDAY	DATE 4/7/2016
ECO ECO-0105009	APPROVED BY RAJESH	DATE 4/7/2016
ECO DESCRIPTION NEW OUTLINE RELEASE		
<small>COPYRIGHT REGAL BELOIT AMERICA, INC. ALL RIGHTS RESERVED. PROPRIETARY AND CONFIDENTIAL INFORMATION - THIS DOCUMENT IS THE PROPERTY OF REGAL BELOIT AMERICA, INC. ("OWNER") AND CONTAINS OWNER'S PROPRIETARY INFORMATION. ANY PERSON, CORPORATION OR OTHER FIRM RECEIVING IT IS DEEMED, BY RECEIVING IT, TO AGREE THAT IT, AND/OR ANY PART OF IT, SHALL NOT BE DISCLOSED TO ANY PERSON, CORPORATION OR OTHER ENTITY, DUPLICATED, AND/OR USED, EXCEPT AS EXPRESSLY APPROVED IN WRITING IN ADVANCE BY OWNER. THIS DOCUMENT SHALL BE RETURNED TO OWNER UPON REQUEST. IT MAY BE SUBJECT TO CERTAIN RESTRICTIONS UNDER APPLICABLE EXPORT CONTROL LAWS AND REGULATIONS.</small>		



DRAWN BY NIV	 Regal Beloit America, Inc.
DATE 25/03/2016	
APPROVED BY SBD	DESCRIPTION OUTLINE 320TS FR-TEFC
DATE 25/03/2016	MATERIAL
REFERENCE	PROCESS/FINISH
THIRD ANGLE PROJECTION	SIZE B
	DRAWING NUMBER SS312781
	SHEET 1 OF 1

**THREE PHASE - SINGLE VOLTAGE
MOTOR - CONDUIT BOX @ 'A'**

**TO REVERSE ROTATION:
INTERCHANGE ANY TWO
LINE LEAD CONNECTIONS.**

TERMINAL BLOCK WHEN SPECIFIED



VIEW OF TERMINAL END

**IF MOTOR HAS
6 LEADS**




A-9806 DECAL

**OPTIONAL CORD
CONNECTION**

- L1 _____ WHITE
- L2 _____ RED
- L3 _____ BLACK

DRAWING REVISION AB	REVISION BY JJB	DATE 06-27-2017
ECO ECO-0125361	APPROVED BY TB	DATE 06-27-2017
ECO DESCRIPTION UPDATED TO CURRENT STANDARDS		
<small>COPYRIGHT REGAL BELOIT AMERICA, INC. ALL RIGHTS RESERVED. PROPRIETARY AND CONFIDENTIAL INFORMATION - THIS DOCUMENT IS THE PROPERTY OF REGAL BELOIT AMERICA, INC. ("OWNER") AND CONTAINS OWNER'S PROPRIETARY INFORMATION. ANY PERSON, CORPORATION OR OTHER FIRM RECEIVING IT IS DEEMED, BY RECEIVING IT, TO AGREE THAT IT, AND/OR ANY PART OF IT, SHALL NOT BE DISCLOSED TO ANY PERSON, CORPORATION OR OTHER ENTITY, DUPLICATED, AND/OR USED, EXCEPT AS EXPRESSLY APPROVED IN WRITING IN ADVANCE BY OWNER. THIS DOCUMENT SHALL BE RETURNED TO OWNER UPON REQUEST. IT MAY BE SUBJECT TO CERTAIN RESTRICTIONS UNDER APPLICABLE EXPORT CONTROL LAWS AND REGULATIONS.</small>		



DRAWN BY DA	 Regal Beloit America, Inc.		
DATE 03-26-1993			
APPROVED BY TB	DESCRIPTION CONNECTION DIAGRAM EXTERNAL - SINGLE VOLTAGE - 3Ø MOTOR		
DATE 03-26-1993	MATERIAL	PROCESS/FINISH	
REFERENCE	SIZE A	DRAWING NUMBER EE7300	SHEET 1 OF 1



P.O. BOX 8003
WAUSAU, WI 54401-8003
PH. 715-675-3311

DATA VOLTS: 460

CERTIFICATION DATA SHEET

CUSTOMER P.O. #:
 ORDER #: EE7300
 REFERENCE MODEL #: 326TSTFCOD8005
 CONN. DIAGRAM: SS312781
 CAT #: GT1136A
 OUTLINE: HE32002007 NONE 3 CUSTOMER PART #:
 WINDING: NONE 3 MOUNTING: F1/F2 CAPABLE
 SPEED:
 TYPICAL MOTOR PERFORMANCE DATA

HP	KW	SYNC RPM	FL RPM	FRAME	ENCLOSURE	TYPE	KVA CODE	DESIGN	
50	37	3600	3568	326TS	TEFC	TFC	G	B	
PH	HZ	VOLTS	AMPS	START TYPE	DUTY	INSL	S.F.	AMB	ELEV.
3	60	575	45	LINE OR INVERTER	CONT	F	1.15	40	3300
F.L. EFF	93.0	3/4 LD EFF	93.6	1/2 LD EFF	93.0	GTD EFF	ELECT. TYPE		
F.L. PF	89.0	3/4 LD PF	86.5	1/2 LD PF	79.0	92.4	SQ CAGE INV RATED		
F.L. TORQUE	LR AMPS @ 460 V	L.R. TORQUE	B.D. TORQUE	F.L. RISE (°C)					
73.5 LB-FT	290	133 LB-FT	181%	207 LB-FT	282%	65			
@ 3 FT.	POWER	ROTOR WK²	MAX. LOAD WK²	SAFE STALL TIME	STARTS/HOUR	MOTOR WGT			
75 DBA	84 DBA	5.4 LB-FT²	27 LB-FT²	15 SEC.	2	750 LB.			

*** SUPPLEMENTAL INFORMATION ***

DE BRACKET TYPE	ODE BRACKET TYPE	MOUNT TYPE	MOTOR ORIENTATION	SEVERE DUTY	HAZARDOUS LOCATION	DRIP COVER	SCREENS	PAINT
STANDARD	STANDARD	RIGID	HORIZONTAL	NO	DIVISION 2 T2B	NO	NONE	BLUE (ENAMEL)
BEARINGS	GREASE	SHAFT TYPE	SPECIAL DE	SPECIAL ODE	SHAFT MATERIAL	FRAME MATERIAL		
DE BALL 6312	POLYREX EM	TS	NONE	NONE	1045 HOT ROLLED (C-204)	CAST IRON		

THERMOSTATS	PROTECTORS	WDG RTD's	BRG RTD's	THERMISTORS	CONTROL	SPACE HEATERS
NONE	NOT	NONE	NONE	NONE	FALSE	NA
R1 (ohms/ph)	R2 (ohms/ph)	X1 (ohms/ph)	X2 (ohms/ph)	Xm (ohms/ph)	VIBRATION (in/sec)	FLOAT
0.128	0.07	0.62	0.784	23.224	0.080	ODE

INVERTER TORQUE: VARIABLE 10:1
 INV. HP SPEED RANGE: NONE

ENCODER: NONE
 NONE
 NONE
 BRAKE: NONE
 NONE
 NONE
 NONE PPR

PREPARED BY: FAREEDA DUDEKULA
 DATE: 5/3/2018

UL: NO LETTER - ME WUXI TEFC BLUEWHALE CLASS 1 DIV. 2 UL
 HZ:

Data Sheet

Date: 5/3/2018

3261STFCDB005

Customer: _____
 Attention: _____
 Submitted by: FAREEDA DUDEKULA



Submital
 Data @ 575 V

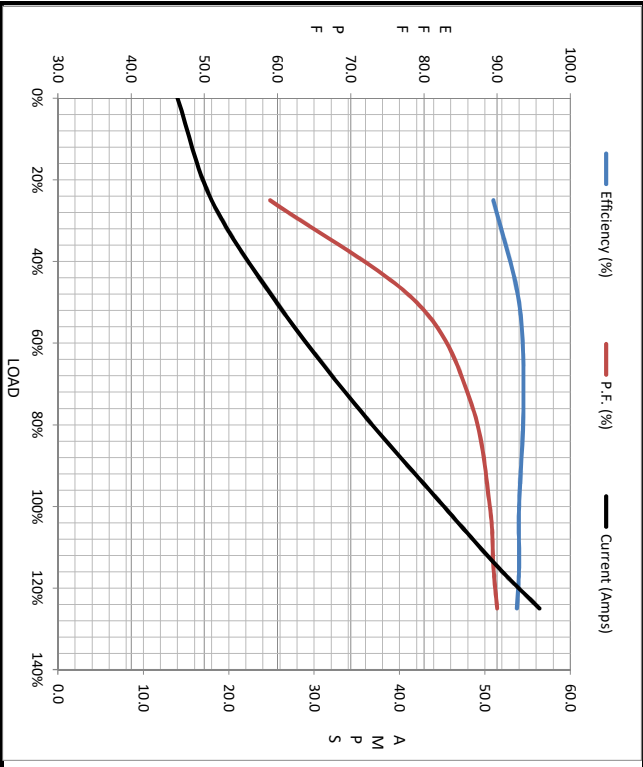
Load	0%	25%	50%	75%	100%	115%	125%	LR
Current (Amps)	14.0	18.0	25.6	34.8	45.2	51.6	56.4	290
Torque (ft-lb)	0.00	18.0	36.5	55.0	73.5	85.0	92.0	133
RPM	3600	3592	3584	3576	3568	3562	3558	0
Efficiency (%)		89.5	93.0	93.6	93.0	93.0	92.7	
P.F. (%)	8.0	59.0	79.0	86.5	89.0	89.5	90.0	32.0

Motor Speed Data

	LR	Pull-Up	BD	Rated	Idle
Speed (RPM)	0	1800	3425	3568	3600
Current (Amps)	290	232	178	45.2	14.0
Torque (ft-lb)	133	118	207	73.5	0.00

Information Block

HP	50.0			
Sync. RPM	3600			
Frame	326182TFC6080			
Enclosure	TEFC			
Construction	TFC			
Voltage	575 V			
Frequency	60 Hz			
Design	A			
LR Code letter	G			
Service Factor	1.15			
Temp Rise @ FL	65 °C			
Duty	CONT			
Ambient	40 °C			
Elevation	1,000 feet			
Rotor/Shaft wk ²	5.4 Lb-Ft ²			
Ret Wdg	HE32002007 NONE			
Sound Pressure @ 1M	75 dbA			
VFD Rating	VARIABLE 10:1			
Outline Dwg	SS312781			
Conn. Diag	EE7300			
Additional Specifications:				
0				
0				
R1	R2	X1	X2	Xm
0.1280	0.0700	0.6200	0.7840	23.2240
EQUIV CKT (OHMS / PHASE)				



Speed - Torque Curve

