

# PRODUCT INFORMATION PACKET

**marathon**<sup>®</sup>  
Motors

Model No: 215TTDBD6092  
Catalog No: GT0514A  
5,1200,DP,215JM,3/60/575  
JM



Regal and Marathon are trademarks of Regal Beloit Corporation or one of its affiliated companies.  
©2018 Regal Beloit Corporation, All Rights Reserved. MC017097E

**REGAL**<sup>®</sup>



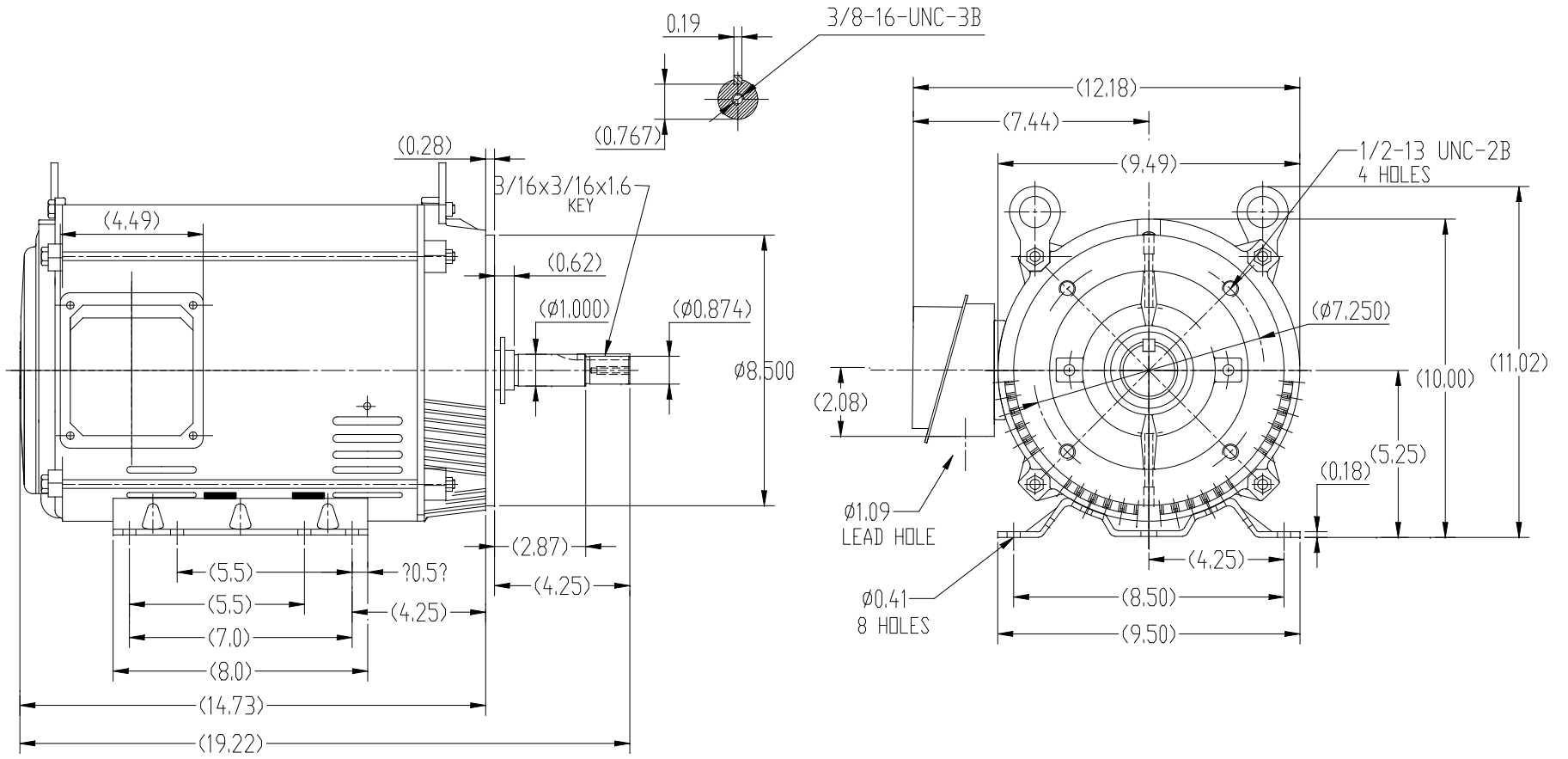
### Nameplate Specifications


Output HP	<b>5 Hp</b>	Output KW	<b>3.7 kW</b>
Frequency	<b>60 Hz</b>	Voltage	<b>575 V</b>
Current	<b>5.5 A</b>	Speed	<b>1181 rpm</b>
Service Factor	<b>1.15</b>	Phase	<b>3</b>
Efficiency	<b>89.1 %</b>	Duty	<b>Continuous</b>
Insulation Class	<b>F</b>	Design Code	<b>B</b>
KVA Code	<b>J</b>	Frame	<b>215JMV</b>
Enclosure	<b>Drip Proof</b>	Overload Protector	<b>No</b>
Ambient Temperature	<b>40 °C</b>	Drive End Bearing Size	<b>6307</b>
Opp Drive End Bearing Size	<b>6206</b>	UL	<b>Recognized</b>
CSA	<b>Y</b>	CE	<b>Y</b>
IP Code	<b>22</b>		

### Technical Specifications

Electrical Type	<b>Squirrel Cage Inverter Rated</b>	Starting Method	<b>Line Or Inverter</b>
Poles	<b>6</b>	Rotation	<b>Reversible</b>
Mounting	<b>Rigid base</b>	Motor Orientation	<b>Horizontal Or Shaft Down</b>
Drive End Bearing	<b>Ball</b>	Opp Drive End Bearing	<b>Ball</b>
Frame Material	<b>Rolled Steel</b>	Shaft Type	<b>JM</b>
Frame Length	<b>11.15 in</b>	Shaft Diameter	<b>0.874 in</b>
Shaft Extension	<b>4.53 in</b>	Assembly/Box Mounting	<b>F1/F2 Capable</b>
Outline Drawing	<b>SS620792</b>	Connection Diagram	<b>EE7300</b>

This is an uncontrolled document once printed or downloaded and is subject to change without notice. Date Created: 07/02/2018



		TOLERANCES UNLESS SPECIFIED		 <b>REGAL-BELOIT CORPORATION</b>	DRAWN						
		DEC.	INCHES		ZYH 4-1-2017						
		.X	±.1		CHK HZJ 4-1-2017						
		.XX	±.03	TITLE	APPD CL 4-1-2017						
		.XXX	±.005	213/215T FR-JM-ROLLED STEEL	SCALE 1=5						
		.XXXX	±.0005	MAT'L.	REF						
				FINISH	FMF WUXI						
NO.	REVISION	BY & DATE	CHK	ANG	±1/2	FINISH	CAD FILE	DP JM 213-215	SIZE	DRAWING NO.	REV.
THIS DRAWING IN DESIGN AND DETAIL IS OUR PROPERTY AND MUST NOT BE USED EXCEPT IN CONNECTION WITH OUR WORK ALL RIGHTS OF DESIGN AND INVENTION ARE RESERVED THIS IS AN ELECTRONICALLY GENERATED DOCUMENT - DO NOT SCALE THIS PRINT							RFP		B	SS620792	
							DIST				

**THREE PHASE - SINGLE VOLTAGE  
MOTOR - CONDUIT BOX @ 'A'**

**TO REVERSE ROTATION:  
INTERCHANGE ANY TWO  
LINE LEAD CONNECTIONS.**

**TERMINAL BLOCK WHEN SPECIFIED**



**VIEW OF TERMINAL END**

**IF MOTOR HAS  
6 LEADS**

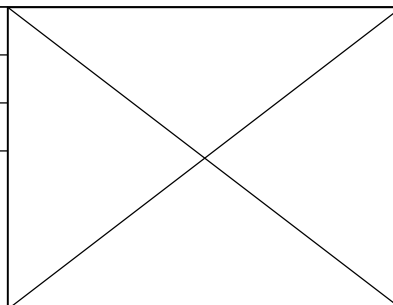


A-9806 DECAL

**OPTIONAL CORD  
CONNECTION**



DRAWING REVISION AB	REVISION BY JJB	DATE 06-27-2017
ECO ECO-0125361	APPROVED BY TB	DATE 06-27-2017
ECO DESCRIPTION <b>UPDATED TO CURRENT STANDARDS</b>		
<small>COPYRIGHT REGAL BELOIT AMERICA, INC. ALL RIGHTS RESERVED.                  PROPRIETARY AND CONFIDENTIAL INFORMATION - THIS DOCUMENT IS THE PROPERTY OF                  REGAL BELOIT AMERICA, INC. ("OWNER") AND CONTAINS OWNER'S PROPRIETARY                  INFORMATION. ANY PERSON, CORPORATION OR OTHER FIRM RECEIVING IT IS DEEMED,                  BY RECEIVING IT, TO AGREE THAT IT, AND/OR ANY PART OF IT, SHALL NOT BE DISCLOSED                  TO ANY PERSON, CORPORATION OR OTHER ENTITY, DUPLICATED, AND/OR USED, EXCEPT                  AS EXPRESSLY APPROVED IN WRITING IN ADVANCE BY OWNER. THIS DOCUMENT SHALL                  BE RETURNED TO OWNER UPON REQUEST. IT MAY BE SUBJECT TO CERTAIN                  RESTRICTIONS UNDER APPLICABLE EXPORT CONTROL LAWS AND REGULATIONS.</small>		



DRAWN BY DA	Regal Beloit America, Inc.
DATE 03-26-1993	
APPROVED BY TB	DESCRIPTION <b>CONNECTION DIAGRAM</b> EXTERNAL - SINGLE VOLTAGE - 3Ø MOTOR
DATE 03-26-1993	MATERIAL
REFERENCE	PROCESS/FINISH
THIRD ANGLE PROJECTION	SIZE <b>A</b>
	DRAWING NUMBER <b>EE7300</b>
	SHEET <b>1 OF 1</b>



**P.O. BOX 8003  
WAUSAU, WI 54401-8003  
PH. 715-675-3311**

**CERTIFICATION DATA SHEET**

**CUSTOMER:**  
**ORDER #:**  
**CONN. DIAGRAM:**  
**OUTLINE:**  
**WINDING #:**

**CUSTOMER PO #:**  
**MODEL #:**  
**CUSTOMER PART #:**  
**MOUNTING:**

**TYPICAL MOTOR PERFORMANCE DATA**

HP	KW	SYNC. RPM	F.L. RPM	FRAME	ENCLOSURE	KVA CODE	DESIGN	
5	3.70	1200	1181	215JMV	DP	J	B	
PH	Hz	VOLTS	AMPS	START TYPE	DUTY	INSL	S.F.	AMB°C
3	60	575	5.5	LINE OR INVERTER	CONTINUOUS	F7	1.15	40

<b>FULL LOAD EFF:</b>	89.1	<b>3/4 LOAD EFF:</b>	90.1	<b>1/2 LOAD EFF:</b>	84.5	<b>GTD. EFF</b>	88.5	<b>ELEC. TYPE</b>	
<b>FULL LOAD PF:</b>	76.4	<b>3/4 LOAD PF:</b>	70.7	<b>1/2 LOAD PF:</b>	62.8			<b>SQ CAGE INV RATED</b>	
<b>F.L. TORQUE</b>	<b>LOCKED ROTOR AMPS</b>	<b>L.R. TORQUE</b>	<b>B.D. TORQUE</b>	<b>F.L. RISE°C</b>					
22.3 LB-FT	38.4	37 LB-FT	166 %	59 LB-FT	265 %	30			

<b>SOUND PRESSURE @ 3 FT.</b>	<b>SOUND POWER</b>	<b>ROTOR WK^2</b>	<b>MAX. WK^2</b>	<b>SAFE STALL TIME</b>	<b>STARTS / HOUR</b>	<b>APPROX. MOTOR WGT</b>
62 DBA	72 DBA	1.1 LB-FT^2	75 LB-FT^2	20 SEC.	2	200 LBS.

**\*\*\* SUPPLEMENTAL INFORMATION \*\*\***

DE BRACKET TYPE	ODE BRACKET TYPE	MOUNT TYPE	ORIENTATION	SEVERE DUTY	HAZARDOUS LOCATION	DRIP COVER	SCREENS	PAINT
C-FACE	STANDARD	RIGID	HORIZONTAL OR SHAFT DOWN	FALSE	NONE	FALSE	NONE	BLUE (ENAMEL)

BEARINGS		GREASE	SHAFT TYPE	SPECIAL DE	SPECIAL ODE	SHAFT MATERIAL	FRAME MATERIAL
DE	ODE						
BALL	BALL	POLYREX EM	JM	NONE	NONE	1045 HOT ROLLED (C-204)	ROLLED STEEL
6307	6206						

THERMO-PROTECTORS				THERMISTORS	CONTROL	SPACE HEATERS
<b>THERMOSTATS</b>	<b>PROTECTORS</b>	<b>WDG RTDS</b>	<b>BRG RTDS</b>	NONE	FALSE	NONE
NONE	NOT	NONE	NONE			

**INVERTER**

**TORQUE:** CONSTANT 4:1/VARIABLE 20:1  
**INV. HP SPEED RANGE:** NONE

<b>ENCODER:</b>	NONE
NONE	NONE
NONE	PPR

<b>BRAKE:</b>	NONE	NONE
NONE	P/N	NONE
NONE	NONE	NONE
NONE	FT-LB	NONE V NONE HZ

**S**  
**E**  
**T**  
**O**  
**N**

\*

**PREPARED BY:** Anusha Muthyala  
**DATE:** 05/28/2018 06:45:15 AM  
**FORM 3531 REV.3 02/07/99**  
**\*\* Subject to change without notice.**

**MARATHON ELECTRIC CORPORATION**

TYPICAL PERFORMANCE CURVE for AC MOTOR

Customer

Curve at

575

Volts

HP 5.00

PHASE 3

Model No 215TTDBD6092

60

HZ

VOLTS 575

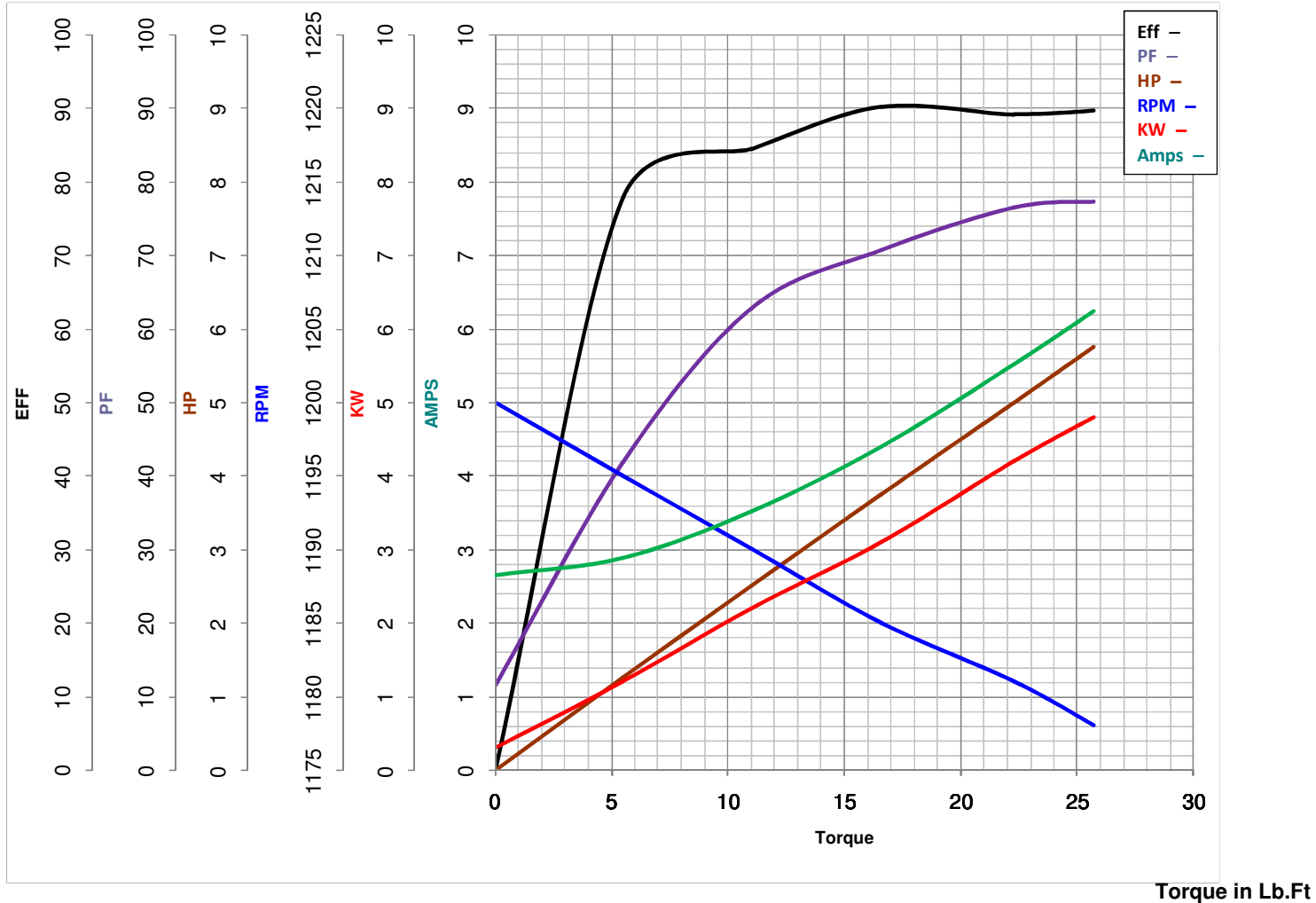
5

HP

Catalog No GT0514A

HZ 60

RPM 1181



FL TORQUE 22.3 Lb.Ft  
 BD TORQUE 59.0 Lb.Ft  
 LR TORQUE 37 Lb.Ft

FL AMPS 5.5  
 PU TORQUE 31.5 Lb.Ft  
 LR AMPS 38.4

WINDING HE31326017-3

Date 5/28/2018