

# PRODUCT INFORMATION PACKET

Model No: 286TSTDBD6026

Catalog No: GT0070

30 HP General Purpose Motor, 3 phase, 1800 RPM, 230/460 V, 286TS Frame, ODP  
Three Phase ODP Motors



### Nameplate Specifications

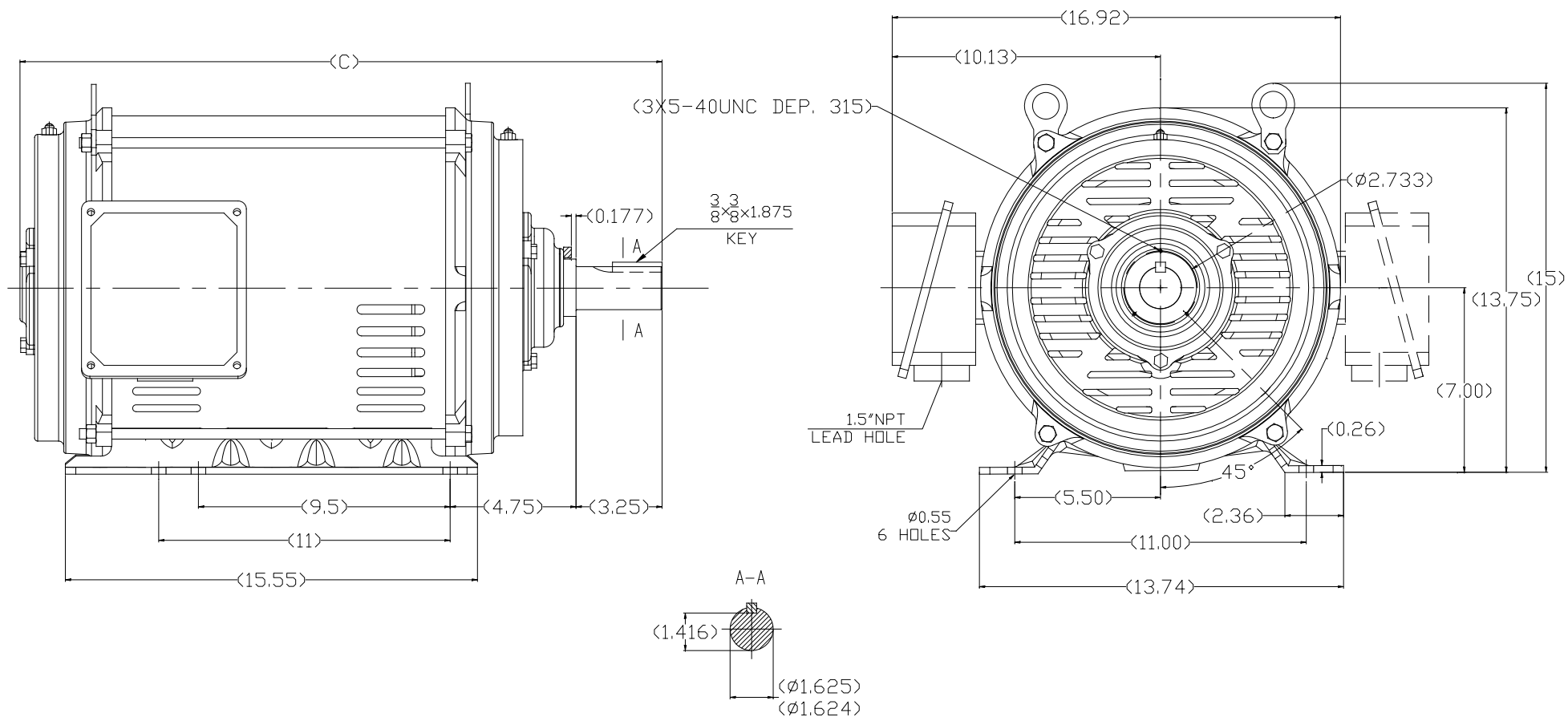
Output HP	<b>30 Hp</b>	Output KW	<b>22.4 kW</b>
Frequency	<b>60 Hz</b>	Voltage	<b>230/460 V</b>
Current	<b>72.5/36.0 A</b>	Speed	<b>1775 rpm</b>
Service Factor	<b>1.15</b>	Phase	<b>3</b>
Efficiency	<b>94.1 %</b>	Power Factor	<b>83.5</b>
Duty	<b>Continuous</b>	Insulation Class	<b>F</b>
Design Code	<b>B</b>	KVA Code	<b>G</b>
Frame	<b>286TS</b>	Enclosure	<b>Drip Proof</b>
Thermal Protection	<b>No</b>	Ambient Temperature	<b>40 °C</b>
Drive End Bearing Size	<b>6311</b>	Opp Drive End Bearing Size	<b>6210</b>
UL	<b>Recognized</b>	CSA	<b>Y</b>
CE	<b>Y</b>	IP Code	<b>22</b>

### Technical Specifications

Electrical Type	<b>Squirrel Cage Inverter Rated</b>	Starting Method	<b>Wye Start Delta Run Or Inverter</b>
Poles	<b>4</b>	Rotation	<b>Reversible</b>
Resistance Main	<b>.289 Ohms</b>	Mounting	<b>Rigid Base</b>
Motor Orientation	<b>Horizontal</b>	Drive End Bearing	<b>Ball</b>
Opp Drive End Bearing	<b>Ball</b>	Frame Material	<b>Rolled Steel</b>
Shaft Type	<b>TS</b>	Overall Length	<b>25.72 in</b>
Frame Length	<b>13.97 in</b>	Shaft Diameter	<b>1.625 in</b>
Shaft Extension	<b>3.25 in</b>	Assembly/Box Mounting	<b>F1/F2 CAPABLE</b>

This is an uncontrolled document once printed or downloaded and is subject to change without notice. Date Created:01/11/2019

SS620709



284TS	24.34	YES
286TS	25.72	YES
FRAME	C	F1/F2

		TOLERANCES UNLESS SPECIFIED				DRAWN WY 25-2-2016	
		DEC.	INCHES			CHK ZXW 25-2-2016	
		.X	±.1			APPD ZYH 25-2-2016	
		.XX	±.03			SCALE 1:1	
		.XXX	±.005	TITLE		REF	
A	RELEASED FOR PRODUCTION ECD-0116665	WGJ	1/19/17	EMH	.XXXX	MAT'L.	FMF
NO.	REVISION	BY & DATE	CHK	ANG	±1/2"	FINISH	PREV
THIS DRAWING IN DESIGN AND DETAIL IS OUR PROPERTY AND MUST NOT BE USED EXCEPT IN CONNECTION WITH OUR WORK ALL RIGHTS OF DESIGN AND INVENTION ARE RESERVED THIS IS AN ELECTRONICALLY GENERATED DOCUMENT - DO NOT SCALE THIS PRINT						RFP	
				CAD FILE	SS620709	SIZE	DRAWING NO. PAGE OF REV.
				DIST		B	SS620709 A



284/286TS FR.-ODP-ROLLED STEEL



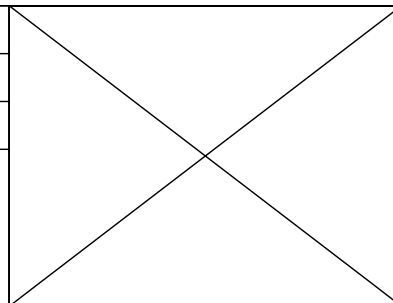
### LOW VOLTAGE



### HIGH VOLTAGE



DRAWING REVISION <b>K</b>	REVISION BY <b>AJW</b>	DATE <b>07-17-2015</b>
ECO <b>ECO-0081632</b>	APPROVED BY <b>T. VUE</b>	DATE <b>07-17-2015</b>
ECO DESCRIPTION <b>REV'D IEC MARKINGS PER IEC 60034-8</b>		
COPYRIGHT REGAL BELOIT AMERICA, INC. ALL RIGHTS RESERVED. PROPRIETARY AND CONFIDENTIAL INFORMATION - THIS DOCUMENT IS THE PROPERTY OF REGAL BELOIT AMERICA, INC. ("OWNER") AND CONTAINS OWNER'S PROPRIETARY INFORMATION. ANY PERSON, CORPORATION OR OTHER FIRM RECEIVING IT IS DEEMED, BY RECEIVING IT, TO AGREE THAT IT, AND/OR ANY PART OF IT, SHALL NOT BE DISCLOSED TO ANY PERSON, CORPORATION OR OTHER ENTITY, DUPLICATED, AND/OR USED, EXCEPT AS EXPRESSLY APPROVED IN WRITING IN ADVANCE BY OWNER. THIS DOCUMENT SHALL BE RETURNED TO OWNER UPON REQUEST. IT MAY BE SUBJECT TO CERTAIN RESTRICTIONS UNDER APPLICABLE EXPORT CONTROL LAWS AND REGULATIONS.		



DRAWN BY <b>LZ</b>	<b>Regal Beloit America, Inc.</b>	
DATE <b>01-12-1994</b>		
APPROVED BY <b>GK</b>	DESCRIPTION <b>CONN DIAGRAM-EXTERNAL</b> <b>3Ø-2/1 DELTA-12 LEADS</b>	
DATE <b>01-14-1994</b>		
REFERENCE	MATERIAL	PROCESS/FINISH
THIRD ANGLE PROJECTION	SIZE <b>A</b>	DRAWING NUMBER <b>EE7308AA</b>
		SHEET <b>1 OF 1</b>



**P.O. BOX 8003  
WAUSAU, WI 54401-8003  
PH. 715-675-3311**

**CERTIFICATION DATA SHEET**

**CUSTOMER:**

**CUSTOMER**

**ORDER #:**

**PO#:**

**CONN. DIAGRAM:** EE7308AA

**MODEL #:** 286TSTDBD6026 AA

**OUTLINE:** SS620709-286TS

**CUSTOMER PART**

**WINDING #:** HE31804010 2

**#:**

**MOUNTING:** F1/F2 CAPABLE

**TYPICAL MOTOR PERFORMANCE DATA**

HP	kW	SYNC. RPM	F.L. RPM	FRAME	ENCLOSURE	KVA CODE	DESIGN
30&25	22.4&18.7	1800	1775&1474	286TS	DP	G	B

PH	Hz	VOLTS	AMPS	START TYPE	DUTY	INSL	S.F.	AMB°C
3	60/50	230/460&190/380	72.5/36&73/36.5	Y START D RUN OR INV	CONTINUOUS	F7	1.15/1.15	40

FULL LOAD EFF:	94.1&93.3	3/4 LOAD EFF:	94.1	1/2 LOAD EFF:	93.6	GTD. EFF		ELEC. TYPE	
FULL LOAD PF:	83.5&84	3/4 LOAD PF:	79	1/2 LOAD PF:	69	93.6		SQ CAGE INV RATED	

F.L. TORQUE	LOCKED ROTOR AMPS	L.R. TORQUE	B.D. TORQUE	F.L. RISE°C
88.8 LB-FT	430 / 215	178 LB-FT 200 %	200 LB-FT 225 %	40

SOUND PRESSURE @ 3 FT.	SOUND POWER	ROTOR WK^2	MAX. WK^2	SAFE STALL TIME	STARTS / HOUR	APPROX. MOTOR WGT
75 dBA	85 dBA	4.8 LB-FT^2	175 LB-FT^2	20 SEC.	2	426 LBS.

**\*\*\* SUPPLEMENTAL INFORMATION \*\*\***

DE BRACKET TYPE	ODE BRACKET TYPE	MOUNT TYPE	ORIENTATION	SEVERE DUTY	HAZARDOUS LOCATION	DRIP COVER	SCREENS	PAINT
STANDARD	STANDARD	RIGID	HORIZONTAL	FALSE	NONE	FALSE	NONE	BLUE (EPOXY)

BEARINGS		GREASE	SHAFT TYPE	SPECIAL DE	SPECIAL ODE	SHAFT MATERIAL	FRAME MATERIAL
DE	ODE						
BALL	BALL	POLYREX EM	TS	NONE	NONE	1045 HOT ROLLED (C-204)	ROLLED STEEL
6311	6210						

THERMO-PROTECTORS				THERMISTORS	CONTROL	SPACE HEATERS
THERMOSTATS	PROTECTORS	WDG RTDs	BRG RTDs			
NONE	NOT	NONE	NONE	NONE	FALSE	NONE VOLTS

*  N  O  T  E  S  *	<b>INVERTER TORQUE:</b> VARIABLE 10:1
	<b>INV. HP SPEED RANGE:</b> NONE
	<b>ENCODER:</b> NONE NONE NONE NONE NONE PPR
	<b>BRAKE:</b> NONE NONE NONE P/N NONE NONE NONE NONE FT-LB NONE V NONE Hz

**PREPARED BY:** Anusha Muthyala  
**DATE:** 09/24/2019 01:46:03 AM  
FORM 3531 REV.3 02/07/99  
\*\* Subject to change without notice.

**MARATHON ELECTRIC CORPORATION**

TYPICAL PERFORMANCE CURVE for AC MOTOR

Customer

Curve at

460

Volts

HP 30&25

PHASE 3

Model No 286TSTDBD6026

60

HZ

VOLTS 230/460&190/380

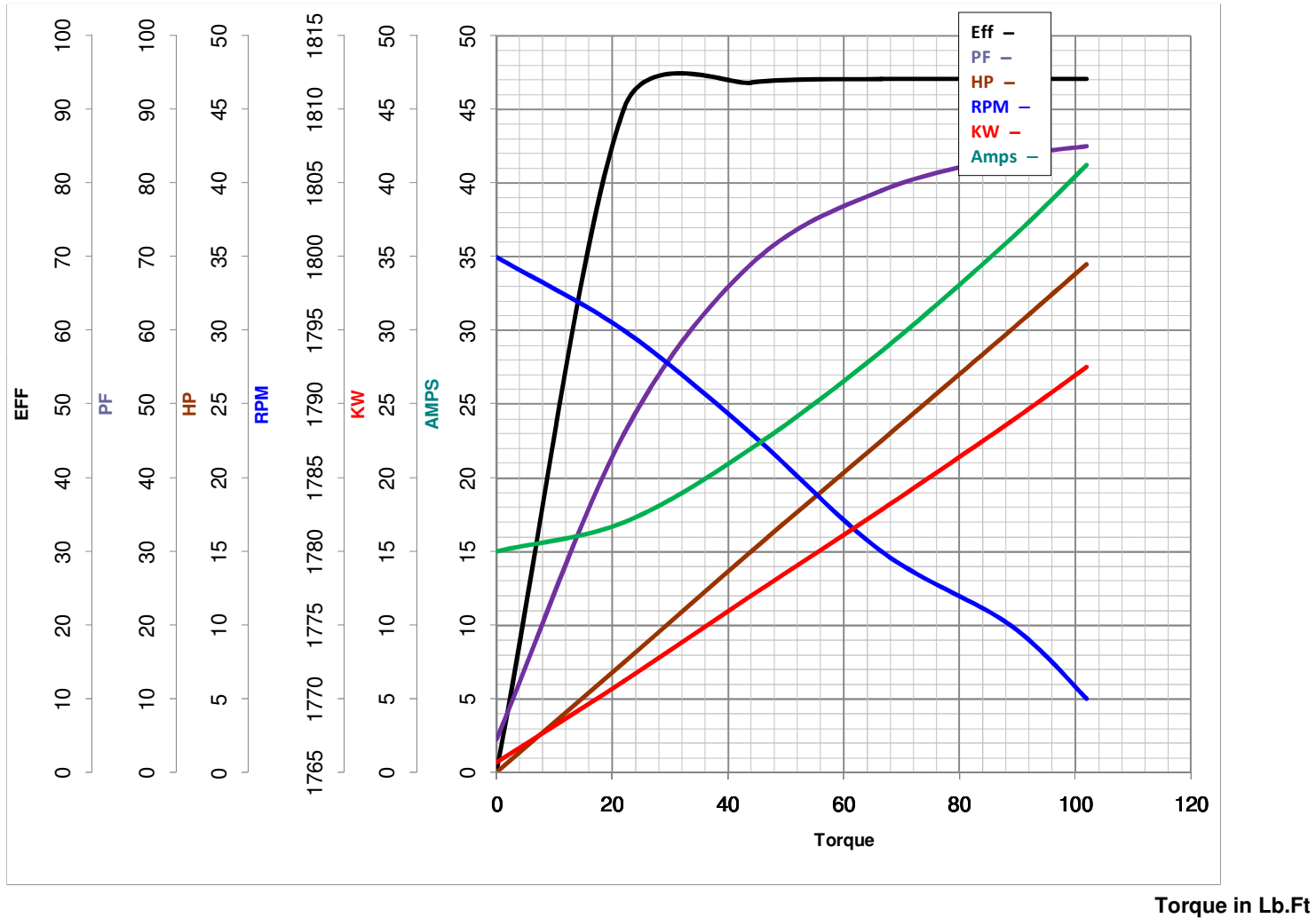
30

HP

Catalog No GT0070

HZ 60&50

RPM 1775&1474



FL TORQUE 88.8 Lb.Ft  
 BD TORQUE 200.0 Lb.Ft  
 LR TORQUE 178 Lb.Ft

FL AMPS 72.5/36  
 PU TORQUE 148.0 Lb.Ft  
 LR AMPS 215

WINDING HE31804010-2

Date 6/7/2018