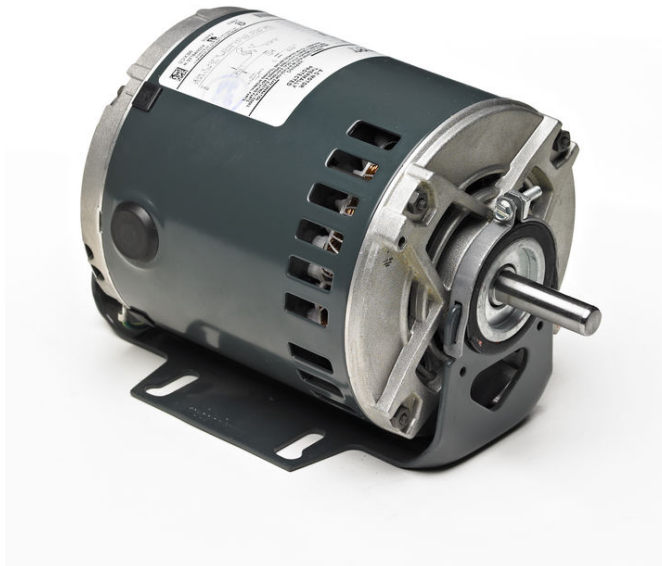


PRODUCT INFORMATION PACKET

Model No: 5KH33JNA534T
Catalog No: 4735
1/2,1725,OPEN,48Y,1/60/115
Belt Drive



Regal and Marathon are trademarks of Regal Beloit Corporation or one of its affiliated companies.
©2018 Regal Beloit Corporation, All Rights Reserved. MC017097E





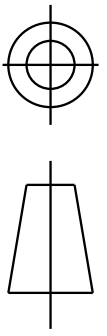
Nameplate Specifications

Output HP	0.5 Hp	Output KW	0.37 kW
Frequency	60 Hz	Voltage	115 V
Current	7.9 A	Speed	1725 rpm
Service Factor	1.25	Phase	1
Efficiency	62.5 %	Duty	CONT
Insulation Class	B	KVA Code	N
Frame	48Y	Enclosure	OPEN
Overload Protector	AUTO	Ambient Temperature	40 °C
Drive End Bearing Size	6203	Opp Drive End Bearing Size	6203
UL	Recognized	CSA	Yes
CE	N		

Technical Specifications

Electrical Type	Split Phase	Starting Method	SM
Poles	4	Rotation	CW/CCW
Mounting	RB	Motor Orientation	ANY
Drive End Bearing	BALL	Opp Drive End Bearing	BALL
Frame Material	Rolled Steel	Overall Length	10.28 in
Frame Length	5.41 in	Shaft Diameter	0.5 in
Shaft Extension	1.5 in	Thru-bolts Extension	0
Outline Drawing	52A109502P3	Connection Diagram	52A105379AA

This is an uncontrolled document once printed or downloaded and is subject to change without notice. Date Created: 04/06/2018



REV.

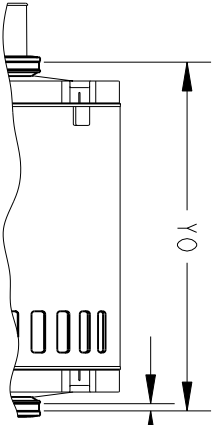
2 CHG TO RBC FORMAT PER IS05-1777

03/14/06

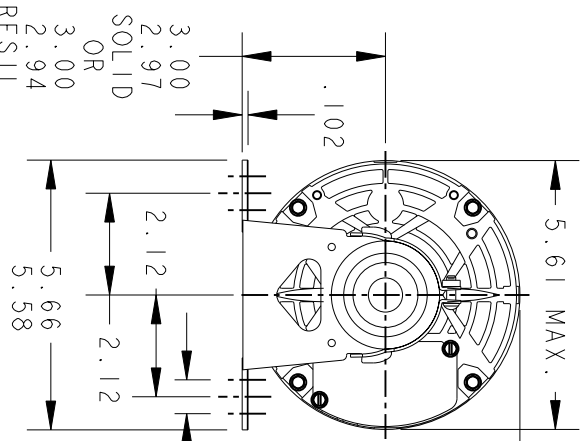
SUDHA

52A109502 2

DRAWING NO. A

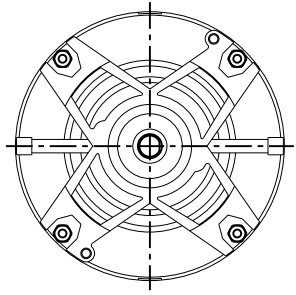


YO
.12

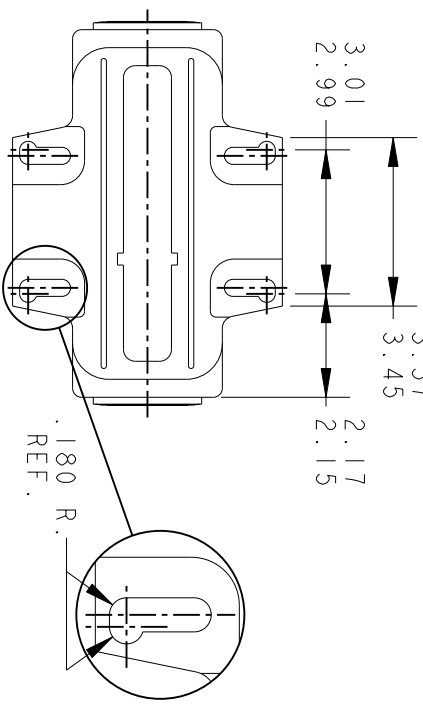
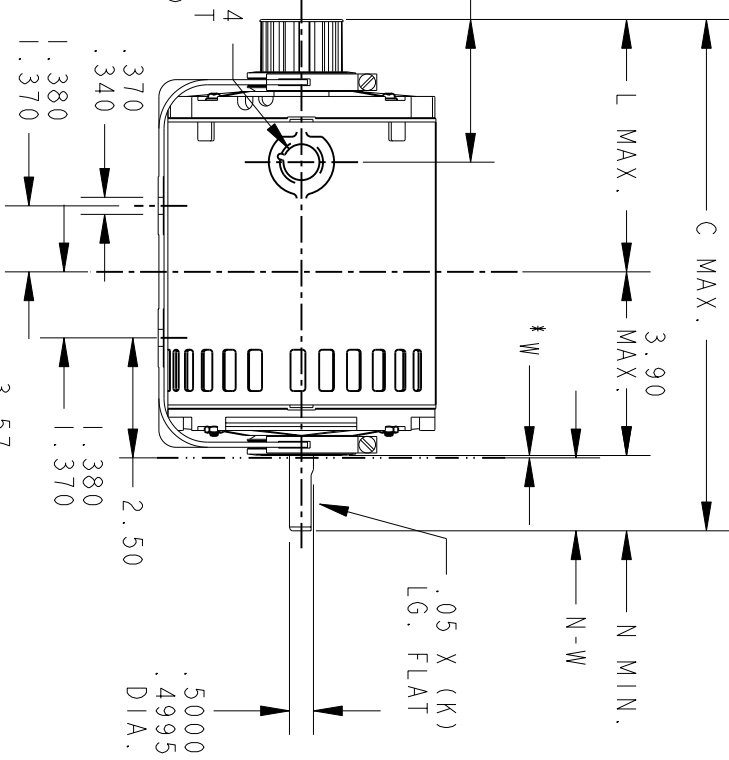
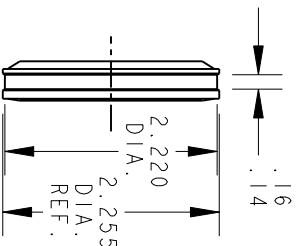


3.00
2.97
SOLID
OR
3.00
2.94
RESIL.

.500-14
CONDUIT
THREAD



VIEW SHOWING P.E.
VENTILATION OPENINGS



W IS A CLEARANCE DUE
TO VARIATION IN PARTS
AND ASSEMBLY.

P	TYPE	GE SIZE	NEMA FR	C	K	L	N	N-W	YO	SHELL REF
3	KH	33	48Y	10.28	1.16	4.76	1.50	1.63/1.41	8.41/7.12	
2	KH	32	48Y	10.03	1.16	4.51	1.50	1.63/1.41	8.16/6.87	
1	KH	39	48Y	9.78	1.16	4.26	1.50	1.63/1.41	7.91/6.62	4.91



REGAL-BELOLT CORPORATION

TITLE
OUTLINE

**PDD MOTOR - OPEN - RESILIENT BASE -
BALL BEARING - SPECIAL MOUNTING HOLES IN BASE**

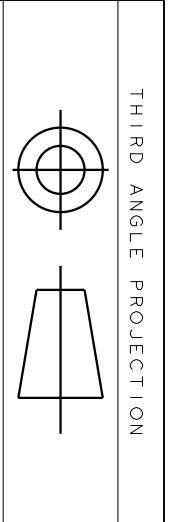
SIZE DRAWING
A

52A109502

REV 2

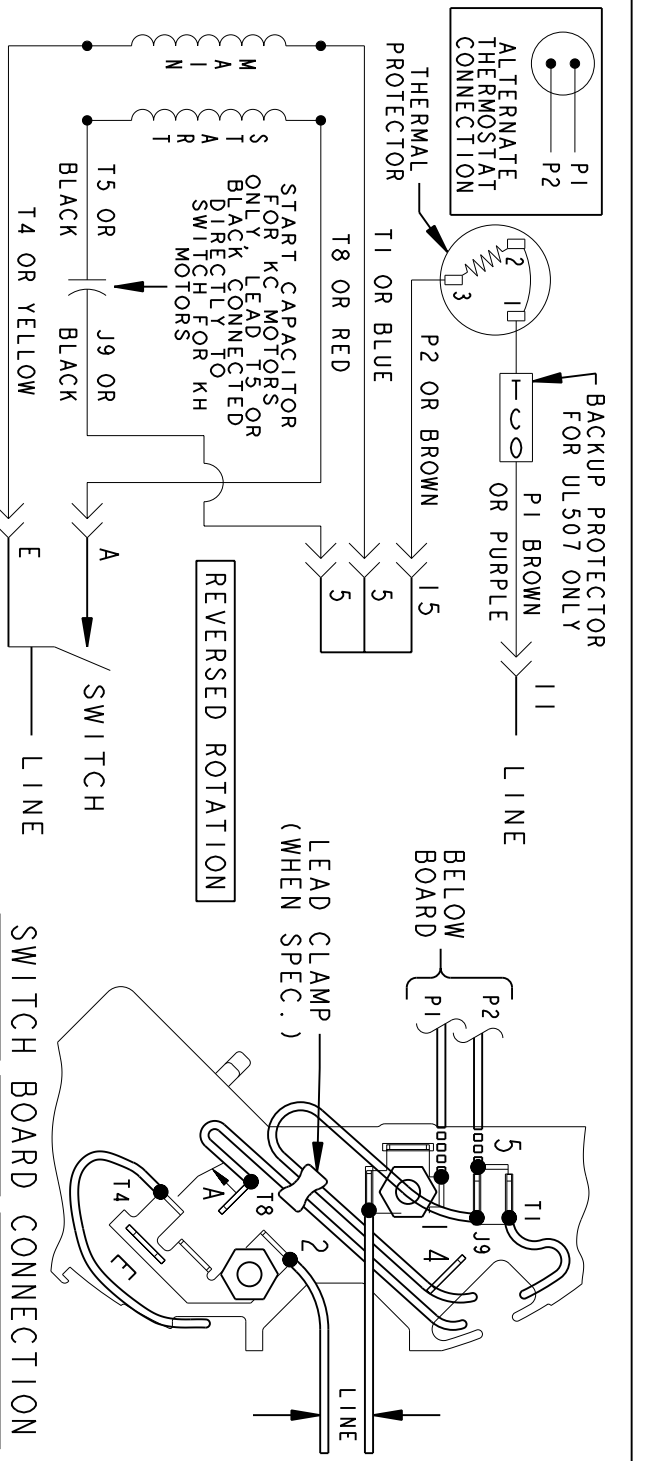
FOR ADDITIONAL INFO REFER TO:	MFG	
APPLIED PRACTICES	QUALITY	
DIMENSIONS ARE IN INCHES	ISSUED	M.D. PAPER 03/10/94
MATERIAL	SOLID MODEL:	52A109502

SCALE: 0.250 REF. No.: SHEET 1 of 1



REV.	DESCRIPTION	DATE	APPROVED
6	UPDATED FORMAT	12/01/05	MAM

EITHER ROTATION-SINGLE VOLTAGE-TYPE KC OR KH-WITH THERMAL PROTECTOR



NOTE #1 - TO REVERSE ROTATION INTERCHANGE RED (T8) AND BLACK (J9-KC OR T5-KH) LEADS.
 NOTE #2 - WHEN MORE THAN ONE CAPACITOR IS USED CONNECT IN PARALLEL.

SWITCH (C) - 115D958AB REF. DIAG. - 121A851 CONN. LABEL - 52X332048

SIGNATURES	DATE
MODEL M.D.PAPE	06/29/87
DETAIL	
CHECKED	
ENGRG	
MFG	
QUALITY	
ISSUED	M.D.P. 03/08/00
SOLID MODEL: 52A105379AA	

REGAL-BELOIT CORPORATION

REGAL-BELOIT

CONNECTION DIAGRAM

FMF - 30 FR SWITCH REDESIGN

SCALE: 1.000 REF. No.:

52A105379AA

REV 6