

# PRODUCT INFORMATION PACKET

Model No: 444TSHFCD19002

Catalog No: W604B

125 HP, Severe Duty Motors, 3 phase, 3600 RPM, 460 V, 444TS Frame, TEFC  
IEEE 841 Motors



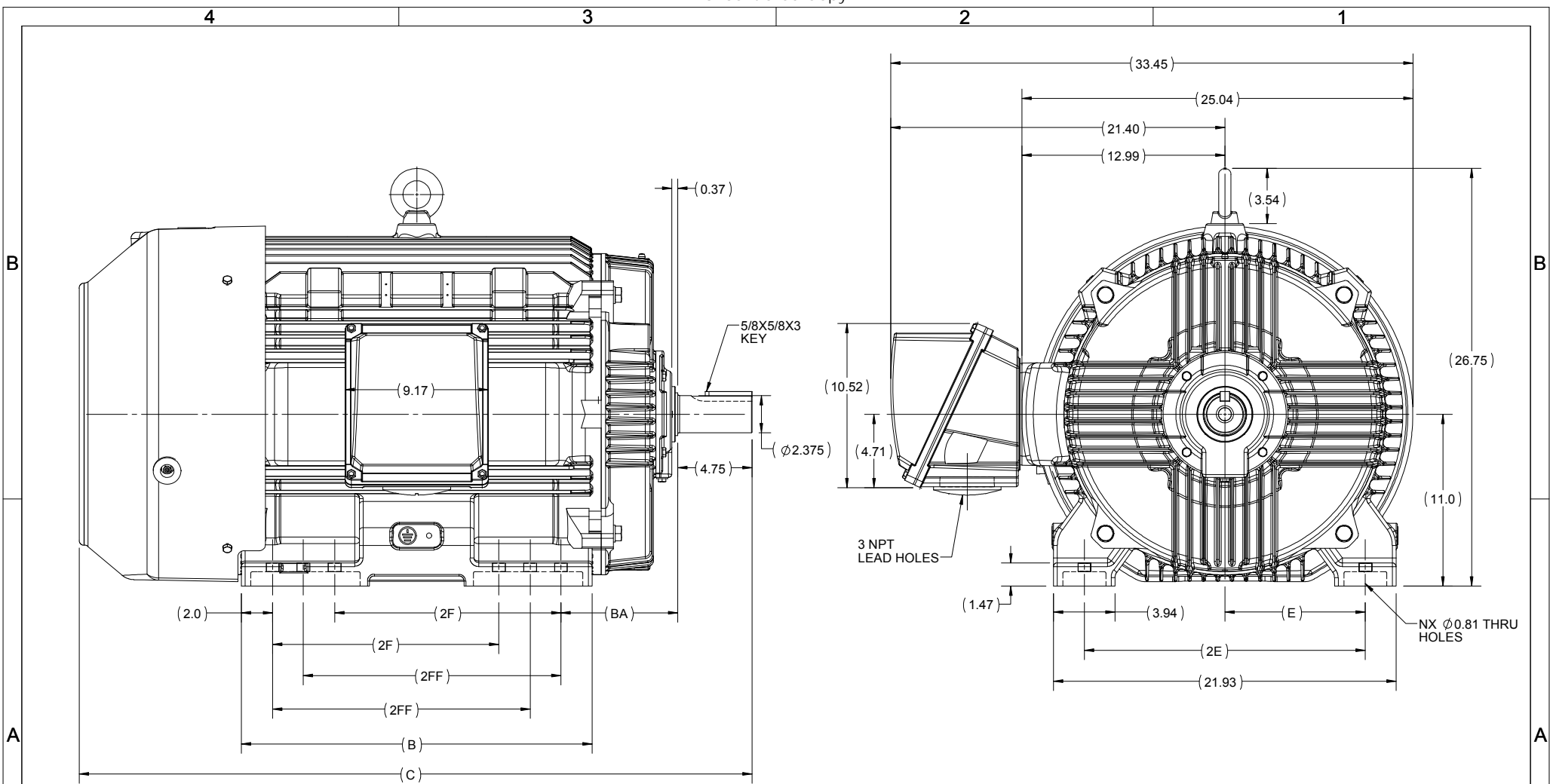
### Nameplate Specifications

Output HP	125 Hp	Output KW	93.0 kW
Frequency	60 Hz	Voltage	460 V
Current	138.0 A	Speed	3580 rpm
Service Factor	1.15	Phase	3
Efficiency	95 %	Power Factor	89.5
Duty	Continuous	Insulation Class	H
Design Code	B	KVA Code	G
Frame	444TS	Enclosure	Totally Enclosed Fan Cooled
Thermal Protection	No	Ambient Temperature	40 °C
Drive End Bearing Size	6314	Opp Drive End Bearing Size	6314
UL	Listed	CSA	Y
CE	Y	IP Code	56
Hazardous Location	DIVISION 2 T2B		

### Technical Specifications

Electrical Type	Squirrel Cage Inverter Rated	Starting Method	Line Or Inverter
Poles	2	Rotation	Selective Clockwise
Resistance Main	.0341 Ohms	Mounting	Rigid Base
Motor Orientation	Horizontal	Drive End Bearing	Ball
Opp Drive End Bearing	Ball	Frame Material	Cast Iron
Shaft Type	TS	Shaft Diameter	2.375 in
Assembly/Box Mounting	F1/F2 CAPABLE		
Outline Drawing	SS557669	Connection Drawing	EE7300U

This is an uncontrolled document once printed or downloaded and is subject to change without notice. Date Created:20/08/2020



DRAWING REVISION B	REVISION BY BISWA	DATE 25/01/2019
ECO ECO-0160791	APPROVED BY SBD	DATE 25/01/2019

ECO DESCRIPTION  
DRAWING UPDATED  
COPYRIGHT REGAL BELOIT AMERICA, INC. ALL RIGHTS RESERVED.  
PROPRIETARY AND CONFIDENTIAL INFORMATION - THIS DOCUMENT IS THE PROPERTY OF REGAL BELOIT AMERICA, INC. (OWNER) AND CONTAINS OWNER'S PROPRIETARY INFORMATION. ANY PERSON, CORPORATION OR OTHER FIRM RECEIVING IT IS DEEMED, BY RECEIVING IT, TO AGREE THAT IT, AND/OR ANY PART OF IT, SHALL NOT BE DISCLOSED TO ANY PERSON, CORPORATION OR OTHER ENTITY, DUPLICATED, AND/OR USED, EXCEPT AS EXPRESSLY APPROVED IN WRITING IN ADVANCE BY OWNER. THIS DOCUMENT SHALL BE RETURNED TO OWNER UPON REQUEST. IT MAY BE SUBJECT TO CERTAIN RESTRICTIONS UNDER APPLICABLE EXPORT CONTROL LAWS AND REGULATIONS.

DRAWN BY BISWA
DATE 10/10/2018
APPROVED BY SBD
DATE 10/10/2018
REFERENCE

**REGAL**™ Regal Beloit America, Inc.

DESCRIPTION  
**OUTLINE**  
444/445TS FR NEMA-SD & IEEE841

MATERIAL	PROCESS/FINISH
SIZE B	DRAWING NUMBER SS557669
THIRD ANGLE PROJECTION	SHEET 1 OF 1

444/445T	22.44	43.08	16.50	14.50	7.50	9.00	18.00	12	F1 OR F2
FRAME	B	C	2FF	2F	BA	E	2E	N	MOUNTING

4 3 2 1

**IF MOTOR HAS 9 LEADS**



**IF MOTOR HAS 6 LEADS**



A-9806 DECAL IF CALLED FOR

**IF MOTOR HAS 12 LEADS**



**VIEW OF TERMINAL END**

DRAWING REVISION <b>L</b>	REVISION BY <b>AJW</b>	DATE <b>05-04-2015</b>	TOLERANCES UNLESS OTHERWISE SPECIFIED:	DRAWN BY <b>DRS</b>	<b>Regal Beloit America, Inc.</b>																			
ECO <b>ECO-0077067</b>	APPROVED BY <b>EWH</b>	DATE <b>05-05-2015</b>	<table style="font-size: small; border-collapse: collapse;"> <tr> <td><u>DEC.</u></td> <td><u>INCH</u></td> <td><u>mm</u></td> <td><u>ANGLE</u></td> </tr> <tr> <td>.X</td> <td>±0.1</td> <td>[±2.5]</td> <td>±7' 30"</td> </tr> <tr> <td>.XX</td> <td>±0.02</td> <td>[±0.51]</td> <td></td> </tr> <tr> <td>.XXX</td> <td>±0.005</td> <td>[±0.127]</td> <td></td> </tr> <tr> <td>.XXXX</td> <td>±0.0005</td> <td>[±0.0127]</td> <td></td> </tr> </table>	<u>DEC.</u>		<u>INCH</u>	<u>mm</u>	<u>ANGLE</u>	.X	±0.1	[±2.5]	±7' 30"	.XX	±0.02	[±0.51]		.XXX	±0.005	[±0.127]		.XXXX	±0.0005	[±0.0127]	
<u>DEC.</u>	<u>INCH</u>	<u>mm</u>	<u>ANGLE</u>																					
.X	±0.1	[±2.5]	±7' 30"																					
.XX	±0.02	[±0.51]																						
.XXX	±0.005	[±0.127]																						
.XXXX	±0.0005	[±0.0127]																						
ECO DESCRIPTION <b>UPDATED TO SOLIDWORKS</b>			REMOVE BURRS & BREAK SHARP EDGES: .003/.015 [.076/.381] X 45° CORNER FILLETS: R.02 [.51] MACHINED SURFACES: 200 $\sqrt{\text{INCH}}$ 5.1 $\sqrt{\text{mm}}$ mm SHOWN IN [BRACKETS]	APPROVED BY <b>GK</b>	DESCRIPTION <b>CONN DIAGRAM-EXTERNAL</b> 3Ø SINDLE VOLTAGE																			
COPYRIGHT REGAL BELOIT AMERICA, INC. ALL RIGHTS RESERVED. PROPRIETARY AND CONFIDENTIAL INFORMATION - THIS DOCUMENT IS THE PROPERTY OF REGAL BELOIT AMERICA, INC. ("OWNER") AND CONTAINS OWNER'S PROPRIETARY INFORMATION. ANY PERSON, CORPORATION OR OTHER FIRM RECEIVING IT IS DEEMED, BY RECEIVING IT, TO AGREE THAT IT, AND/OR ANY PART OF IT, SHALL NOT BE DISCLOSED TO ANY PERSON, CORPORATION OR OTHER ENTITY, DUPLICATED, AND/OR USED, EXCEPT AS EXPRESSLY APPROVED IN WRITING IN ADVANCE BY OWNER. THIS DOCUMENT SHALL BE RETURNED TO OWNER UPON REQUEST. IT MAY BE SUBJECT TO CERTAIN RESTRICTIONS UNDER APPLICABLE EXPORT CONTROL LAWS AND REGULATIONS.				DATE <b>09-30-1996</b>		MATERIAL	PROCESS/FINISH																	
				REFERENCE	SIZE <b>A</b>	DRAWING NUMBER <b>EE7300U</b>	SHEET <b>1 OF 1</b>																	



DATA VOLTS: 460

CERTIFICATION DATA SHEET

CONN. DIAGRAM: EE7300U  
 OUTLINE: SS557669-444TS  
 WINDING: HE32802009 NONE 1

MODEL #: 444TSHFCD19002  
 CAT #: W604B  
 MOUNTING: F1/F2 CAPABLE

TYPICAL MOTOR PERFORMANCE DATA

HP	KW	SYNC RPM	FL RPM	FRAME	ENCLOSURE	TYPE	KVA CODE	DESIGN
125	93	3600	3580	444TS	TEFC	TFC	G	B

PH	HZ	VOLTS	AMPS	START TYPE	DUTY	INSL	S.F.	AMB (°C)	ELEV.(ft)
3	60	460	138	LINE OR INVERTER	CONT	H	1.15	40	3300

F.L. EFF	95.0	3/4 LD EFF	94.5	1/2 LD EFF	93.6	GTD EFF	ELECT. TYPE
F.L. PF	89.5	3/4 LD PF	87.5	1/2 LD PF	81.5	94.5	SQ CAGE INV RATED

F.L. TORQUE	LR AMPS @ 460 V	L.R. TORQUE	B.D. TORQUE	F.L. RISE (°C)
183 LB-FT	905	275 LB-FT 150%	513 LB-FT 280%	60

SOUND PRESSURE @	SOUND	ROTOR WK <sup>1</sup>	MAX. LOAD WK <sup>2</sup>	SAFE STALL TIME	STARTS/HOUR	APROX.	MOTOR
80 dBA	89 dBA	31.0 LB-FT <sup>2</sup>	75 LB-FT <sup>2</sup>	15 SEC.	2	1741	LB.

\*\*\* SUPPLEMENTAL INFORMATION \*\*\*

DE BRACKET TYPE	ODE BRACKET TYPE	MOUNT TYPE	MOTOR ORIENTATION	SEVERE DUTY	HAZARDOUS LOCATION	DRIP COVER	SCREENS	PAINT
STANDARD	STANDARD	RIGID	HORIZONTAL	PREMIUM SEVERE DUTY	DIVISION 2 T2B	NO	NONE	BLUE (EPOXY)

BEARINGS		GREASE	SHAFT TYPE	SPECIAL DE	SPECIAL ODE	SHAFT	MATERIAL	FRAME MATERIAL
DE	ODE	POLYREX EM	TS	NONE	NONE	1045 HOT ROLLED (C-204)		CAST IRON
BALL	BALL							
6314	6314							

THERMOSTATS	PROTECTORS	WDG RTD's	BRG RTD's	THERMISTORS	CONTROL	SPACE	HEATERS
NONE	NOT	NONE	NONE	NONE	FALSE		NA

R1 (ohms/ph)	R2 (ohms/ph)	X1 (ohms/ph)	X2 (ohms/ph)	Xm (ohms/ph)	VIBRATION (in/sec)
0.021	0.011	0.161	0.186	6.855	0.080

*If Inverter equals NONE, contact factory for further information*

* N O T E S *		INVERTER TORQUE: VARIABLE 10:1
		INV. HP SPEED RANGE: NONE
		ENCODER: NONE
		NONE
		NONE PPR

PREPARED BY: ANUSHA M	BRAKE: NONE
DATE: 3/10/2020	NONE NONE
	FT-LB: NA
	VOLTAGE: NONE HZ:

FORM: 3531 REV\_4 2/27/06  
 \*\* Subject to change without notice.

