

# PRODUCT INFORMATION PACKET

Model No: 324THFCD9076

Catalog No: W562A

25 HP, Severe Duty Motors, 3 phase, 1200 RPM, 460 V, 324T Frame, TEFC  
IEEE 841 Motors





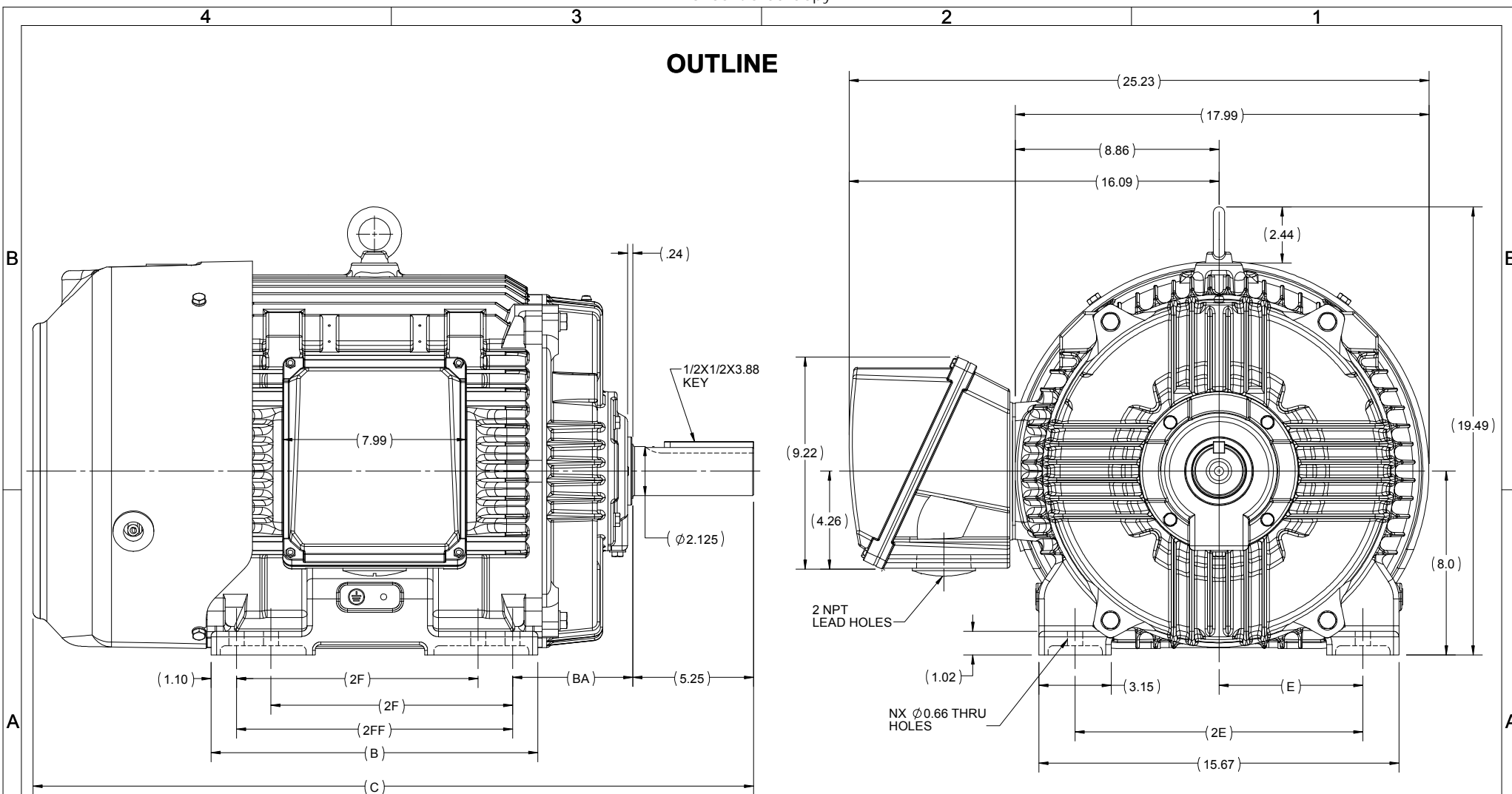
**Nameplate Specifications**

|                        |                       |                            |                                    |
|------------------------|-----------------------|----------------------------|------------------------------------|
| Output HP              | <b>25 Hp</b>          | Output KW                  | <b>18.7 kW</b>                     |
| Frequency              | <b>60 Hz</b>          | Voltage                    | <b>460 V</b>                       |
| Current                | <b>32.0 A</b>         | Speed                      | <b>1184 rpm</b>                    |
| Service Factor         | <b>1.15</b>           | Phase                      | <b>3</b>                           |
| Efficiency             | <b>93 %</b>           | Power Factor               | <b>78.5</b>                        |
| Duty                   | <b>Continuous</b>     | Insulation Class           | <b>H</b>                           |
| Design Code            | <b>B</b>              | KVA Code                   | <b>G</b>                           |
| Frame                  | <b>324T</b>           | Enclosure                  | <b>Totally Enclosed Fan Cooled</b> |
| Thermal Protection     | <b>No</b>             | Ambient Temperature        | <b>40 °C</b>                       |
| Drive End Bearing Size | <b>6312</b>           | Opp Drive End Bearing Size | <b>6212</b>                        |
| UL                     | <b>Listed</b>         | CSA                        | <b>Y</b>                           |
| CE                     | <b>Y</b>              | IP Code                    | <b>56</b>                          |
| Hazardous Location     | <b>DIVISION 2 T2B</b> |                            |                                    |

**Technical Specifications**

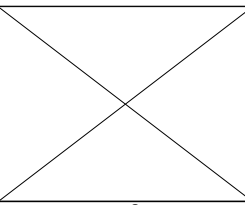
|                       |                                     |                    |                            |
|-----------------------|-------------------------------------|--------------------|----------------------------|
| Electrical Type       | <b>Squirrel Cage Inverter Rated</b> | Starting Method    | <b>Line Or Inverter</b>    |
| Poles                 | <b>6</b>                            | Rotation           | <b>Selective Clockwise</b> |
| Resistance Main       | <b>.327 Ohms</b>                    | Mounting           | <b>Rigid Base</b>          |
| Motor Orientation     | <b>Horizontal</b>                   | Drive End Bearing  | <b>Ball</b>                |
| Opp Drive End Bearing | <b>Ball</b>                         | Frame Material     | <b>Cast Iron</b>           |
| Shaft Type            | <b>T</b>                            | Shaft Diameter     | <b>2.125 in</b>            |
| Assembly/Box Mounting | <b>F1/F2 CAPABLE</b>                |                    |                            |
| Outline Drawing       | <b>SS312939-324T</b>                | Connection Drawing | <b>EE7300</b>              |

This is an uncontrolled document once printed or downloaded and is subject to change without notice. Date Created:20/08/2020



|          |       |       |       |       |      |      |       |   |          |
|----------|-------|-------|-------|-------|------|------|-------|---|----------|
| 324/326T | 14.21 | 31.35 | 12.00 | 10.50 |      |      |       | 8 | F1 OR F2 |
| 324T     | 12.71 | 29.85 | 10.50 | -     | 5.25 | 6.25 | 12.50 | 4 | F1 OR F2 |
| FRAME    | B     | C     | 2FF   | 2F    | BA   | E    | 2E    | N | MOUNTING |

|  |                      |                    |
|--|----------------------|--------------------|
| DRAWING REVISION<br>C  | REVISION BY<br>BISWA | DATE<br>28/03/2019 |
| ECO<br>ECO-0163961   | APPROVED BY<br>SBD   | DATE<br>28/03/2019 |
| ECO DESCRIPTION<br>DRAWING UPDATED   |                      |                    |
| <small>COPYRIGHT REGAL BELOIT AMERICA, INC. ALL RIGHTS RESERVED.<br/>         PROPRIETARY AND CONFIDENTIAL INFORMATION - THIS DOCUMENT IS THE PROPERTY OF<br/>         REGAL BELOIT AMERICA, INC. (OWNER) AND CONTAINS OWNERS PROPRIETARY<br/>         INFORMATION. ANY PERSON, CORPORATION OR OTHER FIRM RECEIVING IT IS DEEMED,<br/>         BY RECEIVING IT, TO AGREE THAT IT, AND/OR ANY PART OF IT, SHALL NOT BE DISCLOSED<br/>         TO ANY PERSON, CORPORATION OR OTHER ENTITY, DUPLICATED, AND/OR USED, EXCEPT<br/>         AS EXPRESSLY APPROVED IN WRITING IN ADVANCE BY OWNER. THIS DOCUMENT SHALL<br/>         BE RETURNED TO OWNER UPON REQUEST. IT MAY BE SUBJECT TO CERTAIN<br/>         RESTRICTIONS UNDER APPLICABLE EXPORT CONTROL LAWS AND REGULATIONS.</small> |                      |                    |



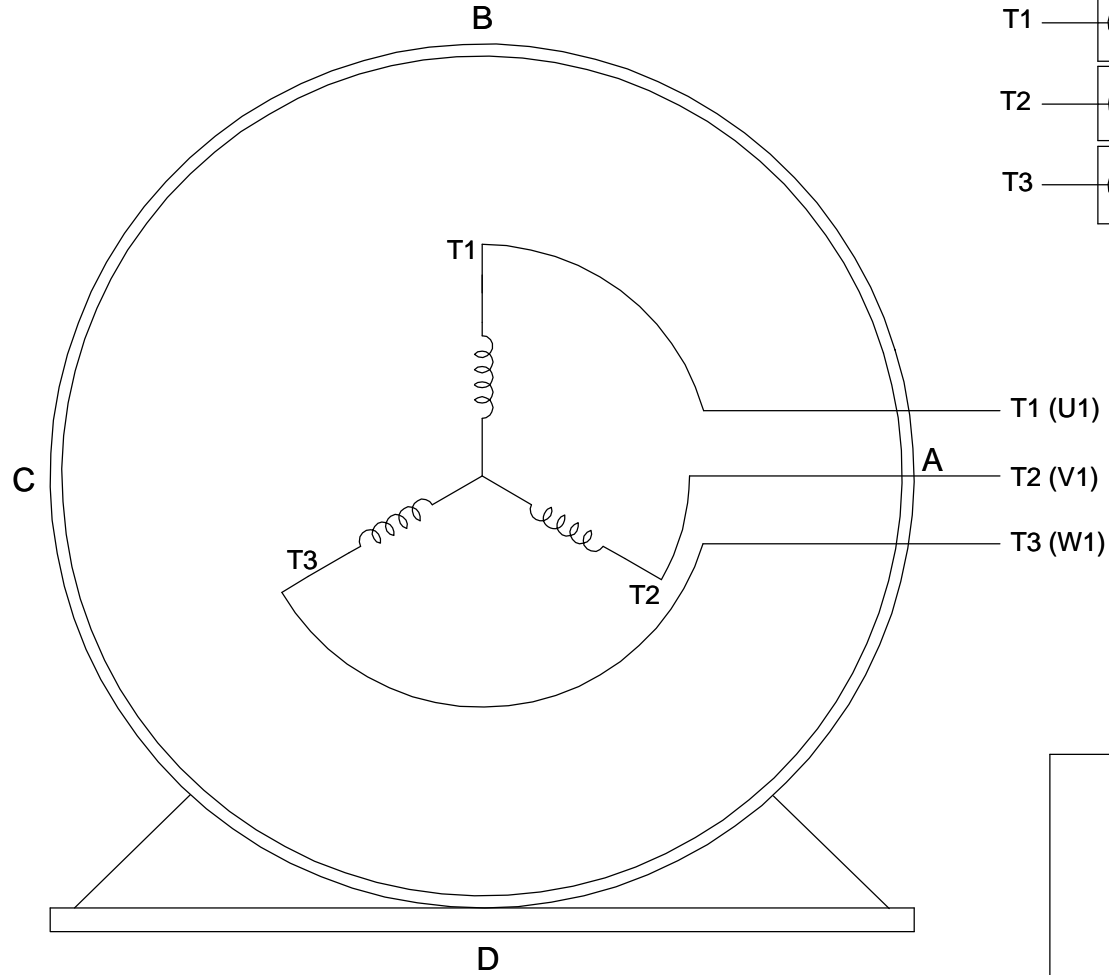
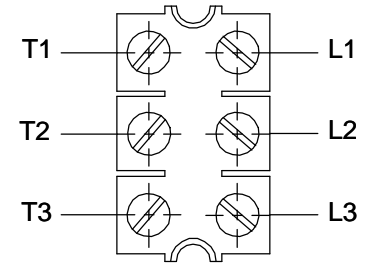
|                           |
|---------------------------|
| DRAWN BY<br>BISWA         |
| DATE<br>24/12/2018        |
| APPROVED BY<br>SBD        |
| DATE<br>24/12/2018        |
| REFERENCE                 |
| THIRD ANGLE<br>PROJECTION |

|  |                            |
|--|----------------------------|
| Regal Beloit America, Inc.                                     |                            |
| DESCRIPTION<br><b>OUTLINE</b><br>324/326T FR-NEMA-SD & IEEE841 |                            |
| MATERIAL   | PROCESS/FINISH             |
| SIZE<br>B  | DRAWING NUMBER<br>SS312939 |
|  | SHEET<br>1 OF 1            |

**THREE PHASE - SINGLE VOLTAGE  
MOTOR - CONDUIT BOX @ 'A'**

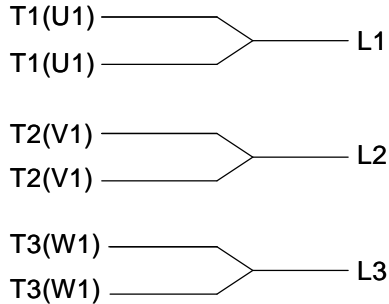
**TO REVERSE ROTATION:  
INTERCHANGE ANY TWO  
LINE LEAD CONNECTIONS.**

**TERMINAL BLOCK WHEN SPECIFIED**



**VIEW OF TERMINAL END**

**IF MOTOR HAS  
6 LEADS**



**A-9806 DECAL**

**OPTIONAL CORD  
CONNECTION**

- L1 WHITE
- L2 RED
- L3 BLACK

|   |                           |                           |
|---|---------------------------|---------------------------|
| DRAWING REVISION<br><b>AB</b>   | REVISION BY<br><b>JJB</b> | DATE<br><b>06-27-2017</b> |
| ECO<br><b>ECO-0125361</b>   | APPROVED BY<br><b>TB</b>  | DATE<br><b>06-27-2017</b> |
| ECO DESCRIPTION<br><b>UPDATED TO CURRENT STANDARDS</b>  |                           |                           |
| <small>COPYRIGHT REGAL BELOIT AMERICA, INC. ALL RIGHTS RESERVED.<br/>                 PROPRIETARY AND CONFIDENTIAL INFORMATION - THIS DOCUMENT IS THE PROPERTY OF<br/>                 REGAL BELOIT AMERICA, INC. ("OWNER") AND CONTAINS OWNER'S PROPRIETARY<br/>                 INFORMATION. ANY PERSON, CORPORATION OR OTHER FIRM RECEIVING IT IS DEEMED,<br/>                 BY RECEIVING IT, TO AGREE THAT IT, AND/OR ANY PART OF IT, SHALL NOT BE DISCLOSED<br/>                 TO ANY PERSON, CORPORATION OR OTHER ENTITY, DUPLICATED, AND/OR USED, EXCEPT<br/>                 AS EXPRESSLY APPROVED IN WRITING IN ADVANCE BY OWNER. THIS DOCUMENT SHALL<br/>                 BE RETURNED TO OWNER UPON REQUEST. IT MAY BE SUBJECT TO CERTAIN<br/>                 RESTRICTIONS UNDER APPLICABLE EXPORT CONTROL LAWS AND REGULATIONS.</small> |                           |                           |



|                           |
|---------------------------|
| DRAWN BY<br><b>DA</b>     |
| DATE<br><b>03-26-1993</b> |
| APPROVED BY<br><b>TB</b>  |
| DATE<br><b>03-26-1993</b> |
| REFERENCE                 |
| THIRD ANGLE<br>PROJECTION |

|                                   |                                 |  |
|-----------------------------------|---------------------------------|--|
| <b>Regal Beloit America, Inc.</b> |                                 |  |
|                                   |                                 | DESCRIPTION<br><b>CONNECTION DIAGRAM</b><br>EXTERNAL - SINGLE VOLTAGE - 3Ø MOTOR |
| MATERIAL                          | PROCESS/FINISH                  |  |
| SIZE<br><b>A</b>                  | DRAWING NUMBER<br><b>EE7300</b> | SHEET<br><b>1 OF 1</b>   |



DATA VOLTS: 460

CERTIFICATION DATA SHEET

CONN. DIAGRAM: EE7300  
 OUTLINE: SS312939-324T  
 WINDING: HA32006005 NONE 4

MODEL #: 324THFCD9076  
 CAT #: W562A  
 MOUNTING: F1/F2 CAPABLE

TYPICAL MOTOR PERFORMANCE DATA

| HP                               | KW               | SYNC RPM                | FL RPM                 | FRAME               | ENCLOSURE          | TYPE   | KVA CODE          | DESIGN       |           |  |
|----------------------------------|------------------|-------------------------|------------------------|---------------------|--------------------|--|-------------------|--------------|-----------|--|
| 25                               | 18.7             | 1200                    | 1184                   | 324T                | TEFC               | TFC  | G                 | B            |           |  |
| PH                               | HZ               | VOLTS                   | AMPS                   | START TYPE          | DUTY               | INSL   | S.F.              | AMB (* C)    | ELEV. (F) |  |
| 3                                | 60               | 460                     | 32                     | LINE OR INVERTER    | CONT               | H  | 1.15              | 40           | 3300      |  |
| F.L. EFF                         | 3/4 LD EFF       | 93.0                    | 93.0                   | 1/2 LD EFF          | 92.4               | GTD EFF  | ELECT. TYPE       |              |           |  |
|                                  |                  |                         |                        |                     |                    |  | SQ CAGE INV RATED |              |           |  |
| F.L. PF                          | 3/4 LD PF        | 78.5                    | 73.5                   | 1/2 LD PF           | 62.0               | 92.4   |                   |              |           |  |
| F.L. TORQUE                      | LR AMPS @ 460 V  | L.R. TORQUE             |                        | B.D. TORQUE         |                    | F.L. RISE (* C)  |                   |              |           |  |
| 111 LB-FT                        | 182              | 200 LB-FT               | 180%                   | 272 LB-FT           | 245%               | 80   |                   |              |           |  |
| SOUND PRESSURE                   | SOUND            | ROTOR WK'               | MAX. LOAD WK'          | SAFE STALL TIME     | STARTS/HOUR        | APROX.   | MOTOR             |              |           |  |
| 65 dBA                           | 74 dBA           | 11.8 LB-FT <sup>2</sup> | 375 LB-FT <sup>2</sup> | 20 SEC.             | 2                  | 582  | LB.               |              |           |  |
| *** SUPPLEMENTAL INFORMATION *** |                  |                         |                        |                     |                    |  |                   |              |           |  |
| DE BRACKET TYPE                  | ODE BRACKET TYPE | MOUNT TYPE              | MOTOR ORIENTATION      | SEVERE DUTY         | HAZARDOUS LOCATION | DRIP COVER   | SCREENS           | PAINT        |           |  |
| STANDARD                         | STANDARD         | RIGID                   | HORIZONTAL             | PREMIUM SEVERE DUTY | DIVISION 2 T2B     | NO   | NONE              | BLUE (EPOXY) |           |  |
| BEARINGS                         |                  | GREASE                  | SHAFT TYPE             | SPECIAL DE          | SPECIAL ODE        | SHAFT MATERIAL   | FRAME MATERIAL    |              |           |  |
| DE                               | ODE              | POLYREX EM              | T                      | NONE                | NONE               | 1045 HOT ROLLED (C-204)  | CAST IRON         |              |           |  |
| BALL                             | BALL             |                         |                        |                     |                    |  |                   |              |           |  |
| 6312                             | 6212             |                         |                        |                     |                    |  |                   |              |           |  |
| THERMOSTATS                      | PROTECTORS       | WDG RTD's               | BRG RTD's              | THERMISTORS         | CONTROL            | SPACE  | HEATERS           |              |           |  |
| NONE                             | NOT              | NONE                    | NONE                   | NONE                | FALSE              | NA   |                   |              |           |  |
| R1 (ohms/ph)                     | R2 (ohms/ph)     | X1 (ohms/ph)            | X2 (ohms/ph)           | Xm (ohms/ph)        | VIBRATION (In/Sec) |  |                   |              |           |  |
| 0.202                            | 0.123            | 0.795                   | 1.226                  | 17.139              | 0.080              |  |                   |              |           |  |
| *<br>N<br>O<br>T<br>E<br>S<br>*  |                  |                         |                        |                     |                    | If inverter equals NONE, contact factory for further information |                   |              |           |  |
|                                  |                  |                         |                        |                     |                    | INVERTER TORQUE: CONSTANT 2:1/VARIABLE 10:1                      |                   |              |           |  |
|                                  |                  |                         |                        |                     |                    | INV. HP SPEED RANGE: NONE  |                   |              |           |  |
|                                  |                  |                         |                        |                     |                    | ENCODER: NONE  |                   |              |           |  |
|                                  |                  |                         |                        |                     |                    | NONE PPR   |                   |              |           |  |
| PREPARED BY: ANUSHA M            |                  |                         |                        |                     | BRAKE: NONE        |  |                   |              |           |  |
| DATE: 3/31/2020                  |                  |                         |                        |                     | NONE NONE          |  |                   |              |           |  |
|                                  |                  |                         |                        |                     | FT-LB: NA          |  |                   |              |           |  |
|                                  |                  |                         |                        |                     | VOLTAGE: NONE HZ:  |  |                   |              |           |  |

FORM: 3531 REV. 4 2/27/06  
 \*\* Subject to change without notice.