



WM2V-GY

Item Description

2-Gang Weatherproof Cover for GFCI, Single Receptacle or Duplex Receptacle, Metallic Enclosure, Flat Lid, Includes inserts for GFCI, Single Receptacle and Duplex Receptacle Installations, Weatherproof Cover, Weatherproof Gasket and Mounting Screws - GRAY

Technical Information

Material Specifications

Cover/Lid: Aluminum

Mounting Screws: Stainless Steel

Torsion Spring Mechanism: Stainless Steel

Product Features

Color: Gray

Standards and Certifications

CULUS Listed: E92327

NEMA: Rated 3R

RoHS: Compliant

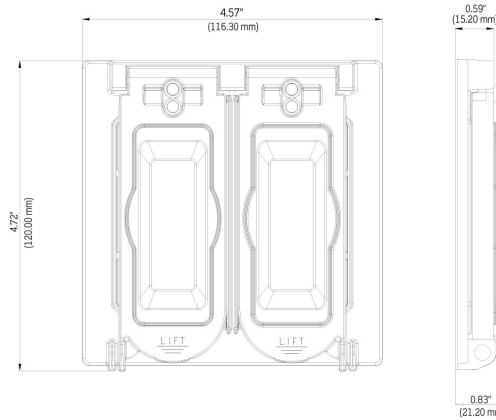
Warranty

Product Warranty: 2-Year Limited



UPC Code: 07847775039

Country Of Origin: India



SPECIFICATION SUBMITTAL

JOB NAME:	CATALOG NUMBERS:	
<input type="text"/>	<input type="text"/>	<input type="text"/>
JOB NUMBER:	<input type="text"/>	<input type="text"/>

Leviton Manufacturing Co., Inc.

201 North Service Road, Melville, NY 11747

Teléfono: +1-800-323-8920 · FAX: +1-800-832-9538 · Tech Line (8:30AM-7:30PM E.S.T. Monday-Friday): +1-800-824-3005

Leviton Manufacturing of Canada, Ltd.

165 Hymus Boulevard, Pointe Claire, Quebec H9R 1E9 · Telephone: +1-800-469-7890 ·

FAX: +1-800-824-3005 · www.leviton.com/canada

Leviton S. de R.L. de C.V.

Lago Tana 43, Mexico DF, Mexico CP 11290 · Tel.: (+52)55-5082-1040 · FAX: (+52)5386-

1797 · www.leviton.com.mx

Visit our Website at: www.leviton.com

© 2018 Leviton Manufacturing Co., Inc. Todos los derechos reservados. Subject to change without notice.

Leviton has a global presence.

If you would like to know where your local Leviton office is located please go to:

www.leviton.com/international/contacts/

