

DuraPort® Industrial Stainless-Steel Wallplates

APPLICATION

DuraPort industrial connectivity products provide IP67-class protection to safeguard your connectivity from humidity/moisture, corrosive materials, temperature extremes, and other conditions often found in the industrial environment.



SPECIFICATION

Single-gang and dual-gang stainless-steel wallplates shall be field configurable and accept DuraPort Industrial Connector Housings. The single-gang wallplate shall provide 1 or 2 ports, and the dual-gang shall provide 2 or 4 ports. Wallplate shall be constructed of stainless steel, have an integral over-molded gasket, fit standard NEMA electrical boxes, be cULus Listed, and compliant with ANSI/TIA-1005.

FEATURES

- IP67-rated environmental sealing (dust/water protection)
- Over-molded wallplate gasket ensures watertight fit
- Wallplate mounting holes have embedded sealing feature which provides the dual benefit of sealing, and helping to ensure proper orientation during installation of wallplate
- Provide a durable, easy-to-clean solution for demanding environments
- Available in single-gang configurations of 1 or 2 ports and dual-gang configurations of 2 or 4 ports

DESIGN CONSIDERATIONS

- Uses standard Leviton QuickPort opening to easily replace, or upgrade performance without replacing entire outlet
- Compatible with standard NEMA boxes
- DuraPort Industrial Patch Cords and QuickPort connectors sold separately

STANDARDS COMPLIANCE

IEC IP67; cULus Listed; complies with ANSI/TIA-1005, ANSI/TIA-568, UL 1863, and CAN/CSA-C22.2 No. 182.4-1990.

PHYSICAL SPECIFICATIONS

Ingress Protection:	IP67 (dust/water)
Dimensions:	See page two
Capacity:	
Single-Gang	1 or 2 ports
Dual-Gang	2 or 4 ports
Materials:	
Wallplate Type	302 Stainless Steel
Mounting Screws	Type 18-8 Stainless Steel
Wallplate Gasket	Thermoplastic Elastomer

COUNTRY OF ORIGIN

Mexico

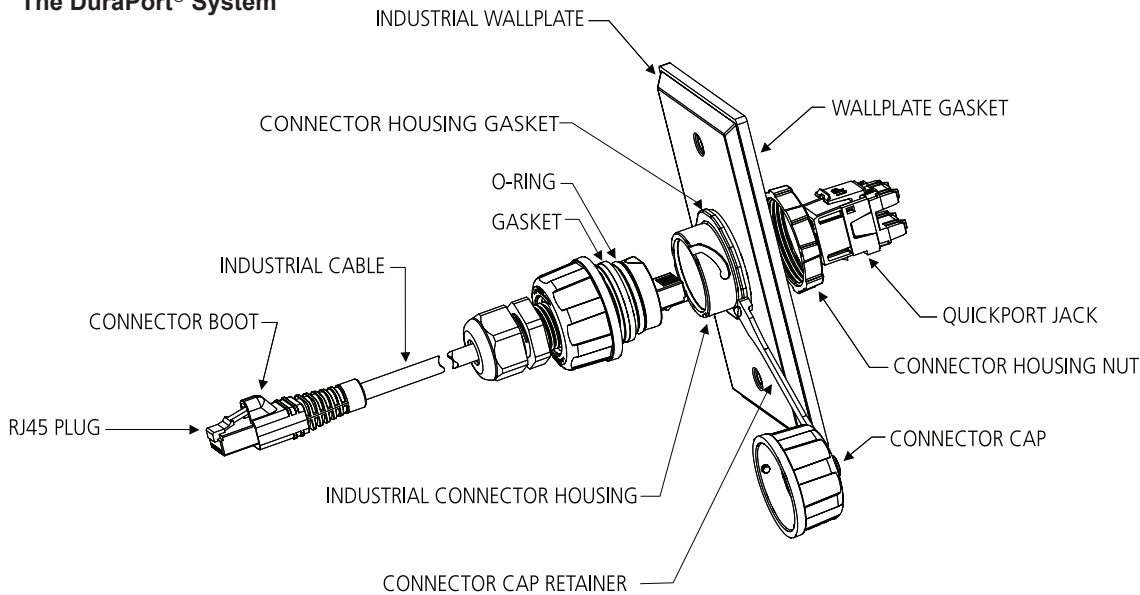
WARRANTY INFORMATION

For a copy of Leviton product warranties, visit www.leviton.com/warranty.

ELECTRONIC FILES

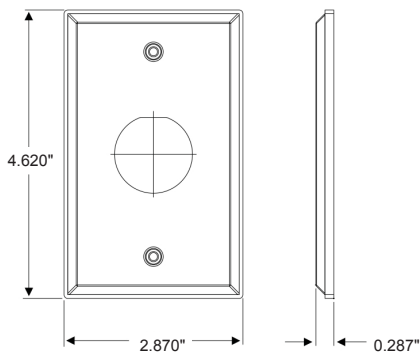
For CAD files, typical specs, or technical drawings (.DXF, .DWG), visit www.leviton.com.

The DuraPort® System

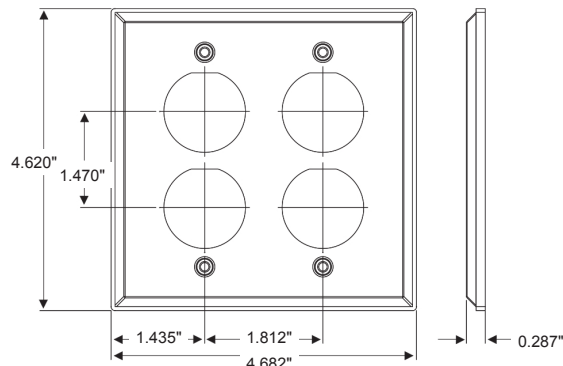


D6710-xSx

DuraPort Industrial Wallplate



Single-Gang, 1-Port



Dual-Gang, 4-Port

PART NUMBERS

Description	Part No.
DuraPort Industrial Stainless-Steel Wallplate, Single-Gang, 1 port	D6710-1S1
DuraPort Industrial Stainless-Steel Wallplate, Single-Gang, 2 ports	D6710-1S2
DuraPort Industrial Stainless-Steel Wallplate, Dual-Gang, 2 ports	D6710-2S2
DuraPort Industrial Stainless-Steel Wallplate, Dual-Gang, 4 ports	D6710-2S4

Leviton Network Solutions
2222 - 222nd St. SE
Bothell, WA 98021-4416

Asia / Pacific
T +1.631.812.6228
E infoasean@leviton.com

Canada
T +1.514.954.1840
E pcservice@leviton.com

Caribbean
T +1.954.593.1896
E infocaribbean@leviton.com

China
T +852.2774.9876
E infochina@leviton.com

Colombia
T +57.1.743.6045
E infocolombia@leviton.com

tel 1-800-824-3005
tel +1-425-486-2222
appeng@leviton.com
www.leviton.com

Europe
T +33.6.8869.1380
E infoeurope@leviton.com

India / SAARC
T +971.4.886.4722
E infoindia@leviton.com

Mexico
T +52.55.5082.1040
E Esamarketing@leviton.com

Middle East & Africa
T +971.4.886.4722
E lmeinfo@leviton.com

South Korea
T +82.2.3273.9963
E infokorea@leviton.com