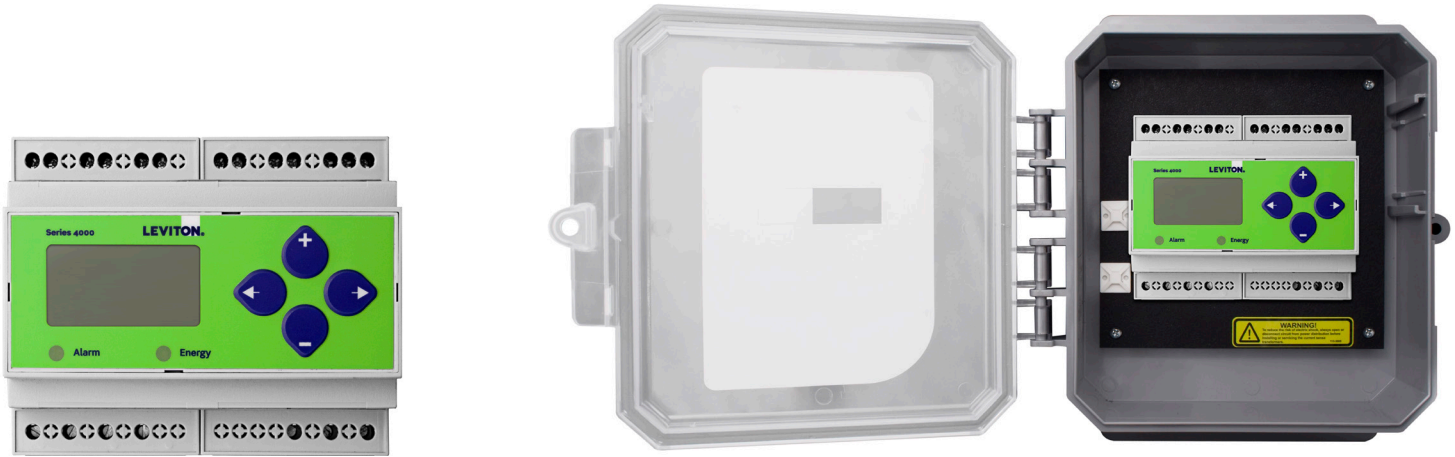


# VerifEye™ Series 4000 0.2% Accurate Industrial ModBus Meter Kits



## Description

Meter Kits are revenue-grade (ANSI 12.20 Class 0.2%) kWh electrical meters. The device combines exceptional performance and easy installation for a cost-effective energy monitoring solution.

The VerifEye Series 4000 Industrial ModBus Meter Kits are available in standalone DIN Rail Mount or NEMA 4X Enclosure, 3-phase, advanced communication meter kits with split core or flexible rope-style Rogowski Current Transformers (CTs) for compact or irregular shaped conductors. Combinations of serial communication, pulse output and phase alarms are provided to suit a wide variety of applications.

## Applications

Use the VerifEye Series 4000 Industrial ModBus Meter Kits in commercial, institutional, industrial and government applications for:

- Energy monitoring for AMR/BAS/BMS/EMS systems
- Tenant cost allocation
- Energy conservation and cost reduction
- Green building initiatives and government mandates
- Measurement and verification
- Load profiling and benchmarking

## Features

- Industrial temperature range: -22 to 158°F (-30 to 70°C)
- 50/60 Hz
- 90-600V versatility including 347V (L-N) and 600V (L-L)
- Resettable kWh feature meets requirements for Title 24 and Seattle Energy Code
- Rogowski CT Options (50-5000A)
- DIN rail mount
- Five year warranty

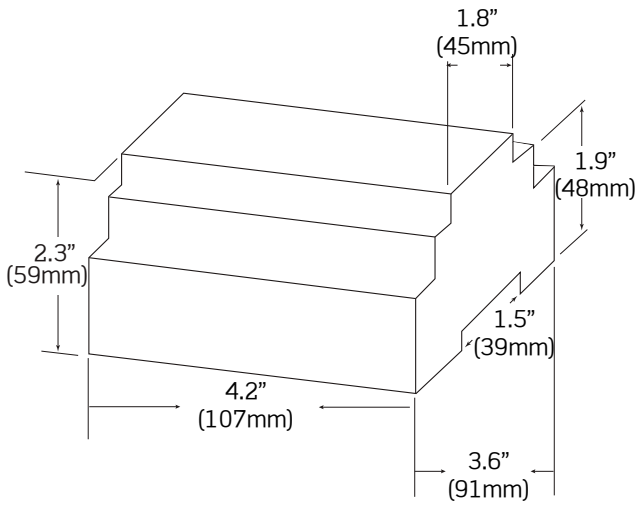
## Features (cont'd)

- DIN Rail mount for easy installation
- Optional outdoor NEMA 4X enclosure
- Options for 100, 200, 400, and 800A split core CTs and 12", 18", and 24" Rogowski CTs (50-5000A)
- ANSI 12.20 0.2% accuracy, IEC 62053-22 Class 0.5S
- Real energy output and phase loss alarm output
- 90-600VA versatility with fewer models to stock
- One device serves a variety of applications
- User-enabled password protection to protect meter from tampering
- Bright, backlit LCD for installation in dark areas and viewing real time data
- System integration via ModBus RTU-RS-485 2-wire with shield
- CSI approved for California Solar Initiative
- cULus rated
- CE compliant

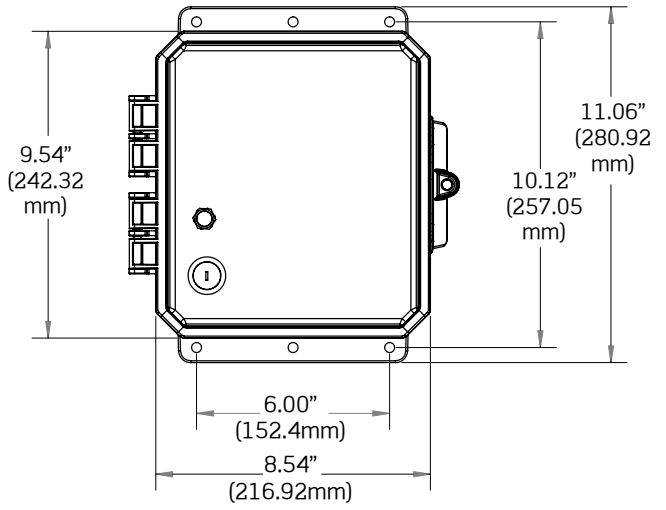
## Features

- kW
- kVA and kVAR
- Power factor: 3 phase average & per phase
- Present power demand: Real (kW), reactive (kVAR) and apparent (kVA)
- Current (3-phase average and per phase)
- Voltage L-L and L-N
- Frequency
- ANSI C12.20 0.2% accuracy, IEC 62053-22 Class 0.5S
- Accumulated net energy: real (kWh), reactive (kVARh), and apparent (kVAh)
- Accumulated real energy by phase (kWh)
- Demand interval configuration: fixed or rolling block, external sync to communication

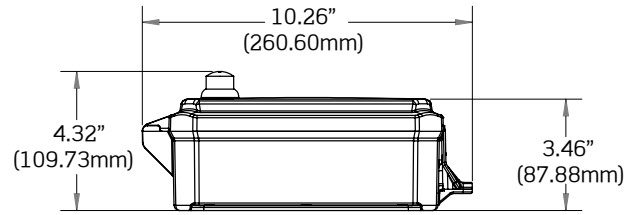
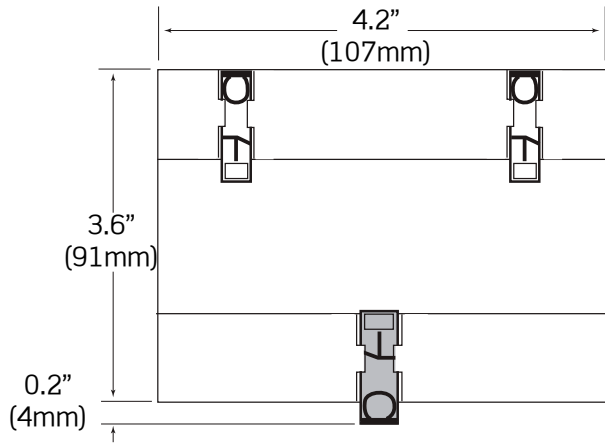
### Dimensions - DIN Rail



### Dimensions - Outdoor Enclosure



### Mounting Diagram



**Specifications**

Inputs	
Control Power, AC	50/60 Hz, 5VA max, 90V min UL Maximums: 600V L-L (347V L-N), CE Maximum: 300V L-N
Control Power, DC	3W max, UL and CE: 125 to 300VDC (external DC current limiting required)
Input Voltage	UL: 90V L-N to 600V L-L CE: 90V L-N to 300V L-N
Input Current Scaling	5A to 32,000A
Input Range	0 to 0.333V or 0 to 1V (selectable) CTs must be rated for use with Class 1 voltage inputs <b>Split Core CTs:</b> 100, 200, 400, 800A <b>Rogowski CTs:</b> (50-5000A) 12", 18", and 24" lengths available
Outputs	
Real Energy Pulse	N.O. static
Alarm Contacts	N.C. static
Serial Port	RS-485 2-wire ModBus RTU (1200 baud to 38.4 kbaud)
Mechanical	
Mounting	DIN rail or NEMA 4X outdoor enclosures
Environmental	
Altitude	9843ft <3000m) maximum
Operating Temperature	-22 to 158°F (-30 to 70°C)
Storage Temperature	-40 to 185°F (-40 to 85°C)
Operating Humidity	<95% to RH non-condensing
Pollution	Degree 2
Codes & Standards	
Safety	UL508 (Open Type Device), cUL, EN61010-1
Accuracy & Billing	ANSI/C12.20 0.2 Class
Listings	CE compliant, CSI approval for California Solar Initiative, cULus rated

**Ordering Key**



O - Outdoor  
K - DIN Rail

MR - ModBus

01M - 100A Split Core  
02M - 200A Split Core  
04M - 400A Split Core  
08M - 800A Split Core  
R12 - 12" Rogowski  
R18 - 18" Rogowski  
R24 - 24" Rogowski

**Ordering Information**

<b>Indoor DIN Rail Mount</b>			
<b>Cat. No.</b>	<b>Voltage</b>	<b>AMPS</b>	<b>CTs Included</b>
4KUMR-01M	Universal 3PH 3W/4W	100	Split Core CTs
4KUMR-02M	Universal 3PH 3W/4W	200	Split Core CTs
4KUMR-04M	Universal 3PH 3W/4W	400	Split Core CTs
4KUMR-08M	Universal 3PH 3W/4W	800	Split Core CTs
4KUMR-R12	Universal 3PH 3W/4W	50-5000	12" Rogowski Coil CTs
4KUMR-R18	Universal 3PH 3W/4W	50-5000	18" Rogowski Coil CTs
4KUMR-R24	Universal 3PH 3W/4W	50-5000	24" Rogowski Coil CTs
<b>Indoor DIN Rail Mount - Standalone Meters Only</b>			
<b>Cat. No.</b>	<b>Voltage</b>	<b>AMPS</b>	<b>CTs Included</b>
4KUMR-00M	Universal 3PH 3W/4W	100, 200, 400, 800	Split Core CTs Only
4KUMR-00R	Universal 3PH 3W/4W	50-5000	Rogowski Coil CTs Only
<b>Outdoor NEMA Enclosure</b>			
<b>Cat. No.</b>	<b>Voltage</b>	<b>AMPS</b>	<b>CTs Included</b>
4OUMR-01M	Universal 3PH 3W/4W	100	Split Core CTs
4OUMR-02M	Universal 3PH 3W/4W	200	Split Core CTs
4OUMR-04M	Universal 3PH 3W/4W	400	Split Core CTs
4OUMR-08M	Universal 3PH 3W/4W	800	Split Core CTs
4OUMR-R12	Universal 3PH 3W/4W	50-5000	12" Rogowski Coil CTs
4OUMR-R18	Universal 3PH 3W/4W	50-5000	18" Rogowski Coil CTs
4OUMR-R24	Universal 3PH 3W/4W	50-5000	24" Rogowski Coil CTs
<b>Outdoor NEMA Enclosure</b>			
<b>Cat. No.</b>	<b>Description</b>	<b>AMPS</b>	
CTV01-KD0	Split Core CTs	100	
CTV02-KD0	Split Core CTs	200	
CTV04-KD1	Split Core CTs	400	
CTV08-KG1	Split Core CTs	800	
CTV00-FK3	Fuse Pack, 1/2A, 600VAC, slow blow	-	
CRV50-K62	12" Rogowski Coil CTs	50-5000	
CRV50-K93	18" Rogowski Coil CTs	50-5000	
CRV50-KC2	24" Rogowski Coil CTs	50-5000	

**Leviton Manufacturing Co., Inc. Lighting & Controls**

10385 SW Avery Street, Tualatin, OR 97062 **tel** 800-736-6682 **tech line** (6:00AM-4:00PM PT Mon-Fri) 800-959-6004

**Leviton Manufacturing Co., Inc. Global Headquarters**

201 North Service Road, Melville, NY 11747-3138 **tel** 800-323-8920 **tech line** (8:00AM-10:00PM ET Mon-Fri, 9:00AM-7:00PM ET Sat, 9:00AM-5:00PM ET Sun) 800-824-3005

Visit our Website at: [www.leviton.com/productpage](http://www.leviton.com/productpage)

©2023 Leviton Manufacturing Co., Inc. All rights reserved. Subject to change without notice.