

1223-2E

20 Amp, 120/277 Volt, Toggle 3-Way AC Quiet Switch, Extra Heavy Duty Spec Grade, Self Grounding, Back & Side Wired - BLACK

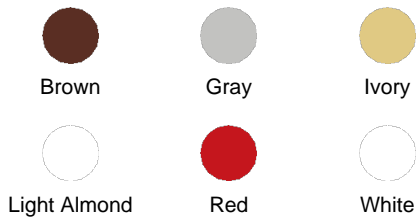
Leviton's Industrial Grade AC toggle switches for extra heavy-duty applications represent top-of-the-line quality and peak performance. Leviton uses the finest materials available and the highest production standards to produce industrial switches of unmatched versatility and reliability.



UPC Code : 078477223512

Country Of Origin : United States

Available Colors :



Technical Information

AC Horsepower Ratings

HP Rating : 1HP-120V 2HP-240V-277V

Max. Amperage : 16 Amp

Electrical Specifications

Amperage : 20 A

Dielectric Voltage : Withstands 1500V for 1 minute

Endurance : 50,000 cycles minimum

Grounding : Self-Grounding

Overload UL20 Test : 100 cycles of OL at 4.8 times rated current

Temperature Rise : Maximum 30 degrees C rise

Voltage : 120/277 VAC

Environmental Specifications

Flammability : Rated V-2 per UL 94

Operating Temperature : -40°C to 65°C

Material Specifications

Base Material : Thermoplastic

Color : Ebony

Contact Material : Silver Alloy

Cover Material : Thermoplastic

Ground Clips : Brass

Grounding Screw : Brass 8-32

Strap Material : Steel

Terminal Screws : Brass 8-32

Toggle : Polycarbonate

Mechanical Specifications

Product ID : Ratings are permanently marked on device

Terminal Accom. : 14-#10 AWG back wired; #14-#12 AWG side wired

Terminal ID : Brass-Hot Black-Hot White-Neutral Green-Gnd

Termination : Back or Side Wire

Torque Range : 12-14 inch pounds

Product Features

Body Material : Thermoplastic

Color : Ebony

Device Type : Toggle Switch

Function : 3-Way

Grade : Extra Heavy-Duty Industrial Specification Grade

Grounding : Self-Grounding

HP Rating : 1HP-120V 2HP-240V-277V

Strap Material : Steel

Voltage : 120/277 VAC

Standards and Certifications

ANSI : C-73

CSA C22.2 No. 111 : File #152105

NEMA : WD-1 & WD-6

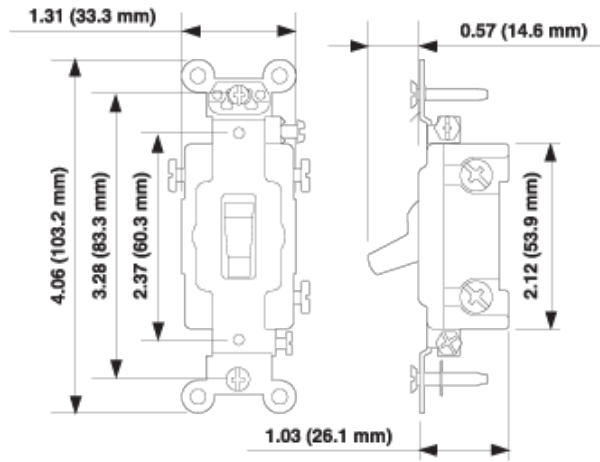
NOM : 057

RoHS : Compliant

UL Fed Spec WS896E : File #E7458

UL Standard : UL 20

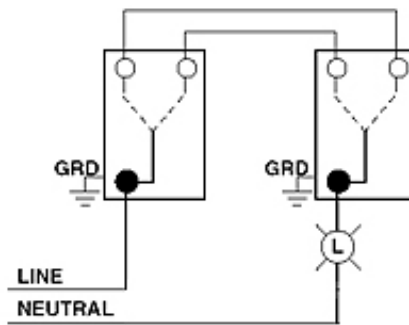
Warranty : 10-Year Limited



3-WAY

Wiring Diagram

3-Way to 3-Way



SPECIFICATION SUBMITTAL

JOB NAME:	CATALOG NUMBERS:	
<input type="text"/>	<input type="text"/>	<input type="text"/>
JOB NUMBER:	<input type="text"/>	<input type="text"/>

Leviton Manufacturing Co., Inc.

201 North Service Road, Melville, NY 11747

Telephone: +1-800-323-8920 · FAX: +1-800-832-9538 · Tech Line (8:30AM-7:30PM E.S.T. Monday-Friday):

+1-800-824-3005

Leviton Manufacturing of Canada, Ltd.

165 Hymus Boulevard, Pointe Claire, Quebec H9R 1E9 · Telephone: +1-800-469-7890 ·

FAX: +1-800-824-3005 · www.leviton.com/canada

Leviton S. de R.L. de C.V.

Lago Tana 43, Mexico DF, Mexico CP 11290 · Tel.: (+52)55-5082-1040 · FAX: (+52)5386-

1797 · www.leviton.com.mx

Visit our Website at: www.leviton.com

© 2018 Leviton Manufacturing Co., Inc. All Rights Reserved. Subject to change without notice.

Leviton has a global presence.

If you would like to know where your local Leviton office is located please go to:

www.leviton.com/international/contacts/

