

# PRODUCT INFORMATION PACKET



Model No: M1135042.00  
Catalog No: M1135042.00  
Right Angle Gearmotor, 0.25 HP, 90 V, 62 RPM, 34 Frame, TENV



Regal and LEESON are trademarks of Regal Rexnord Corporation or one of its affiliated companies.  
©2025 Regal Rexnord Corporation, All Rights Reserved. MC017097E





**Nameplate Specifications**

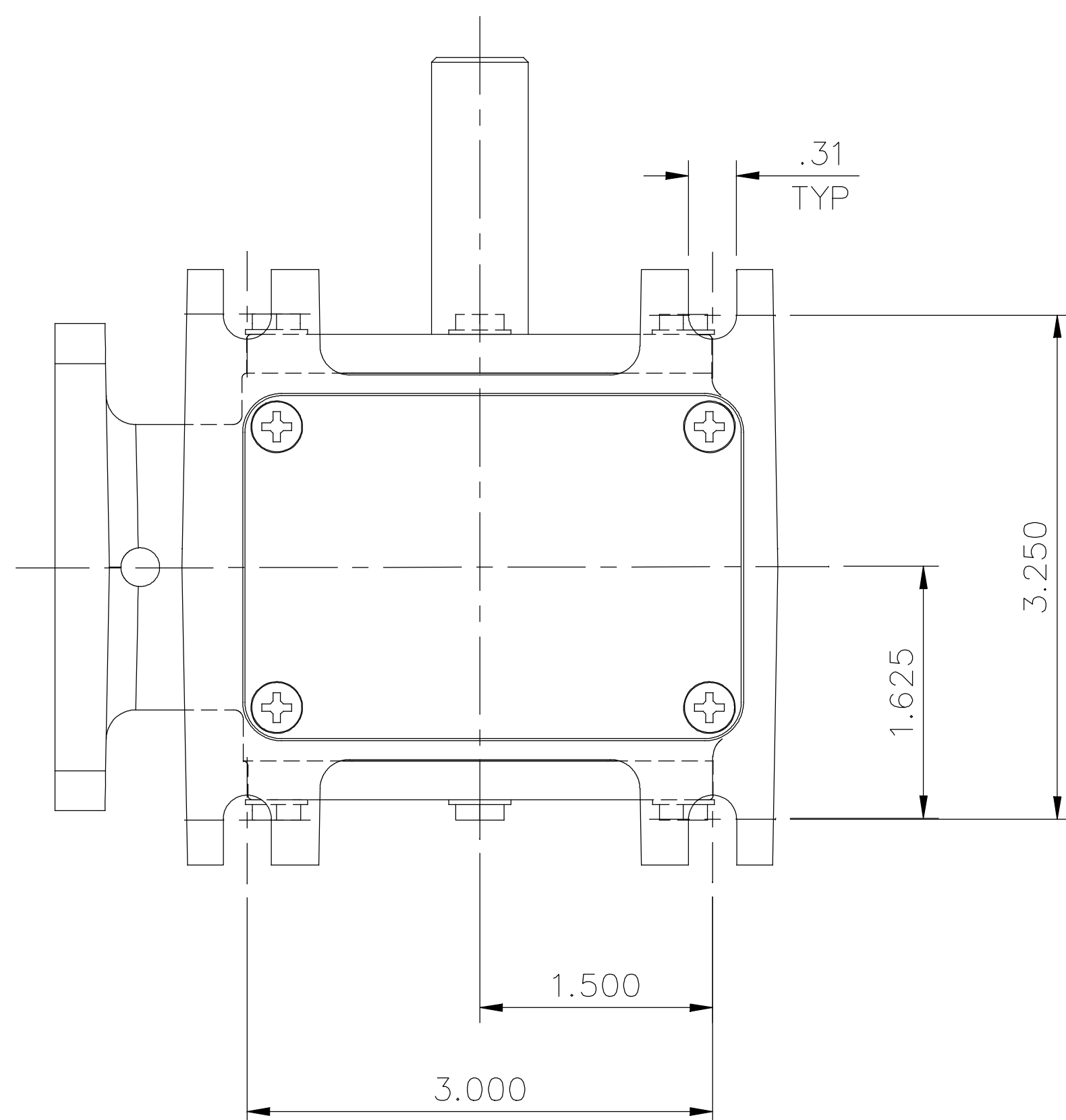
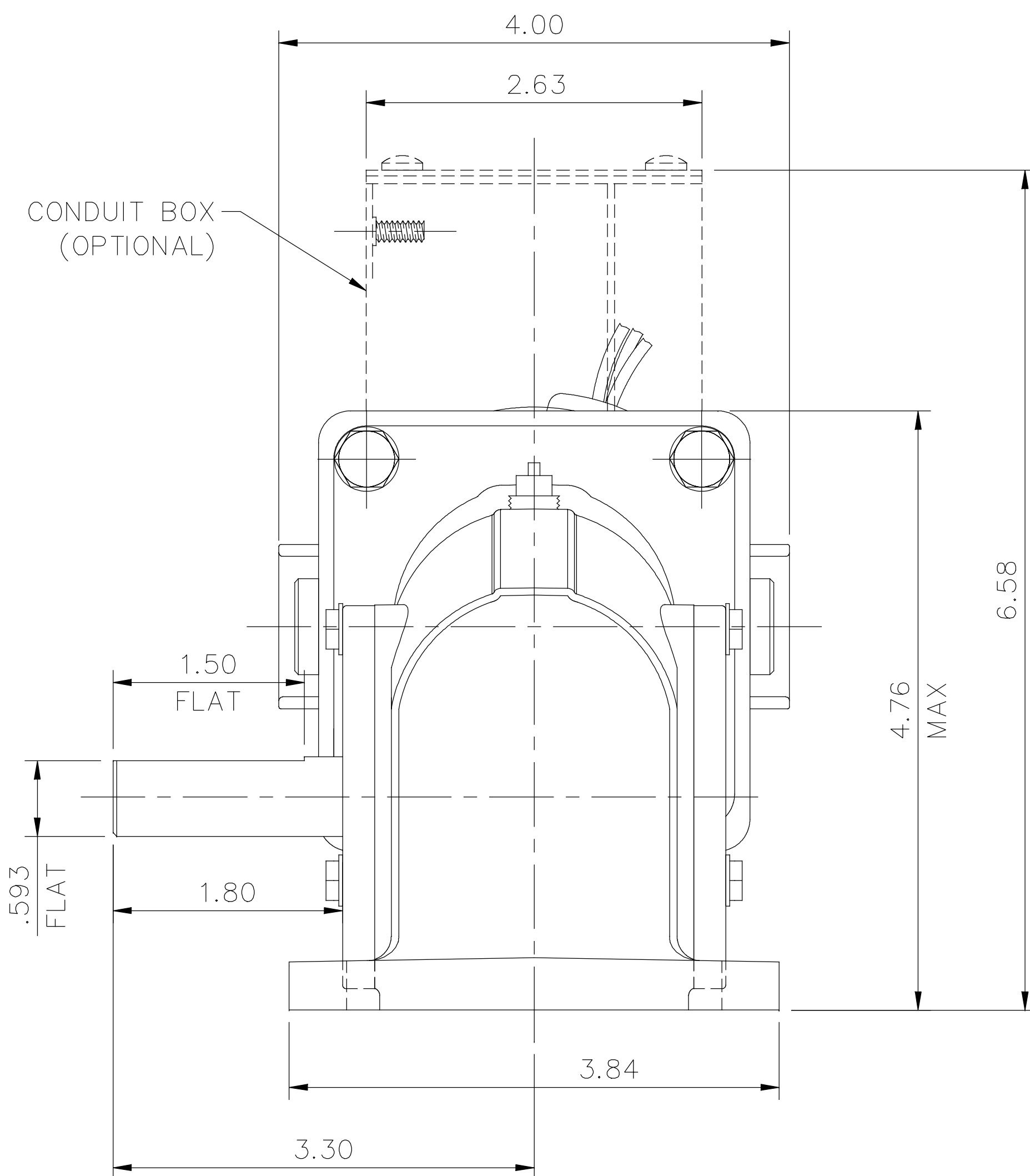
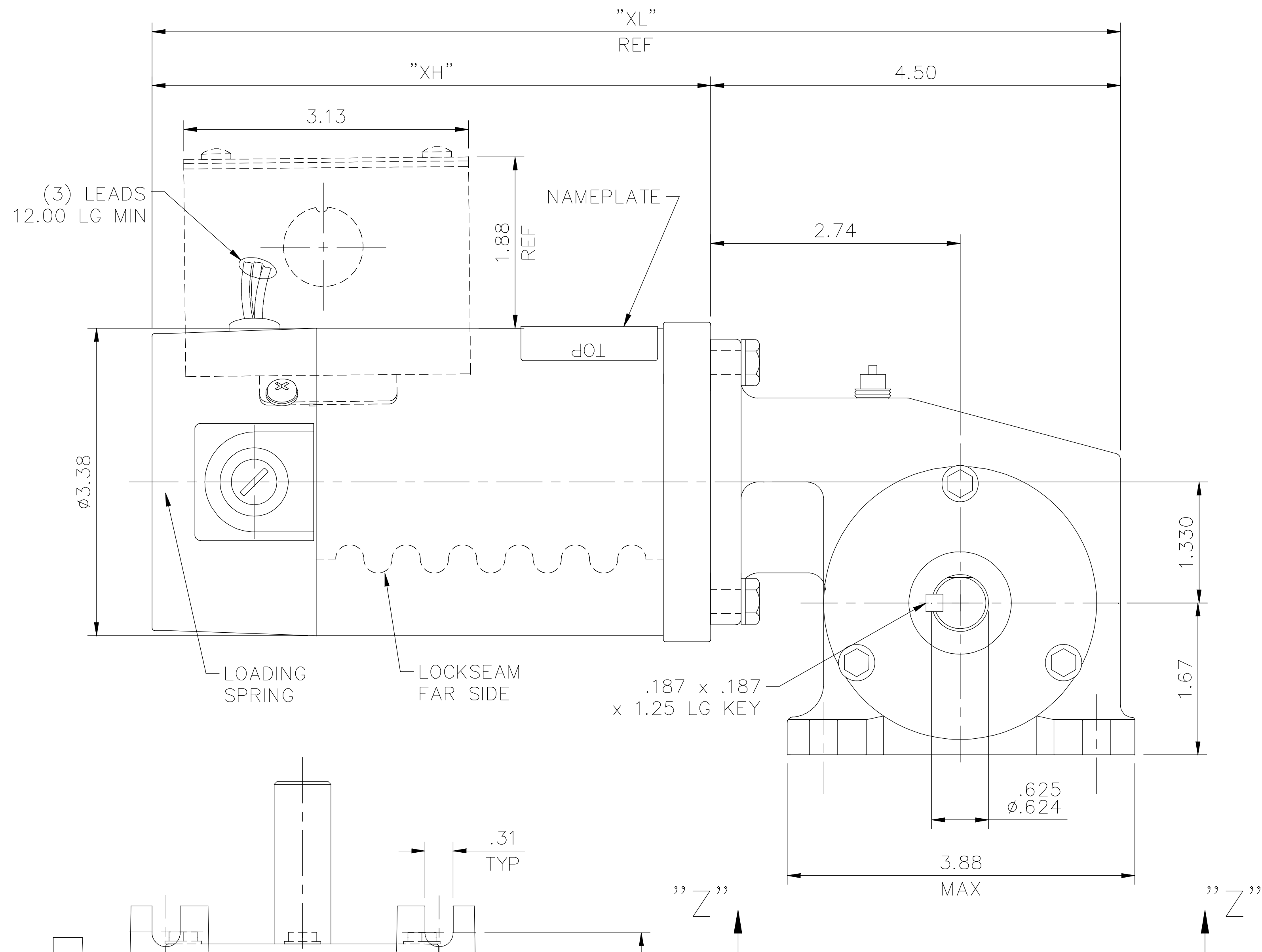
Output HP	0.25 Hp	Output KW	0.19 kW
Voltage	90 V	Speed	62 rpm
Service Factor	1.0	Frame	34
Enclosure	Totally Enclosed Non Ventiladed	Thermal Protection	No Protection
Efficiency	30.2 %	Ambient Temperature	40 °C
Current	2.3 A	Duty	Continuous
Insulation Class	H	Drive End Bearing Size	6201
Opp Drive End Bearing Size	6201	UL	Recognized
CSA	Y	CE	Y

**Technical Specifications**

Rotation	Reversible	Mounting	Special
Shaft Type	Right Angle	Overall Length	12.64 in
Frame Length	5.81 in	Shaft Diameter	0.625 in
Shaft Extension	1.8 in	Torque	135 LB-IN
Outline Drawing	M1030350-M1135042	Connection Drawing	M100512401

This is an uncontrolled document once printed or downloaded and is subject to change without notice. Date Created:04/08/2025

M1030350

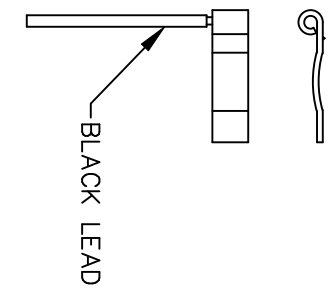
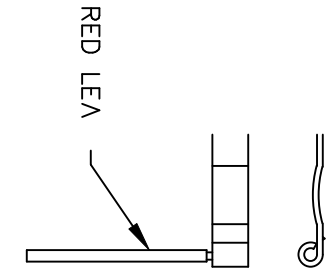
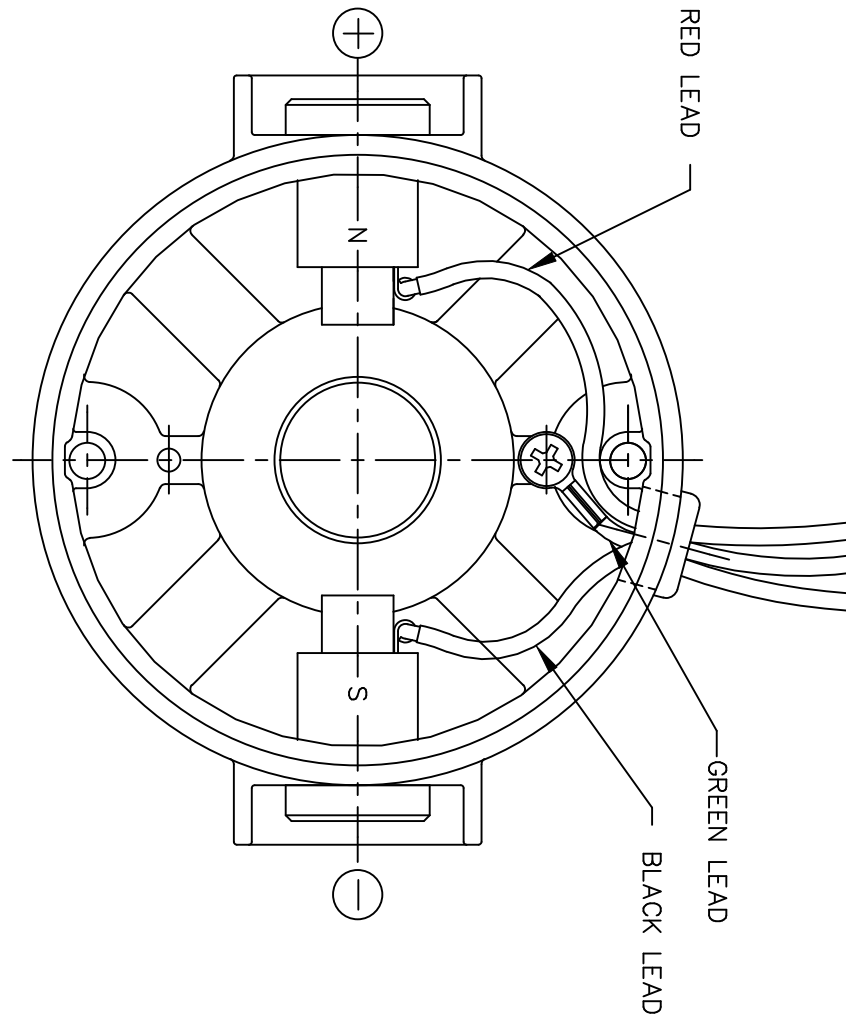


VIEW Z-Z

CATALOG NUMBER	SPEED RANGE RPM	FULL LOAD TORQUE LB.-IN.	INPUT HP	OVERHUNG LOAD LBS.	GEARMOTOR TYPE & FRAME	RATIO TO 1	"XH"	"XL"
M1135046.00	500-8	30	1/4	235	13F05-34G	5	8.14	12.64
M1135045.00	250-4	50	1/4	235	13F10-34G	10	8.14	12.64
M1135044.00	125-2.1	90	1/4	235	13F20-34G	20	8.14	12.64
M1135043.00	83-1.4	125	1/4	235	13F30-34G	30	8.14	12.64
M1135042.00	62-1	135	1/4	235	13F40-34G	40	8.14	12.64

		TOLERANCES UNLESS SPECIFIED		ELECTRIC MOTORS GEARMOTORS AND DRIVES		DRAWN DWF 11/30/93	
		DEC.	INCHES			CHK	
		.X	±.1	APPD		SCALE 5=8	
		.XX	±.03	TITLE		REF M1135049.99	
		.XXX	±.005	OUTLINE 34 FRAME DC 13 SERIES 90V GEARMOTOR		FMF M1135046.00	
Y	REMOVED 1/8 HP RATINGS FROM TABLE, ECO-0173505	IPG	9/13/19	.XXXX	±.0005	PREV	
NO.	REVISION	BY & DATE	CHK	ANG	±1/2'	FINISH LEESON	
THIS DRAWING IN DESIGN AND DETAIL IS OUR PROPERTY AND MUST NOT BE USED EXCEPT IN CONNECTION WITH OUR WORK ALL RIGHTS OF DESIGN AND INVENTION ARE RESERVED THIS IS AN ELECTRONICALLY GENERATED DOCUMENT - DO NOT SCALE THIS PRINT			RFP	CAD FILE M1030350		SIZE	DRAWING NO.
			DIST			B	M1030350
						REV.	Y

D.C. MOTORS



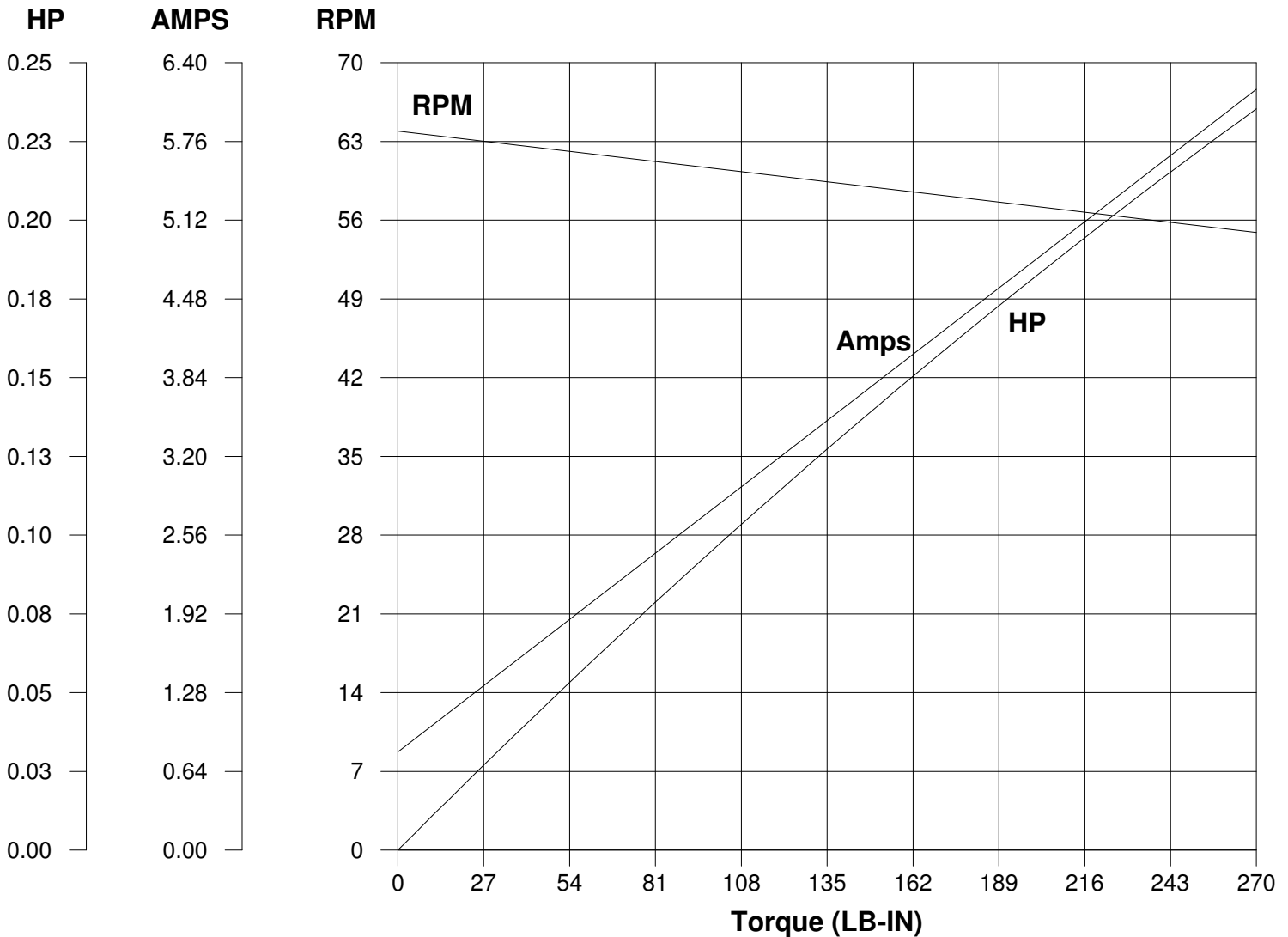
EXTERNAL CONNECTIONS FOR CW ROTATION  
 VIEWING LEAD END OF MOTOR WITH RED LEAD  
 POSITIVE AND BLACK LEAD NEGATIVE (-)  
 FOR CCW ROTATION REVERSE POLARITY

07	CORRECTED "N" & "S", ECR 80000 (PER BC)	VS	8/14/02	BC	TOLERANCES UNLESS SPECIFIED			ELECTRIC MOTORS GEARMOTORS AND DRIVES	DRAWN	SPV	12/10/91
06	REMOVED GROUND HOLE	TMZ	3/16/95	DEC.	INCHES				CHK	DWF	5/20/92
05	REVERSE ROTATION WAS CW	SPV	6/3/94	.X	±.1		TITLE	CONNECTION DIAGRAM	APPD		
04	CHANGED ROTATION FROM CCW TO CW	MJS	3/9/93	.XX	±.01				SCALE	1=1	
03	REVISED ROTATION NOTE	DWF	1/6/93	.XXX	±.005		MAT'L.		REF		
02	ADDED GREEN LEAD	DWF	8/1/92	.XXXX	±.0005				FINISH	FMF	M9131D2N22
NO.	REVISION	BY & DATE	CHK	ANG	±1/2"		FINISH	PREV			
THIS DRAWING IN DESIGN AND DETAIL IS OUR PROPERTY AND MUST NOT BE USED EXCEPT IN CONNECTION WITH OUR WORK ALL RIGHTS OF DESIGN AND INVENTION ARE RESERVED THIS IS AN ELECTRONICALLY GENERATED DOCUMENT - DO NOT SCALE THIS PRINT				RFP	CAD FILE	M100512401	SIZE	DRAWING NO.	REV.		
				DIST			A	M1005124.01	07		

# LEESON ELECTRIC CORPORATION

## TYPICAL PERFORMANCE CURVE FOR DIRECT CURRENT PERMANENT MAGNET MOTOR

<b>Model No.</b> <u>C34D25NZ10</u>	<b>Catalog No.</b> <u>M1135042.00</u>	
<b>HP</b> <u>0.250</u>	<b>RPM</b> <u>62</u>	<b>DC Volts</b> <u>90.0</u>
<b>F.F.</b> <u>1.38</u>	<b>Encl</b> <u>TENV</u>	<b>Type</b> <u>DN</u>
<b>Max. Amb.</b> <u>40.0 Deg C</u>	<b>Insul.</b> <u>H</u>	<b>Frame</b> <u>34</u>
		<b>N.P. FLA</b> <u>2.30</u>
		<b>S.F.</b> <u>1.00</u>
		<b>Duty</b> <u>Cont</u>



**Ra** 2.0100 Ohms  
**La** 9.984 mHenrys  
**Ja** 0.6440 LB-IN<sup>2</sup>  
**Ke** 34.50 V/KRPM

**Kt** 2.916 LB-IN/AMP  
**Imax** 38.4 AMPS Allowed  
**FL Torque** 135.0 LB-IN  
**FL EFF** 30.20 %

**Winding W-** MD342145-1      **Prepared by** V. Boehlen      **Date** 11-30-2005