

# PRODUCT INFORMATION PACKET



Model No: CM31D25VZ2B

Catalog No: M1125273.00

PE350.PARALLEL..180:1.14RPM.341LBIN.1/8HP.31..TRIPLE.WASHGUARD.12V.DC.TENV.CM31D25VZ2B  
PE350 Series



Regal and Leeson are trademarks of Regal Beloit Corporation or one of its affiliated companies.

©2018 Regal Beloit Corporation, All Rights Reserved. MC017097E





### Nameplate Specifications

|                            |  |                        |                   |
|----------------------------|--|------------------------|-------------------|
| Output HP                  | <b>0.13 Hp</b>                         | Output KW              | <b>0.10 kW</b>    |
| Voltage                    | <b>12 V</b>                            | Current                | <b>12.0 A</b>     |
| Speed                      | <b>14 rpm</b>                          | Service Factor         | <b>1</b>          |
| Efficiency                 | <b>44.1 %</b>                          | Duty                   | <b>Continuous</b> |
| Insulation Class           | <b>F</b>                               | Frame                  | <b>31</b>         |
| Enclosure                  | <b>Totally Enclosed Non Ventilated</b> | Overload Protector     | <b>No</b>         |
| Ambient Temperature        | <b>40 °C</b>                           | Drive End Bearing Size | <b>6201</b>       |
| Opp Drive End Bearing Size | <b>6201</b>                            | UL                     | <b>Recognized</b> |
| CSA                        | <b>Y</b>                               | CE                     | <b>N</b>          |

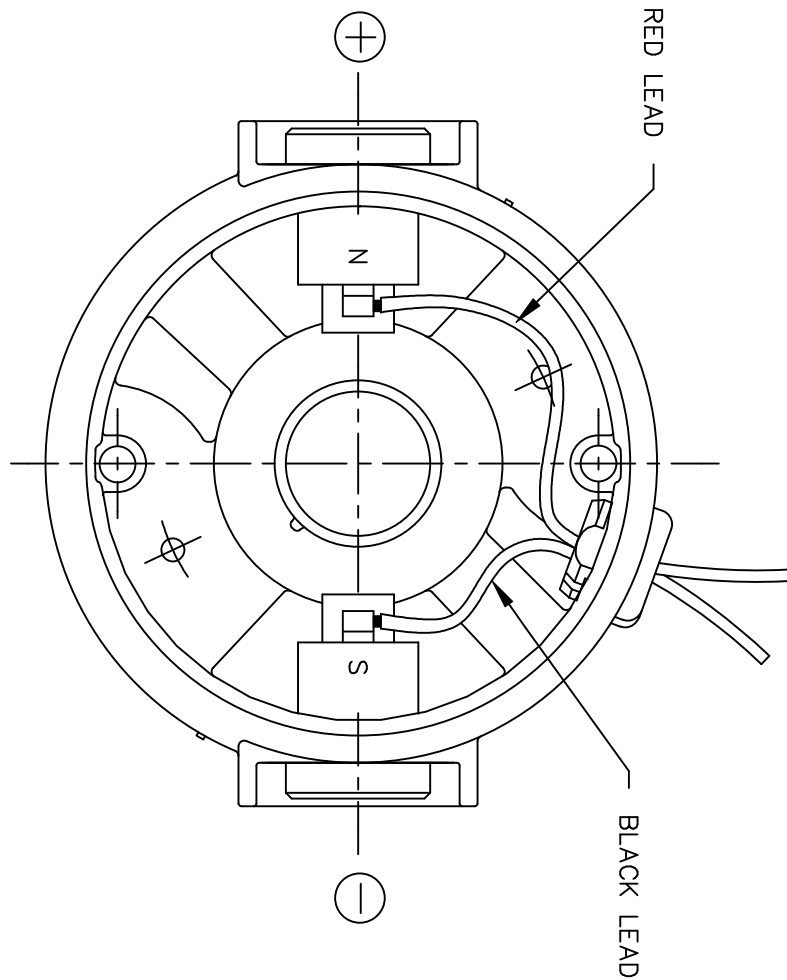
### Technical Specifications

|                 |                          |                    |                   |
|-----------------|--------------------------|--------------------|-------------------|
| Rotation        | <b>Reversible</b>        | Mounting           | <b>Special</b>    |
| Shaft Type      | <b>Parallel</b>          | Overall Length     | <b>11.84 in</b>   |
| Frame Length    | <b>4.44 in</b>           | Shaft Diameter     | <b>0.750 in</b>   |
| Shaft Extension | <b>1.63 in</b>           |                    |                   |
| Outline Drawing | <b>M1030993-M1125273</b> | Connection Diagram | <b>M100530901</b> |

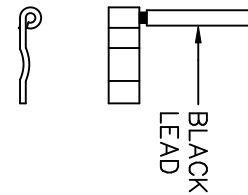
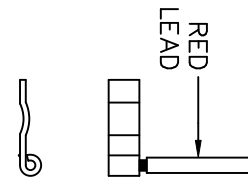
This is an uncontrolled document once printed or downloaded and is subject to change without notice. Date Created: 10/15/2018




D.C. MOTORS



EXTERNAL CONNECTIONS FOR CW ROTATION  
 VIEWING LEAD END OF MOTOR WITH RED LEAD  
 POSITIVE (+) AND BLACK LEAD NEGATIVE (-)  
 FOR CCW ROTATION REVERSE POLARITY



|  |                            |           |        |                             |              |   |            |                    |      |             |      |
|--|----------------------------|-----------|--------|-----------------------------|--------------|---|------------|--------------------|------|-------------|------|
|  |                            |           |        | TOLERANCES UNLESS SPECIFIED |              |  ELECTRIC MOTORS<br>GEARMOTORS<br>AND DRIVES | DRAWN      | IPG 5/2/05         |      |             |      |
|  |                            |           |        | DEC.                        | INCHES       |   | CHK        | SAD 5/2/05         |      |             |      |
|  |                            |           |        | .X                          | ±.1          |   | APPD       |                    |      |             |      |
|  |                            |           |        | .XX                         | ±.01         |   | TITLE      | CONNECTION DIAGRAM |      |             |      |
|  |                            |           |        | .XXX                        | ±.005        |   | SCALE      | 1=1                |      |             |      |
| 00   | RELEASED: REF. M1005308.01 | IPG       | 5/2/05 | SAD                         | .XXXX ±.0005 | MAT'L.  | REF        | M1005308.01        |      |             |      |
| NO.  | REVISION                   | BY & DATE | CHK    | ANG                         | ±1/2"        | FINISH  | FMF        | M1125275.00        |      |             |      |
| THIS DRAWING IN DESIGN AND DETAIL IS OUR PROPERTY AND MUST NOT BE USED EXCEPT IN CONNECTION WITH OUR WORK ALL RIGHTS OF DESIGN AND INVENTION ARE RESERVED THIS IS AN ELECTRONICALLY GENERATED DOCUMENT - DO NOT SCALE THIS PRINT |                            |           |        | RFP                         |              | CAD FILE  | M100530901 |                    | SIZE | DRAWING NO. | REV. |
|  |                            |           |        | DIST                        |              |   |            |                    | A    | M1005309.01 | 00   |