

PRODUCT INFORMATION PACKET



Model No: LM33565
Catalog No: LM33565
5 HP General Purpose Motor, 3 phase, 3600 RPM, 230/460 V, 184T Frame, TEFC
Three Phase TEFC Motors



Regal and Leeson are trademarks of Regal Beloit Corporation or one of its affiliated companies.
©2019 Regal Beloit Corporation, All Rights Reserved. MC017097E





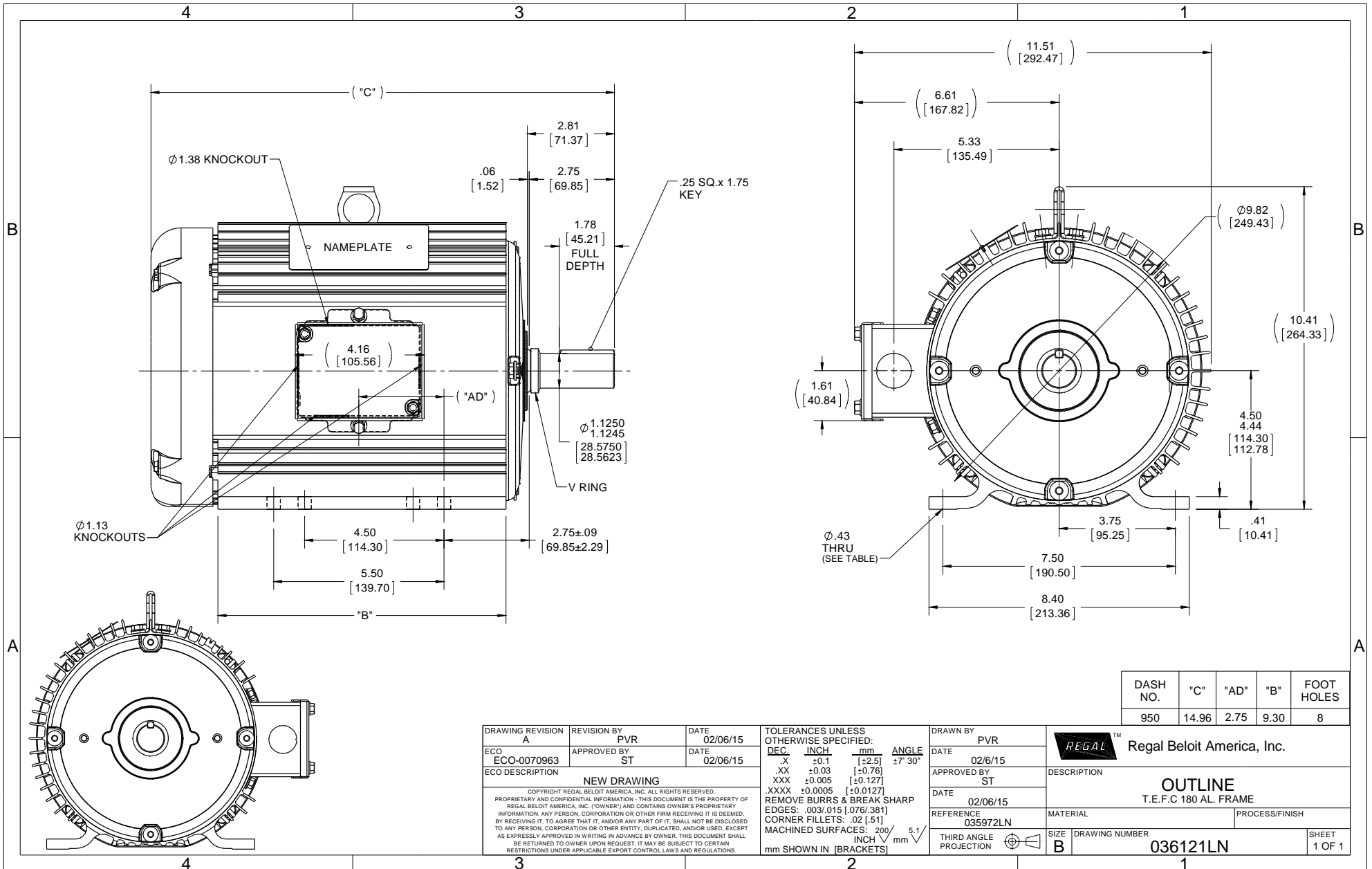
Nameplate Specifications

Output HP	5 Hp	Output KW	3.7 kW
Frequency	60 Hz	Voltage	230/460 V
Current	12.0/6.0 A	Speed	3495 rpm
Service Factor	1.15	Phase	3
Efficiency	88.5 %	Power Factor	89.5
Duty	Continuous	Insulation Class	F
Design Code	B	KVA Code	J
Frame	184T	Enclosure	Totally Enclosed Fan Cooled
Thermal Protection	No	Ambient Temperature	40 °C
Drive End Bearing Size	6206	Opp Drive End Bearing Size	6205
UL	Recognized	CSA	Y
CE	Y	IP Code	43

Technical Specifications

Electrical Type	Squirrel Cage Induction Run	Starting Method	Across The Line
Poles	2	Rotation	Reversible
Resistance Main	2.32 Ohms	Mounting	Rigid base
Motor Orientation	Horizontal	Drive End Bearing	Ball
Opp Drive End Bearing	Ball	Frame Material	Aluminum
Shaft Type	T	Overall Length	14.96 in
Frame Length	9.50 in	Shaft Diameter	1.125 in
Shaft Extension	2.75 in	Assembly/Box Mounting	F1/F2 CAPABLE

This is an uncontrolled document once printed or downloaded and is subject to change without notice. Date Created:01/11/2019



DASH NO.	"C"	"AD"	"B"	FOOT HOLES
950	14.96	2.75	9.30	8

DRAWING REVISION A	REVISION BY PVR	DATE 02/06/15	TOLERANCES UNLESS OTHERWISE SPECIFIED: DEC. INCH mm ANGLE .X ±0.1 [±2.5] ±7° 30' .XX ±0.03 [±0.76] .XXX ±0.005 [±0.127] .XXXX ±0.0005 [±0.0127] REMOVE BURRS & BREAK SHARP EDGES: .003/.015 [076/381] CORNER FILLETS: .02 [51] MACHINED SURFACES: 200/ 5.1 INCH mm	DRAWN BY PVR	DATE 02/06/15	Regal Beloit America, Inc.
ECO ECO-0070963	APPROVED BY ST	DATE 02/06/15	APPROVED BY ST	DATE 02/06/15	DESCRIPTION OUTLINE T.E.F.C 180 AL. FRAME	
ECO DESCRIPTION NEW DRAWING			REFERENCE 035972LN	THIRD ANGLE PROJECTION	MATERIAL	PROCESS/FINISH
COPYRIGHT REGAL BELOIT AMERICA, INC. ALL RIGHTS RESERVED. PROPRIETARY AND CONFIDENTIAL INFORMATION - THIS DOCUMENT IS THE PROPERTY OF REGAL BELOIT AMERICA, INC. ("OWNER") AND CONTAINS OWNER'S PROPRIETARY INFORMATION. ANY PERSON, CORPORATION OR OTHER FIRM RECEIVING IT IS DEEMED, BY RECEIVING IT, TO AGREE THAT IT, AND/OR ANY PART OF IT, SHALL NOT BE DISCLOSED TO ANY PERSON, CORPORATION OR OTHER ENTITY, DUPLICATED, AND/OR USED, EXCEPT AS EXPRESSLY APPROVED IN WRITING IN ADVANCE BY OWNER. THIS DOCUMENT SHALL BE RETURNED TO OWNER UPON REQUEST. IT MAY BE SUBJECT TO CERTAIN RESTRICTIONS UNDER APPLICABLE EXPORT CONTROL LAWS AND REGULATIONS.			SIZE B	DRAWING NUMBER 036121LN	SHEET 1 OF 1	

Data Sheet

Date: 9/11/2018

LM33565



Data @ 460 V

Motor Load Data

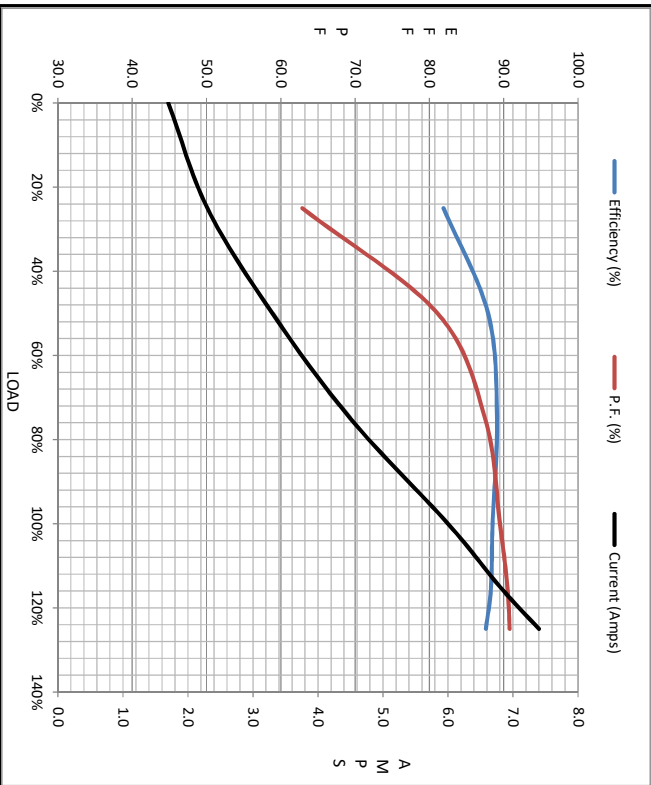
Load	0%	25%	50%	75%	100%	115%	125%	LR
Current (Amps)	1.70	2.30	3.3	4.5	6.0	6.8	7.4	46.0
Torque (ft-lb)	0.00	1.80	3.7	5.6	7.5	8.7	9.5	16.0
RPM	3600	3576	3551	3526	3495	3477	3463	0
P.F. (%)	12.5	81.9	87.9	89.1	88.5	88.3	87.6	45.5
		62.9	81.1	87.5	89.5	90.5	90.8	

Motor Speed Data

	LR	Pull-Up	BD	Rated	Idle
Speed (RPM)	0	170	2850	3495	3600
Current (Amps)	46.0	47.0	30.0	6.0	1.70
Torque (ft-lb)	16.0	15.5	26.0	7.5	0.00

Information Block

HP	5.0
Sync. RPM	3600
Frame	180
Enclosure	TEFC
Construction	TFL
Voltage	230/460#190/380
Frequency	60
Design	B
LR Code letter	J
Service Factor	1.15
Temp Rise @ FL	55 °C
Duty	CONT
Ambient	40 °C
Elevation	1,000 feet
Rotor/Shaft wk ²	0.30 Lb-Ft ²
Ref Wdg	T82103 R5
Sound Pressure @ 1M	75 dbA
VFD Rating	NONE
Outline Dwg	036121LN-950
Conn. Diag	005010.01
Additional Specifications:	
0	
0	
EQUIV CKT (OHMS / PHASE)	
R1	R2
1.3920	1.1300
X1	X2
4.8110	1.8460
Xm	
	124.9600



Speed -Torque Curve

