

PRODUCT INFORMATION PACKET



Model No: LM33564
Catalog No: LM33564
3 HP General Purpose Motor, 3 phase, 3600 RPM, 230/460 V, 182T Frame, TEFC
Three Phase TEFC Motors



Regal and Leeson are trademarks of Regal Beloit Corporation or one of its affiliated companies.
©2019 Regal Beloit Corporation, All Rights Reserved. MC017097E

The Regal logo is located in the bottom right corner. It features the word "REGAL" in a white, sans-serif font, set against a dark grey, trapezoidal background. The background of the entire page on the right side is a blue gradient with a halftone dot pattern.



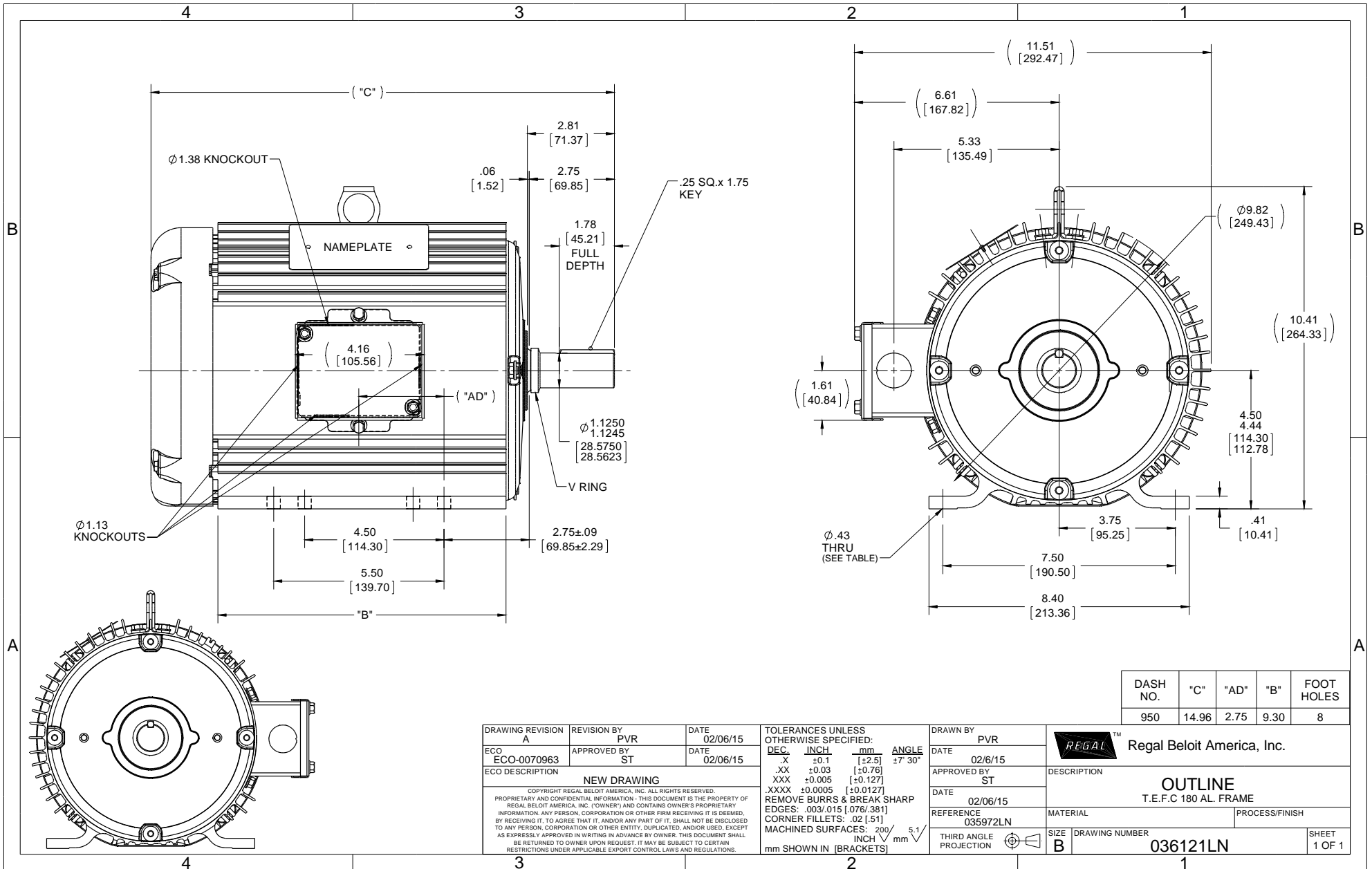
Nameplate Specifications

Output HP	3 Hp	Output KW	2.2 kW
Frequency	60 Hz	Voltage	230/460 V
Current	7.8/3.9 A	Speed	3510 rpm
Service Factor	1.25	Phase	3
Efficiency	86.5 %	Power Factor	83.7
Duty	Continuous	Insulation Class	F
Design Code	B	KVA Code	K
Frame	182T	Enclosure	Totally Enclosed Fan Cooled
Thermal Protection	No	Ambient Temperature	40 °C
Drive End Bearing Size	6206	Opp Drive End Bearing Size	6205
UL	Recognized	CSA	Y
CE	Y	IP Code	43

Technical Specifications

Electrical Type	Squirrel Cage Induction Run	Starting Method	Across The Line
Poles	2	Rotation	Reversible
Resistance Main	3.56 Ohms	Mounting	Rigid base
Motor Orientation	Horizontal	Drive End Bearing	Ball
Opp Drive End Bearing	Ball	Frame Material	Aluminum
Shaft Type	T	Overall Length	14.96 in
Frame Length	9.50 in	Shaft Diameter	1.125 in
Shaft Extension	2.75 in	Assembly/Box Mounting	F1/F2 CAPABLE

This is an uncontrolled document once printed or downloaded and is subject to change without notice. Date Created:01/11/2019



DASH NO.	"C"	"AD"	"B"	FOOT HOLES
950	14.96	2.75	9.30	8

DRAWING REVISION A	REVISION BY PVR	DATE 02/06/15	TOLERANCES UNLESS OTHERWISE SPECIFIED: DEC. INCH mm ANGLE .X ±0.1 [±2.5] ±7° 30' .XX ±0.03 [±0.76] .XXX ±0.005 [±0.127] .XXXX ±0.0005 [±0.0127] REMOVE BURRS & BREAK SHARP EDGES: .003/.015 [076/381] CORNER FILLETS: .02 [51] MACHINED SURFACES: 200/ 5.1 INCH √ mm √ mm SHOWN IN [BRACKETS]	DRAWN BY PVR	DATE 02/06/15	Regal Beloit America, Inc.
ECO ECO-0070963	APPROVED BY ST	DATE 02/06/15	APPROVED BY ST	DATE 02/06/15	DESCRIPTION OUTLINE T.E.F.C 180 AL. FRAME	
ECO DESCRIPTION NEW DRAWING			REFERENCE 035972LN		MATERIAL	PROCESS/FINISH
COPYRIGHT REGAL BELOIT AMERICA, INC. ALL RIGHTS RESERVED. PROPRIETARY AND CONFIDENTIAL INFORMATION - THIS DOCUMENT IS THE PROPERTY OF REGAL BELOIT AMERICA, INC. ("OWNER") AND CONTAINS OWNER'S PROPRIETARY INFORMATION. ANY PERSON, CORPORATION OR OTHER FIRM RECEIVING IT IS DEEMED, BY RECEIVING IT, TO AGREE THAT IT, AND/OR ANY PART OF IT, SHALL NOT BE DISCLOSED TO ANY PERSON, CORPORATION OR OTHER ENTITY, DUPLICATED, AND/OR USED, EXCEPT AS EXPRESSLY APPROVED IN WRITING IN ADVANCE BY OWNER. THIS DOCUMENT SHALL BE RETURNED TO OWNER UPON REQUEST. IT MAY BE SUBJECT TO CERTAIN RESTRICTIONS UNDER APPLICABLE EXPORT CONTROL LAWS AND REGULATIONS.			THIRD ANGLE PROJECTION		SIZE B	DRAWING NUMBER 036121LN
						SHEET 1 OF 1



1051 CHEYENNE AVE.
 GRAFTON, WI 53024
 PH. 262-277-8810

DATA VOLTS: 460

CERTIFICATION DATA SHEET

CONN. DIAGRAM: 005010.01
 OUTLINE: 036121LN-950
 WINDING: T82102

CAT #: LM33564

FV 3

TYPICAL MOTOR PERFORMANCE DATA

HP	KW	SYNC RPM	FL RPM	FRAME	ENCLOSURE	TYPE	KVA CODE	DESIGN	
3	2.2	3600	3510	182T	TEFC	TFV	K	B	
PH	HZ	VOLTS	AMPS	START TYPE	DUTY	INSL	S.F.	AMB	ELEV.
3	60/50	230/460#380-415	7.8/3.9&4.6-4.4	ACROSS THE LINE	CONT	F	1.15	40	3300

F.L. EFF	86.5	3/4 LD EFF	82.9	1/2 LD EFF	79.4	GTD EFF	83.8	ELECT. TYPE	SQ CAGE IND RUN
F.L. PF	83.7	3/4 LD PF	78.4	1/2 LD PF	67.6				

F.L. TORQUE	4.5	LB-FT	33.0	L.R. TORQUE	11.0	LB-FT	244%	B.D. TORQUE	18.2	LB-FT	404%	F.L. RISE (° C)	30
-------------	-----	-------	------	-------------	------	-------	------	-------------	------	-------	------	-----------------	----

PRESSURE @ 3	75	DBA	84	POWER	0.23	ROTOR WK²	11	MAX. LOAD WK²	15	SAFE STALL TIME	2	STARTS/HOUR	85	MOTOR WGT	LB.
--------------	----	-----	----	-------	------	-----------	----	---------------	----	-----------------	---	-------------	----	-----------	-----

*** SUPPLEMENTAL INFORMATION ***

DE BRACKET TYPE	STANDARD	ODE BRACKET TYPE	STANDARD	MOUNT TYPE	RIGID	MOTOR ORIENTATION	HORIZONTAL	SEVERE DUTY	NO	HAZARDOUS LOCATION	NONE	DRIP COVER	NO	SCREENS	NONE	PAINT	WATTS/SAVER
-----------------	----------	------------------	----------	------------	-------	-------------------	------------	-------------	----	--------------------	------	------------	----	---------	------	-------	-------------

BEARINGS	DE ODE	GREASE	POLYREX EM	SHAFT TYPE	T	SPECIAL DE	NONE	SPECIAL ODE	NONE	SHAFT MATERIAL	ASI 1045 (C-240)	FRAME MATERIAL	ALUMINUM
----------	--------	--------	------------	------------	---	------------	------	-------------	------	----------------	------------------	----------------	----------

THERMOSTATS	NONE	PROTECTORS	NOT	WDG RTD's	NONE	BRG RTD's	NONE	THERMISTORS	NONE	CONTROL	FALSE	SPACE HEATERS	NA
-------------	------	------------	-----	-----------	------	-----------	------	-------------	------	---------	-------	---------------	----

R1 (ohms/ph)	1.778	R2 (ohms/ph)	2.015	X1 (ohms/ph)	7.322	X2 (ohms/ph)	2.45	Xm (ohms/ph)	167.442	VIBRATION (in/sec)	0.150	FLOAT	ODE
--------------	-------	--------------	-------	--------------	-------	--------------	------	--------------	---------	--------------------	-------	-------	-----

* N O T E S *												
INVERTER TORQUE: NONE INV. HP SPEED RANGE: NONE												
ENCODER: NONE NONE NONE												
BRAKE: NONE NONE NONE												
FT-LB: N/A VOLTAGE: NONE NONE												
UL: V-INS, CONST UL REC												

DATE: 9/11/2018

UL: V-INS, CONST UL REC



Motor Load Data

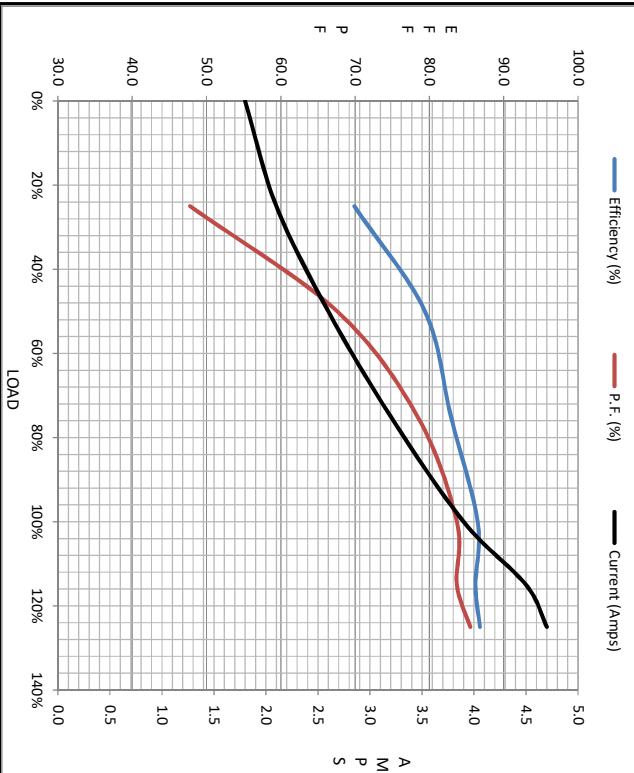
Load	0%	25%	50%	75%	100%	115%	125%	LR
Current (Amps)	1.80	2.10	2.60	3.2	3.9	4.5	4.7	33.0
Torque (ft-lb)	0.00	1.10	2.20	3.3	4.5	5.2	5.6	11.0
RPM	3600	3579	3559	3539	3510	3500	3492	0
P.F. (%)	13.9	69.9	79.4	82.9	86.5	86.2	86.8	
		47.8	67.6	78.4	83.7	83.7	85.5	49.0

Motor Speed Data

	LR	Pull-Up	BD	Rated	Idle
Speed (RPM)	0	186	2800	3510	3600
Current (Amps)	33.0	32.5	21.7	3.9	1.80
Torque (ft-lb)	11.0	11.0	18.2	4.5	0.00

Information Block

HP	3.0			
Sync. RPM	3600			
Frame	180			
Enclosure	TEFC			
Construction	TEV			
Voltage	230/460/380-415 V			
Frequency	60 Hz			
Design	B			
LR Code letter	K			
Service Factor	1.15			
Temp Rise @ FL	30 °C			
Duty	CONT			
Ambient	40 °C			
Elevation	1,000 feet			
Rotor/Shaft wk ²	0.23 Lb-Ft ²			
Ref Wdg	T82102 FV			
Sound Pressure @ 1M	75 DBA			
VFD Rating	NONE			
Outline Dwg	036121LN-950			
Conn. Diag	005010.01			
Additional Specifications:				
0				
0				
EQUIV CKT (OHMS / PHASE)				
R1	R2	X1	X2	Xm
1.7780	2.0150	7.3220	2.4500	167.4420



Speed -Torque Curve

