

# PRODUCT INFORMATION PACKET



Model No: AAF6B1.5T61AP26

Catalog No: LM33561

1.5HP..1200RPM.182T.TEFC.230/460V.3PH.60HZ.CONT.40C.1.15SF.RIGID.....

Totally Enclosed Fan Cooled (TEFC)



Regal and Leeson are trademarks of Regal Beloit Corporation or one of its affiliated companies.

©2018 Regal Beloit Corporation, All Rights Reserved. MC017097E



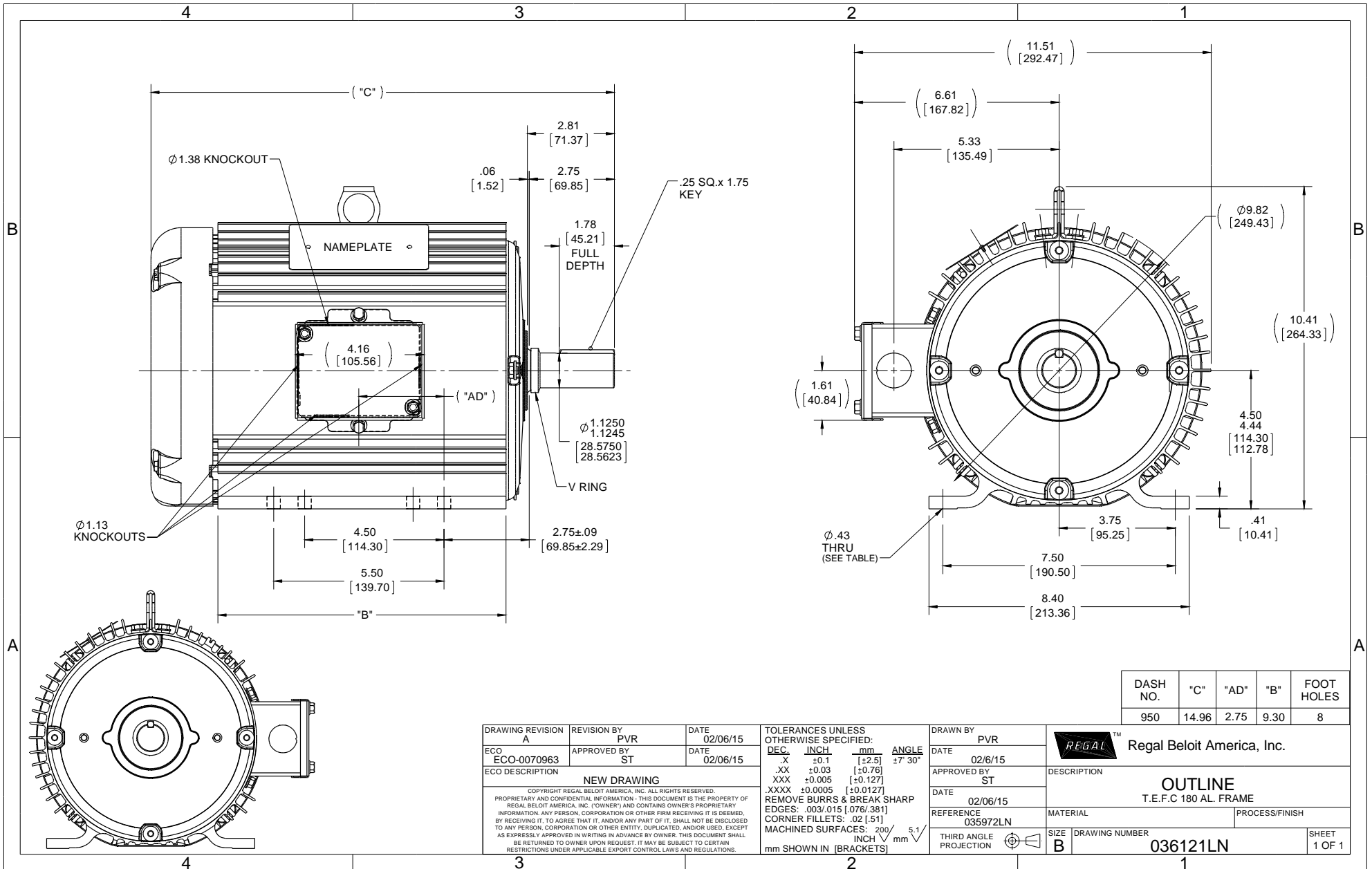


### Nameplate Specifications

Output HP	1.50 Hp	Output KW	1.1 kW
Frequency	60 Hz	Voltage	230/460 V
Current	5.2/2.6 A	Speed	1175 rpm
Service Factor	1.25	Phase	3
Efficiency	87.5 %	Duty	Continuous
Insulation Class	F	Design Code	B
KVA Code	K	Frame	182T
Enclosure	Totally Enclosed Fan Cooled	Overload Protector	No
Ambient Temperature	40 °C	Drive End Bearing Size	6206
Opp Drive End Bearing Size	6205	UL	Recognized
CSA	Y	CE	N
IP Code	43		

### Technical Specifications

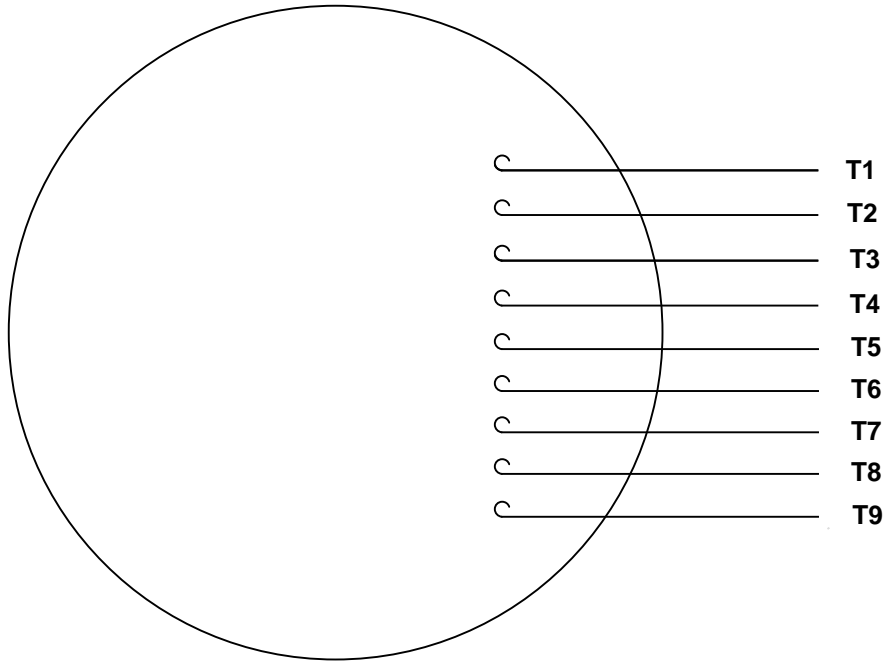
Electrical Type	Squirrel Cage Induction Run	Starting Method	Across The Line
Poles	6	Rotation	Reversible
Mounting	Rigid base	Motor Orientation	HORIZONTAL
Drive End Bearing	BALL	Opp Drive End Bearing	BALL
Frame Material	Aluminum	Shaft Type	T
Overall Length	14.96 in	Frame Length	9.50 in
Shaft Diameter	1.125 in	Shaft Extension	2.75 in
Assembly/Box Mounting	F1/F2 CAPABLE		
Outline Drawing	036121LN-950	Connection Diagram	005010.01LN



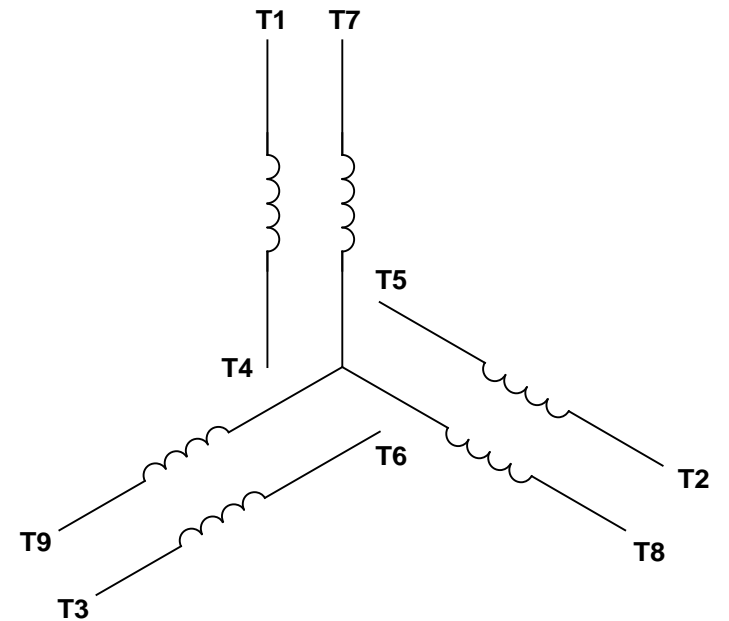
DASH NO.	"C"	"AD"	"B"	FOOT HOLES
950	14.96	2.75	9.30	8

DRAWING REVISION A	REVISION BY PVR	DATE 02/06/15	TOLERANCES UNLESS OTHERWISE SPECIFIED: DEC. INCH mm ANGLE .X ±0.1 [±2.5] 17° 30' .XX ±0.03 [±0.76] .XXX ±0.005 [±0.127] .XXX ±0.005 [±0.127] XXXX ±0.0005 [±0.0127] REMOVE BURRS & BREAK SHARP EDGES: .003/.015 [076/381] CORNER FILLETS: .02 [51] MACHINED SURFACES: 200/5.1 mm SHOWN IN [BRACKETS]	DRAWN BY PVR	DATE 02/06/15	Regal Beloit America, Inc.		
ECO ECO-0070963	APPROVED BY ST	DATE 02/06/15	APPROVED BY ST	DATE 02/06/15	DESCRIPTION <b>OUTLINE</b> T.E.F.C 180 AL. FRAME			
ECO DESCRIPTION <b>NEW DRAWING</b>			REFERENCE 035972LN			MATERIAL	PROCESS/FINISH	
COPYRIGHT REGAL BELOIT AMERICA, INC. ALL RIGHTS RESERVED. PROPRIETARY AND CONFIDENTIAL INFORMATION - THIS DOCUMENT IS THE PROPERTY OF REGAL BELOIT AMERICA, INC. ("OWNER") AND CONTAINS OWNER'S PROPRIETARY INFORMATION. ANY PERSON, CORPORATION OR OTHER FIRM RECEIVING IT IS DEEMED, BY RECEIVING IT, TO AGREE THAT IT, AND/OR ANY PART OF IT, SHALL NOT BE DISCLOSED TO ANY PERSON, CORPORATION OR OTHER ENTITY, DUPLICATED, AND/OR USED, EXCEPT AS EXPRESSLY APPROVED IN WRITING IN ADVANCE BY OWNER. THIS DOCUMENT SHALL BE RETURNED TO OWNER UPON REQUEST. IT MAY BE SUBJECT TO CERTAIN RESTRICTIONS UNDER APPLICABLE EXPORT CONTROL LAWS AND REGULATIONS.			THIRD ANGLE PROJECTION			SIZE B	DRAWING NUMBER <b>036121LN</b>	SHEET 1 OF 1

VIEW FROM OUTSIDE OF MOTOR AT SWITCH END.


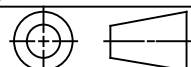


LINE LEADS



VOLTAGE	L1	L2	L3	JOIN & INSULATE
HIGH	T1	T2	T3	(T4, T7) (T5, T8) (T6, T9)
LOW	T1, T7	T2, T8	T3, T9	T4, T5, T6

RBC PROPRIETARY AND CONFIDENTIAL INFORMATION  
 This document is the property of REGAL BELOIT CORPORATION ("RBC") including its subsidiaries and divisions and contains proprietary information of RBC. This document is loaned on the express condition that neither it nor the information contained therein shall be disclosed to others without the express written consent of RBC, and that the information shall be used by the recipient only as approved expressly by RBC. This document shall be returned to RBC upon its request. This document may be subject to certain restrictions under U.S. export control laws and regulations.

		TOLERANCES UNLESS SPECIFIED				DRAWN KMM 04/16/02		
		DEC	INCHES			CHK		
		.X	±.1			APPR		
		.XX	±.01			SCALE 1:1		
			.XXX	±.005	TITLE EXTERNAL WIRING DIAGRAM 3 PHASE W/O PROTECTOR		REF FIG. 2-51	
--	REDRAWN IN SOLIDWORKS	VJB 02/08/11	.XXXX	±.0005	MAT'L DECAL - 004014		FMF	
NO	REVISION	BY & DATE	CHK	ANG ±1/2°	FINISH		PAGE OF	
THIRD ANGLE PROJECTION				RFP 04/12/02	PREV	SIZE A	DRAWING NO 005010-01LN	REV --
				NETWORK FILE NAME 00501001LN				

