

PRODUCT INFORMATION PACKET



Model No: CCD4S25/30T61YEH2

Catalog No: LM29851

30/25HP..1800RPM.284T.ODP.230/460V.3PH.60HZ.ELEVATOR.NOT.40C.1.0SF.RIGID..
Elevator Duty



Regal and Leeson are trademarks of Regal Beloit Corporation or one of its affiliated companies.

©2018 Regal Beloit Corporation, All Rights Reserved. MC017097E



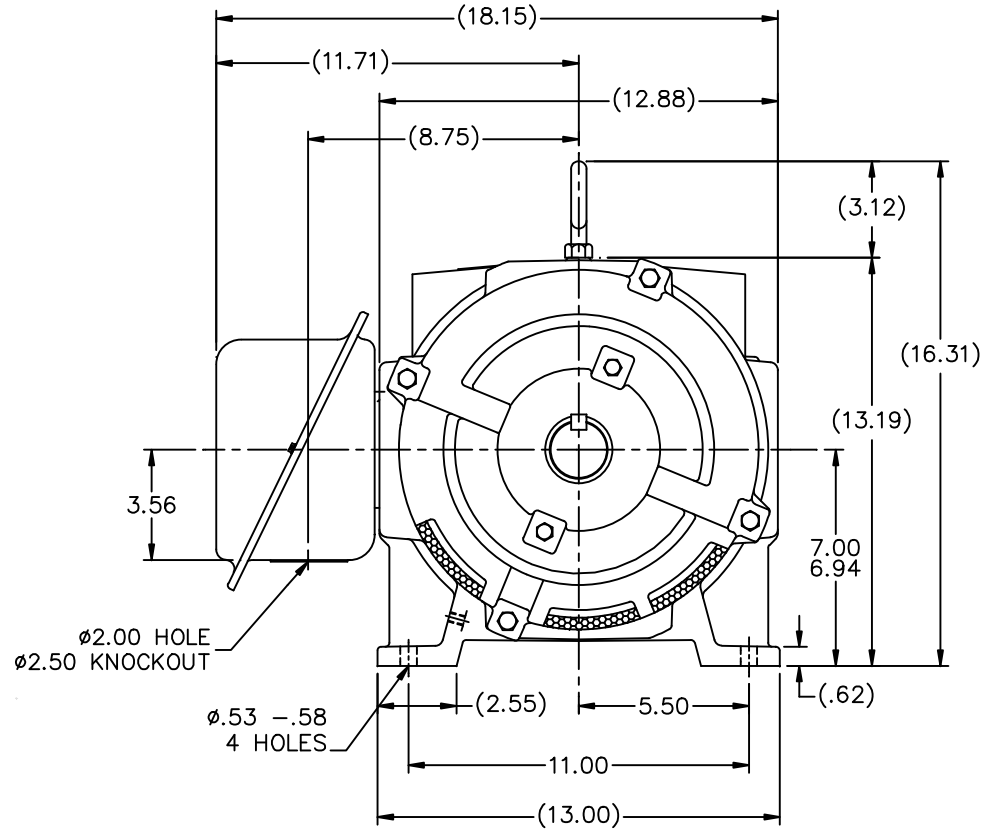
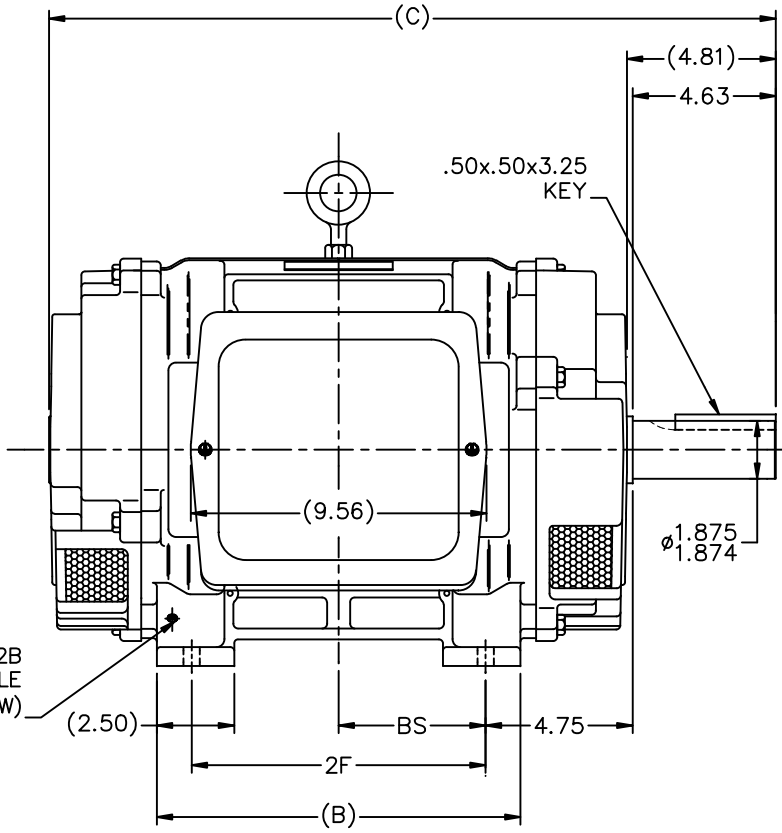


Nameplate Specifications

Output HP	30 Hp	Output KW	22.4 kW
Frequency	60 Hz	Voltage	230/460 V
Current	73.0/36.5 A	Speed	1760 rpm
Service Factor	1	Phase	3
Efficiency	90.2 %	Duty	120/80 Starts/Hour
Insulation Class	F	Design Code	INV
KVA Code	F	Frame	284T
Enclosure	Drip Proof	Overload Protector	No
Ambient Temperature	40 °C	Drive End Bearing Size	311
Opp Drive End Bearing Size	210	UL	Recognized
CSA	Y	CE	Y
IP Code	12		

Technical Specifications

Electrical Type	Squirrel Cage Induction Run	Starting Method	Wye Start Delta Run
Poles	4	Rotation	Reversible
Mounting	Rigid base	Motor Orientation	HORIZONTAL
Drive End Bearing	BALL	Opp Drive End Bearing	BALL
Frame Material	Cast Iron	Shaft Type	T
Overall Length	23.49 in	Frame Length	12.75 in
Shaft Diameter	1.875 in	Shaft Extension	4.63 in
Assembly/Box Mounting	F1/F2 CAPABLE		
Outline Drawing	B-SS200030LN-1275	Connection Diagram	A-EE7358-LN



- NOTES
1. BOX CAN BE ROTATED IN 90° STEPS
 2. BOX CAN BE MOUNTED ON OPPOSITE SIDE BY REMOVING BRACKETS AND TURNING FRAME 180°
 3. NAMEPLATE TO BE READ FROM CONDUIT BOX SIDE OF MOTOR

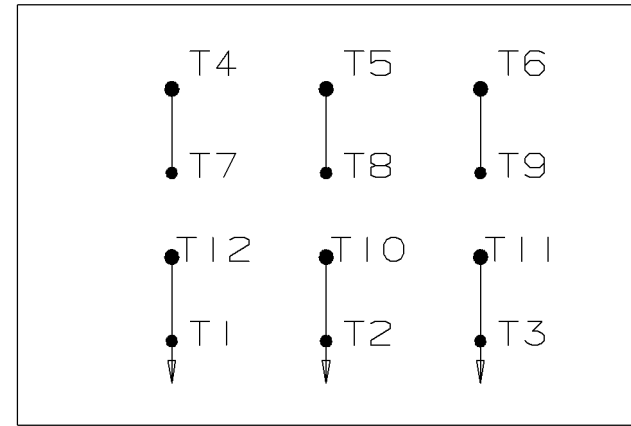
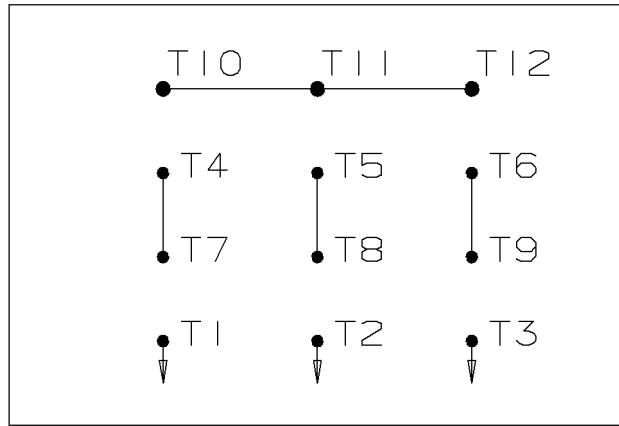
DASH	FRAME	B	C	2F	BS
1275	284T	11.75	23.49	9.50	4.75
1425	286T	13.25	24.99	11.00	5.50

		TOLERANCES UNLESS SPECIFIED		Lincoln MOTOR		DRAWN CTO 12-12-2003	
		DEC.	INCHES			CHK	ML 12-12-2003
		.X	±.1			APPD	BW 12-12-2003
		.XX	±.03	TITLE OUTLINE - DR.PR. - CAST IRON		SCALE	1=4
2	ADDED SCREENS MU98659	EDK	12/3/2010	BW	.XXX ±.005	REF	
1	REV'D C'BOX HOLE 2.00/2.50 WAS JUST 2.00 MU 50269	ERH	07-14-2004	ML	.XXXX ±.0005	FMF	MU49135
NO.	REVISION	BY & DATE		CHK	ANG ±7'30"	FINISH	PREV
THIS DRAWING IN DESIGN AND DETAIL IS OUR PROPERTY AND MUST NOT BE USED EXCEPT IN CONNECTION WITH OUR WORK ALL RIGHTS OF DESIGN AND INVENTION ARE RESERVED THIS IS AN ELECTRONICALLY GENERATED DOCUMENT - DO NOT SCALE THIS PRINT				RFP	12-12-2003	CAD FILE	ss200030ln
				DIST	LB	SIZE	DRAWING NO. PAGE OF REV.
						B	SS200030LN 2

WYE START

HIGH VOLTAGE

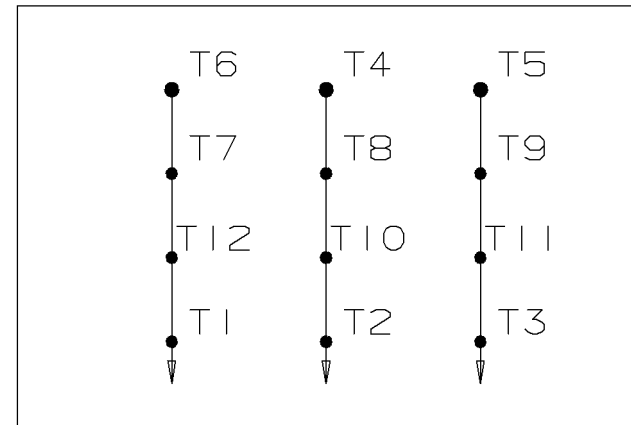
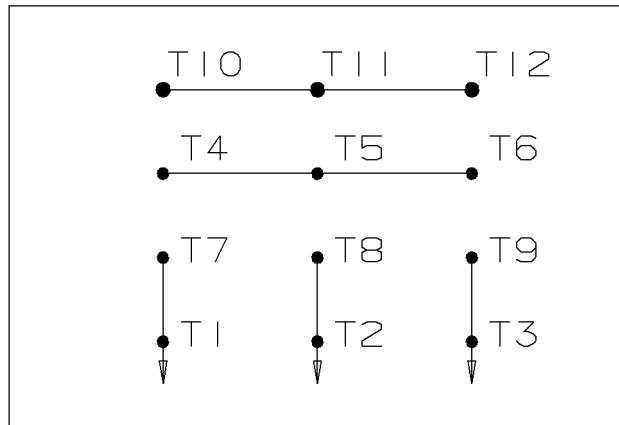
DELTA RUN



WYE START

LOW VOLTAGE

DELTA RUN



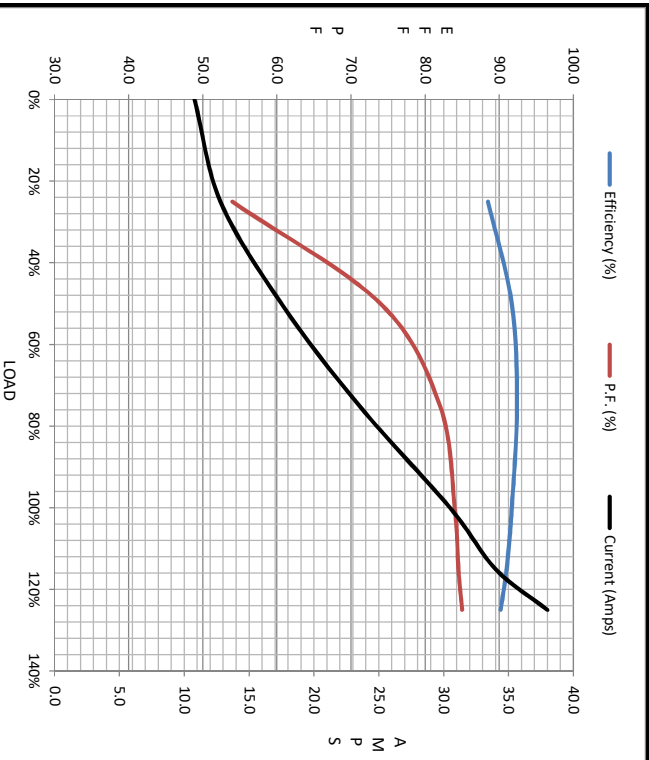
4/2 CKTY Δ

					<input checked="" type="checkbox"/> UNLESS OTHERWISE SPECIFIED DIMENSIONS ARE IN INCHES TOL. ON XX± .02 XXX± .005 XXXX± .0005 ANGLES± 7'30"		
						MAX. SURFACE ROUGHNESS UNLESS OTHERWISE NOTED FINISH MATERIAL	DRAWN BY DRS CHKD BY ML APPD BY TB
1	12-07-1999	NEW DRAWING	DRS	PART NAME CONNECTION DIAGRAM			DRWG NO A-EE7358-LN
REV	DATE	CHANGE	NAME	PURCHASED			CADD FILE NO. EE7358-LN



Motor Load Data								
Load	0%	25%	50%	75%	100%	115%	125%	LR
Current (Amps)	10.8	12.8	17.5	23.5	30.5	34.0	38.0	170
Torque (ft-lb)	0.00	18.5	36.5	56.0	74.5	84.0	94.0	120
RPM	1800	1795	1785	1775	1765	1760	1755	0
Efficiency (%)		88.5	91.7	92.4	91.7	91.0	90.2	
P.F. (%)	6.5	54.0	74.0	82.0	84.0	84.5	85.0	38.0

Motor Speed Data					Information Block				
LR	Pull-Up	BD	Rated	Idle	HP	Sync. RPM	Frame	Enclosure	Construction
0	1250	1650	1765	1800	25.0	1800	284	DP	TDP
170	155	105	30.5	10.8					230/460#230/460
Torque (ft-lb)	120	115	74.5	0.00					60
									Hz
									Design
									B
									LR Code letter
									F
									Service Factor
									1.15
									Temp Rise @ FL
									65
									Duty
									60 MIN
									Ambient
									40
									Elevation
									1,000
									feet
									Rotor/Shaft wk ²
									2.70
									Ref Wdg
									K2564256 R2
									Sound Pressure @ 1M
									72
									dB(A)
									VFD Rating
									NONE
									Outline Dwg
									B-SS200030LN-1275
									Conn. Diag
									A-EE7358-1N
									Additional Specifications:
									0
									EQUIV CKT (OHMS / PHASE)
									R1
									0.2570
									R2
									0.1650
									X1
									0.9350
									X2
									1.3910
									Xm
									25.7640



LR	Pull-Up	BD	Rated	Idle
0	1250	1650	1765	1800
170	155	105	30.5	10.8
Torque (ft-lb)	120	115	74.5	0.00

