

PRODUCT INFORMATION PACKET



Model No: SD6P7.5TCN6006ET1

Catalog No: LM28201

..7.5HP..1200RPM.254TC.ODP.200V.3PH.60HZ.ELEVATOR.40C.1.0SF.C FACE.....NOT.....
Elevator Duty

Regal and Leeson are trademarks of Regal Beloit Corporation or one of its affiliated companies.

©2018 Regal Beloit Corporation, All Rights Reserved. MC017097E



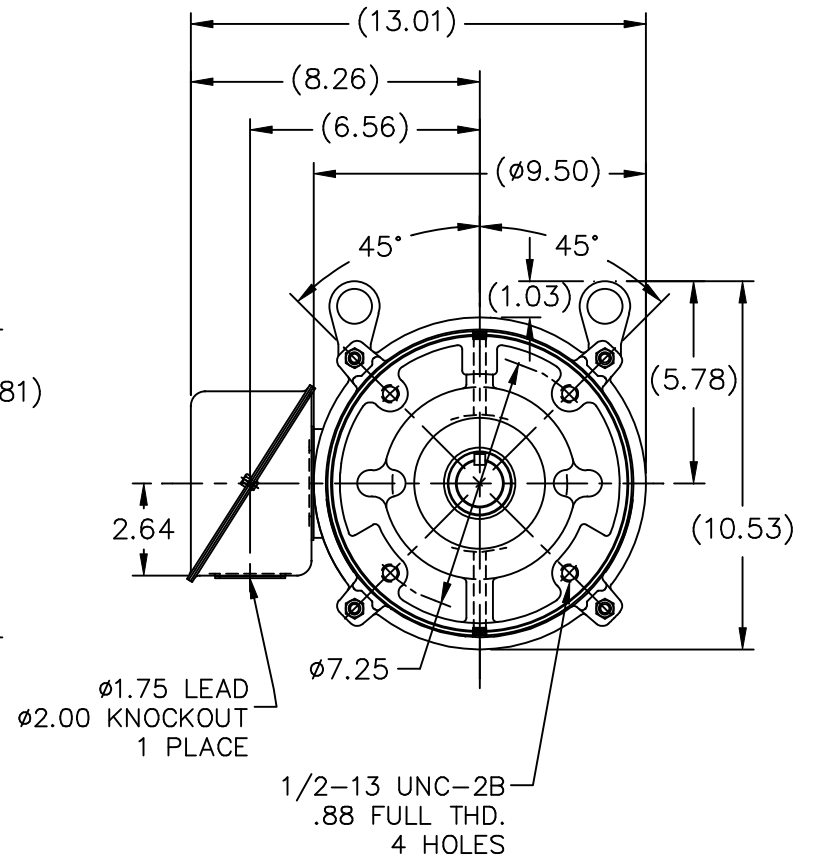
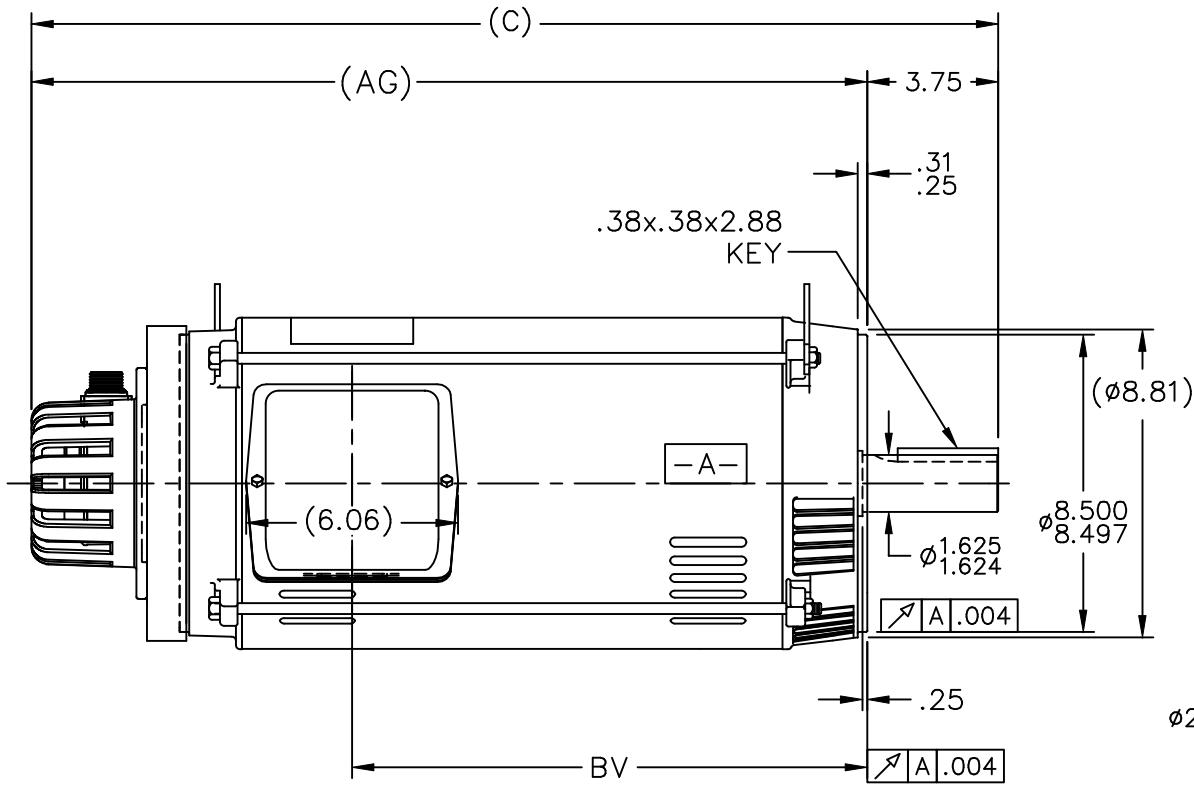


Nameplate Specifications

Output HP	7.50 Hp	Output KW	5.6 kW
Frequency	60 Hz	Voltage	200 V
Current	27.6 A	Speed	1155 rpm
Service Factor	1	Phase	3
Efficiency	82.5 %	Duty	Elevator
Insulation Class	F	Design Code	INV
KVA Code	J	Frame	254TC
Enclosure	Drip Proof	Overload Protector	No
Ambient Temperature	40 °C	Drive End Bearing Size	309
Opp Drive End Bearing Size	208	UL	Recognized
CSA	Y	CE	Y
IP Code	12		


Technical Specifications

Electrical Type	Squirrel Cage Inverter Duty	Starting Method	Inverter Only
Poles	6	Rotation	Reversible
Mounting	Round	Motor Orientation	HORIZONTAL
Drive End Bearing	BALL	Opp Drive End Bearing	BALL
Frame Material	Rolled Steel	Shaft Type	T
Overall Length	25.85 in	Frame Length	13.40 in
Shaft Diameter	1.625 in	Shaft Extension	4 in
Assembly/Box Mounting	F1/F2 CAPABLE		
Outline Drawing	A-SS88789LN-1340	Connection Diagram	A-EE7300T-LN



- NOTES:
1. NAMEPLATE TO BE READ FROM C'BOX SIDE OF MOTOR.
 2. BOX CAN BE MOUNTED IN 90° STEPS.
 3. BOX CAN BE MOUNTED ON OPPOSITE SIDE BY REMOVING BRACKETS AND TURNING FRAME 180°. (EXCEPT AS NOTED.)

DASH	FR.	C	AG	BV
1340	254TC	25.85	22.10	12.76
1515	254/256TC	27.65	23.90	14.50

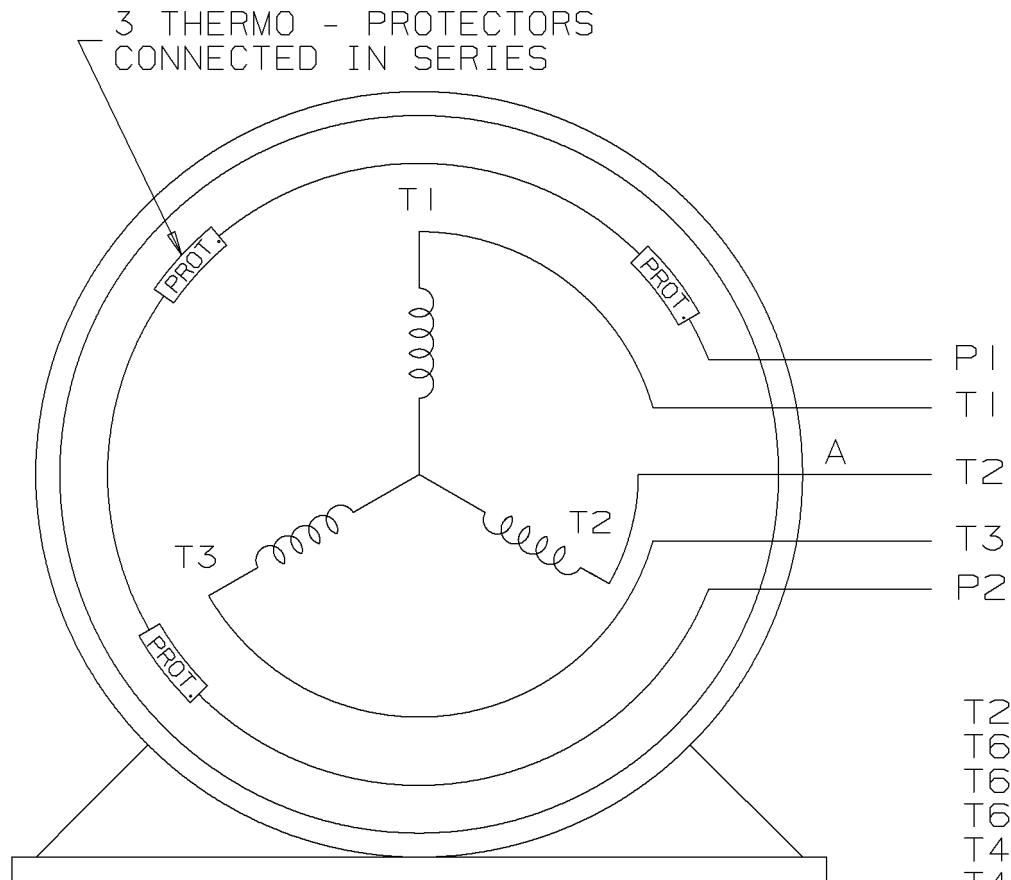
				TOLERANCES UNLESS SPECIFIED			DRAWN CAV 12-18-2002		
				DEC.	INCHES		CHK	ML 12-19-2002	
4	ADDED VENTS TO REAR BRKT. ISAAC #07-2780	RWR 11-09-2007	ML	.X	±.1	TITLE OUTLINE - STEEL C'BOX HS35 TACH 250TC FR. - BB - DR.PR.	APPD	BW 12-19-2002	
3	REVISE D.E. BRACKET PER ISAAC #07-24446	RWR 10-12-2007	ML	.XX	±.03		SCALE	1=5.5	
2	CHANGED REAR BRACKET VIEW CN 29100-3428	ERH 05-07-2003	DRS	.XXX	±.005		REF		
1	NEW DRAWING MU44630	CAV 12-18-2002	BW	.XXXX	±.0005		MAT'L.	FMF	
NO.	REVISION	BY & DATE	CHK	ANG	±7'30"		FINISH	PREV	
THIS DRAWING IN DESIGN AND DETAIL IS OUR PROPERTY AND MUST NOT BE USED EXCEPT IN CONNECTION WITH OUR WORK ALL RIGHTS OF DESIGN AND INVENTION ARE RESERVED THIS IS AN ELECTRONICALLY GENERATED DOCUMENT - DO NOT SCALE THIS PRINT				RFP	CAD FILE ss88789ln		SIZE	DRAWING NO. PAGE OF	REV.
				DIST	LB	A	SS88789LN	4	

THREE PHASE - SINGLE VOLTAGE
MOTOR - CONDUIT BOX @ 'A'

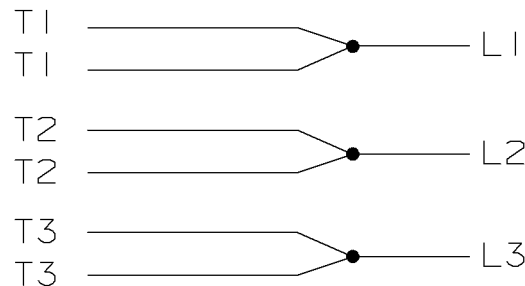
A-EE7300T-LN

TO REVERSE ROTATION:
INTERCHANGE ANY TWO LINE
LEAD CONNECTIONS

NOTE FOR FACTORY USE ONLY:
TO SURGE TEST:
FOR 3 LEAD COMMON CONNECT:
CONNECT P1 TO T1 THEN P2 TO L1
FOR 6 LEAD COMMON CONNECT:
CONNECT P1 TO BOTH T1
THEN P2 TO L1



IF MOTOR HAS MULTIPLE
T'S PER LEAD CONNECT
TOGETHER LIKE T'S



A-9806 DECAL

- T2BM
- T6AW
- T6AL
- T6Z
- T4EG
- T4BF
- T8A
- T6H
- T6A
- T4AX
- T4A
- T2A
- T2F

VIEW OF TERMINAL END

				Lincoln MOTORS		<input checked="" type="checkbox"/> UNLESS OTHERWISE SPECIFIED DIMENSIONS ARE IN INCHES TOL. ON XX± XXX±.005 XXXX±.0005 ANGLES±	
						MAX. SURFACE ROUGHNESS UNLESS OTHERWISE NOTED	DRAWN BY TJB 04-06-2000 CHKD BY ML 04-07-2000 APPD BY ET 04-10-2000
1	04-10-2000	NEW DRAWING	MU29683	TJB	PART NAME CONNECTION DIAGRAM		DRWG NO
REV	DATE	CHANGE	NAME	SINGLE VOLT - 3Ø MOTOR WITH PROTECTOR			A-EE7300T-LN
				PURCHASED		CADD FILE NO. EE7300T-LN	



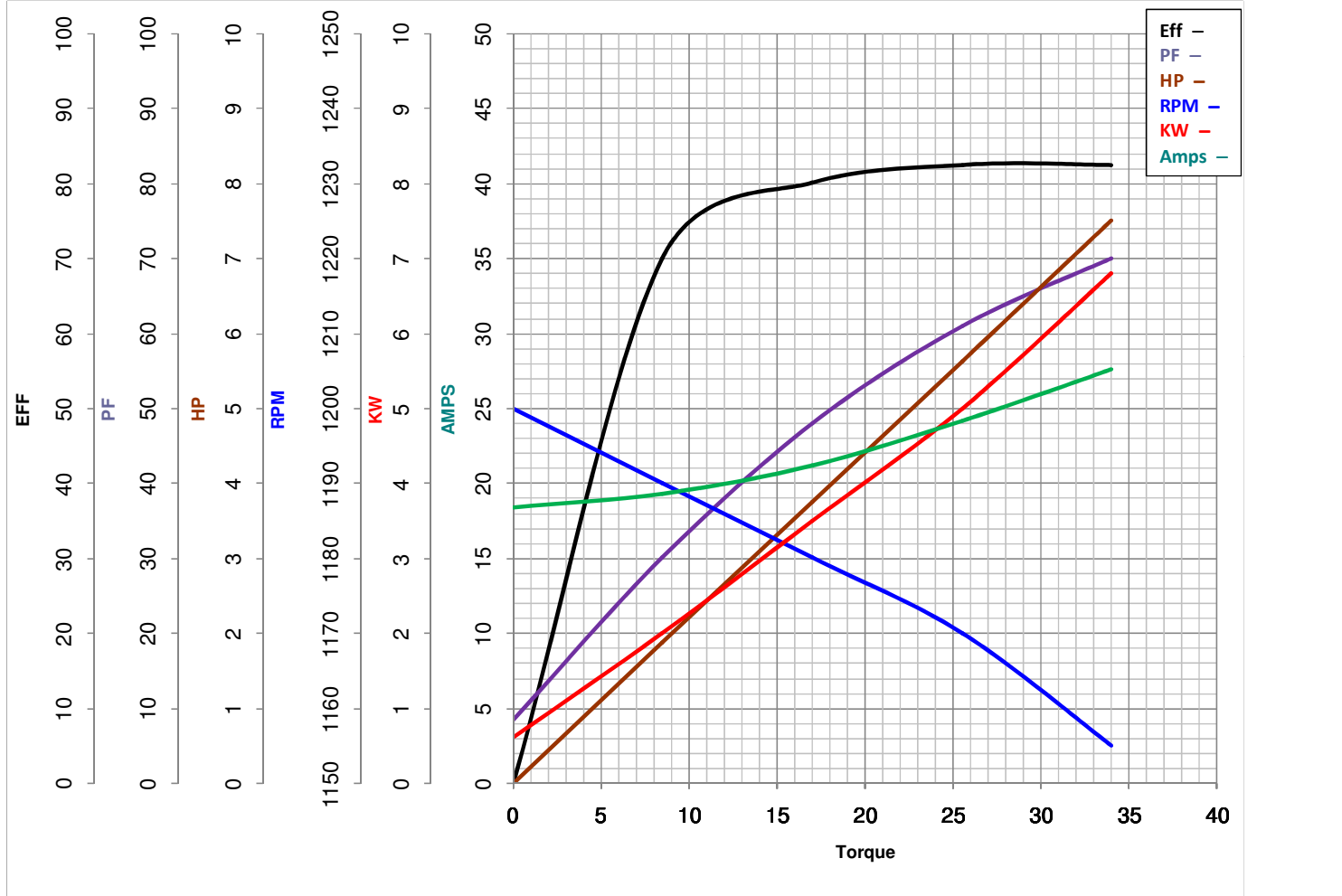
LEESON ELECTRIC CORPORATION
TYPICAL PERFORMANCE CURVE for AC MOTOR

Model No LM28201

Curve at 200 Volts HP 7.50 PHASE 3
60 HZ
7.5 HP VOLTS 200

Catalog No LM28201BB

HZ 60 RPM 1155



FL TORQUE	<u>34</u>	Lb.Ft	FL AMPS	<u>27.6</u>	
BD TORQUE	<u>95.0</u>	Lb.Ft	PU TORQUE	<u>76.5</u>	Lb.Ft
LR TORQUE	<u>85</u>	Lb.Ft	LR AMPS	<u>172.5</u>	
WINDING	K2156159-2		Date	<u>6/4/2018</u>	