

# PRODUCT INFORMATION PACKET



Model No: E100115.00  
Catalog No: E100115.00  
ecoSaver™ General Purpose Motor, 0.25 HP, 1 Ph, 60 Hz, 115/230 V, 1800 RPM, 48 Frame, DP



Regal and LEESON are trademarks of Regal Rexnord Corporation or one of its affiliated companies.  
©2025 Regal Rexnord Corporation, All Rights Reserved. MC017097E



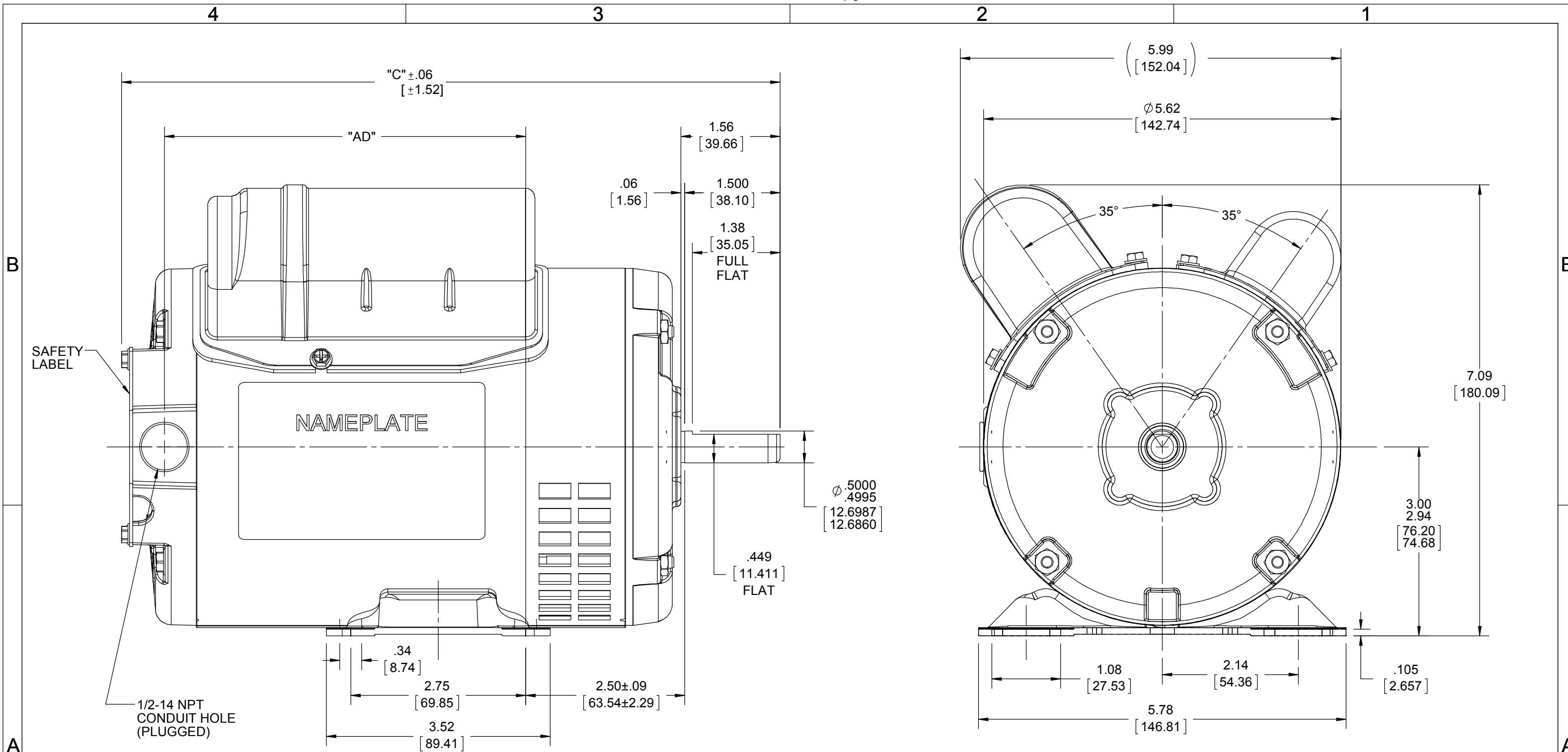


### Nameplate Specifications

Phase	1	Output HP	0.25 Hp
Output KW	0.19 kW	Voltage	115/230 V
Speed	1725 rpm	Service Factor	1.35
Frame	48	Enclosure	Drip Proof
Thermal Protection	Automatic	Efficiency	68.5 %
Ambient Temperature	40 °C	Frequency	60 Hz
Current	2.4/1.2 A	Power Factor	92.7
Duty	Continuous	Insulation Class	F
Design Code	N	KVA Code	M
Drive End Bearing Size	6203	Opp Drive End Bearing Size	6203
UL	Recognized	CSA	Y
CE	Y	IP Code	22
Number of Speeds	1		

### Technical Specifications

Electrical Type	Capacitor Start Capacitor Run	Starting Method	Across The Line
Poles	4	Rotation	Selective Counterclockwise
Resistance Main	0 Ohms	Mounting	Rigid Base
Motor Orientation	Horizontal	Drive End Bearing	Ball
Opp Drive End Bearing	Ball	Frame Material	Rolled Steel
Shaft Type	NEMA 48	Overall Length	10.12 in
Frame Length	6.50 in	Shaft Diameter	0.500 in
Shaft Extension	1.5 in	Assembly/Box Mounting	F1 ONLY
Outline Drawing	SS404327-675	Connection Drawing	005053.40



DASH NO.	"C"	"AD"
675	10.36[263.14]	5.68[144.27]

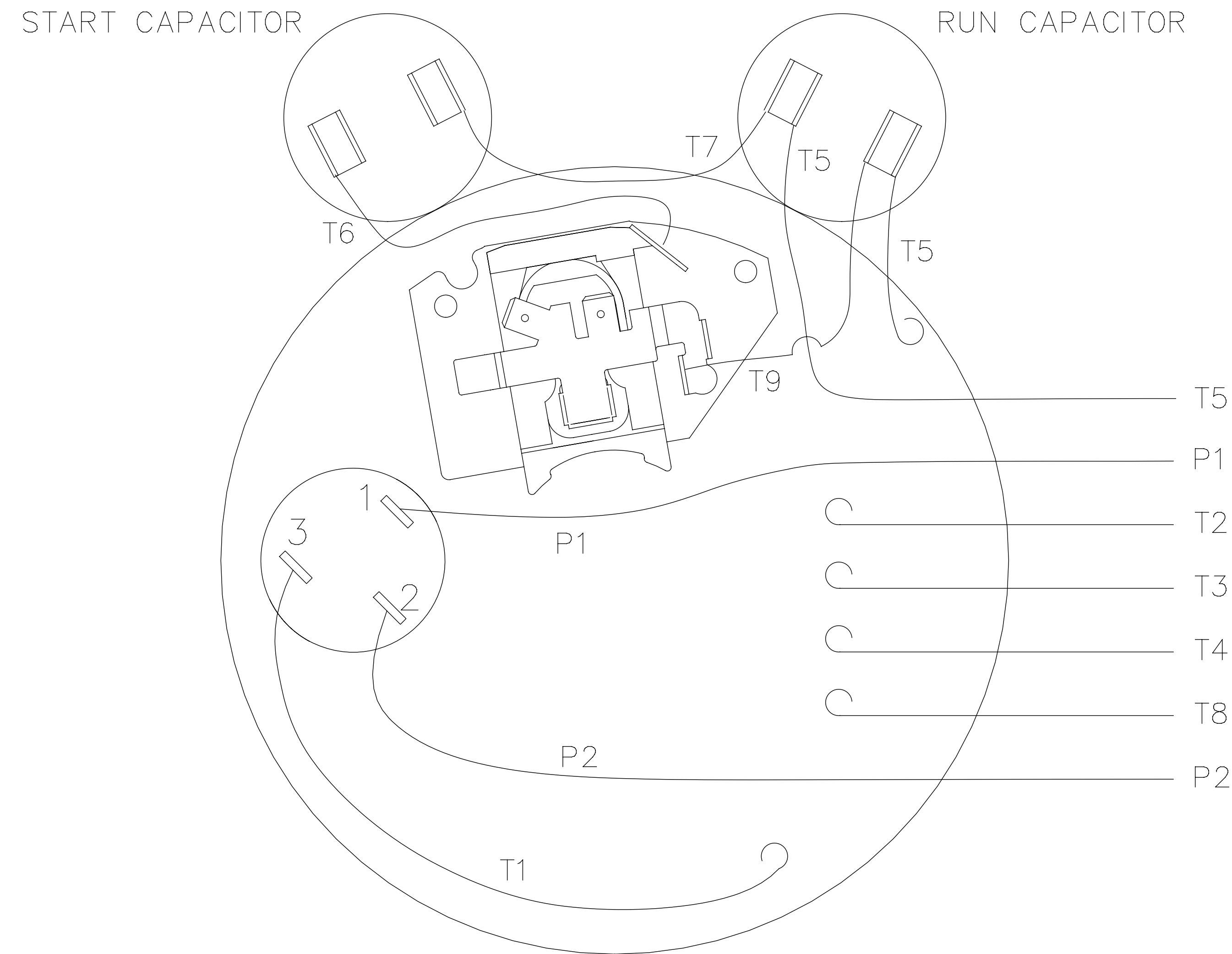
DRAWING REVISION B	REVISION BY M.RODARTE	DATE 05-08-2019
ECO ECO-0166506	APPROVED BY	DATE

**ADDED SAFETY LABEL**  
 COPYRIGHT REGAL BELOIT AMERICA, INC. ALL RIGHTS RESERVED. PROPRIETARY AND CONFIDENTIAL INFORMATION - THIS DOCUMENT IS THE PROPERTY OF REGAL BELOIT AMERICA, INC. ("OWNER") AND CONTAINS OWNER'S PROPRIETARY INFORMATION. ANY PERSON, CORPORATION OR OTHER FIRM RECEIVING IT IS DEEMED, BY RECEIVING IT, TO AGREE THAT IT, AND/OR ANY PART OF IT, SHALL NOT BE DISCLOSED TO ANY PERSON, CORPORATION OR OTHER ENTITY, DUPLICATED, AND/OR USED, EXCEPT AS EXPRESSLY APPROVED IN WRITING IN ADVANCE BY OWNER. THIS DOCUMENT SHALL BE RETURNED TO OWNER UPON REQUEST. IT MAY BE SUBJECT TO CERTAIN RESTRICTIONS UNDER APPLICABLE EXPORT CONTROL LAWS AND REGULATIONS.

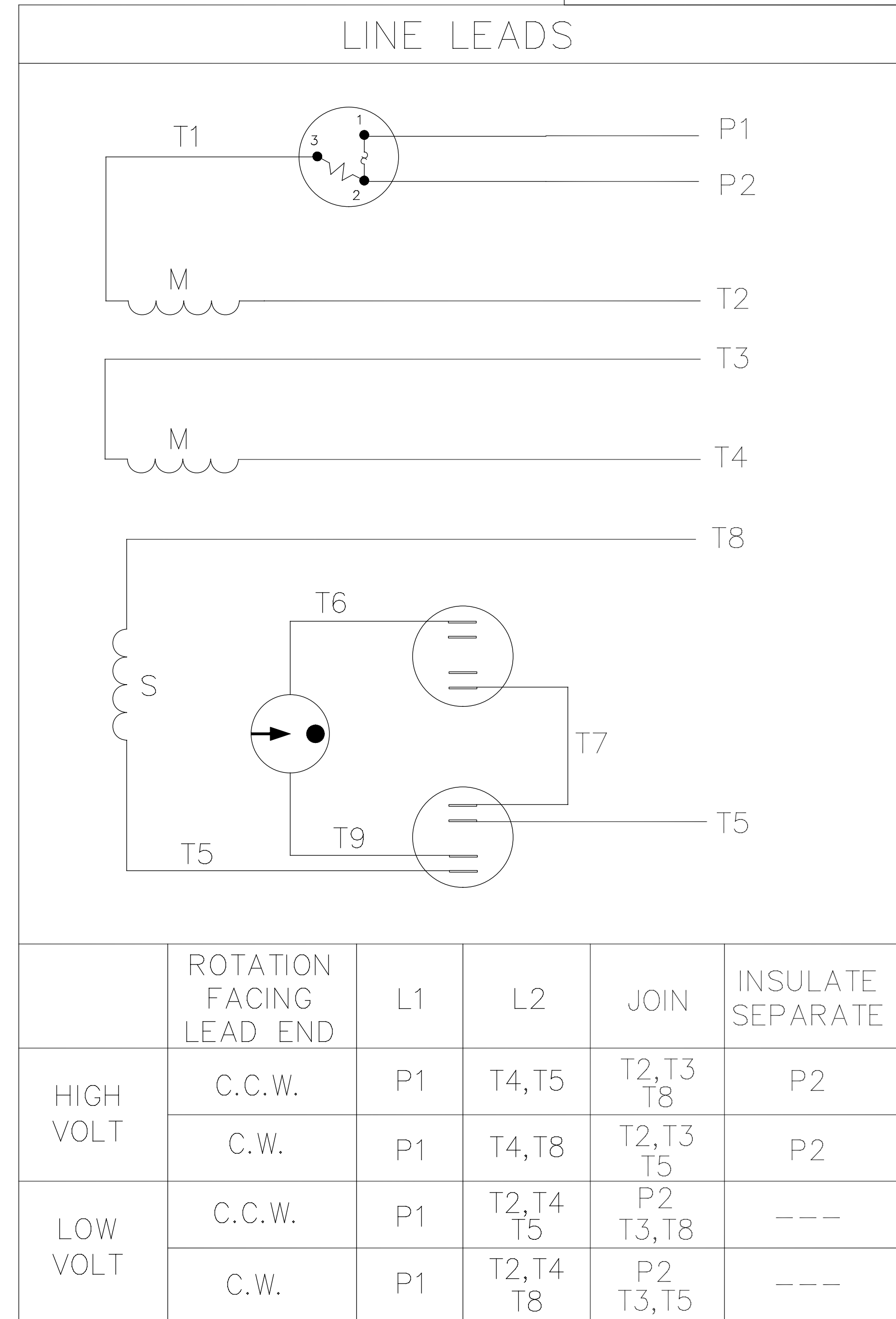
TOLERANCES UNLESS OTHERWISE SPECIFIED:  
 DEC. INCH [mm] ANGLE  
 .X ±0.1 [±2.5] ±7° 30"  
 .XX ±0.02 [±0.51]  
 .XXX ±0.005 [±0.127]  
 .XXXX ±0.0005 [±0.0127]  
 REMOVE BURRS & BREAK SHARP EDGES: .003/.015 [0.076/.381] X 45°  
 CORNER FILLETS: R.02 [51]  
 MACHINED SURFACES: 200 INCH/mm 5.1  
 mm SHOWN IN [BRACKETS]

DRAWN BY H. ADIKE	DATE 11/30/2018
APPROVED BY JD	DATE 12/19/2018
REFERENCE SS404123	THIRD ANGLE PROJECTION

<b>REGAL</b> ™ Regal Beloit America, Inc.	
DESCRIPTION <b>OUTLINE</b> S56 FRAME RIGID MOUNT - DRIP PROOF	PROCESS/FINISH
MATERIAL	SIZE B
DRAWING NUMBER <b>SS404327</b>	SHEET 1 OF 1



VIEW FROM OUTSIDE OF MOTOR AT SWITCH END



				TOLERANCES UNLESS SPECIFIED		DRAWN PG 7/2/02			
				DEC.	INCHES	CHK			
				.X	±.1	APPD			
				.XX	±.01	SCALE 5=8			
				.XXX	±.005	REF 005053.01			
A	CHANGED LOGO TO REGAL	PST	2/1/16	SKM	.XXXX	±.0005	FMP 102827.00		
NO.	REVISION	BY & DATE	CHK	ANG	±1/2"	FINISH	PREV		
THIS DRAWING IN DESIGN AND DETAIL IS OUR PROPERTY AND MUST NOT BE USED EXCEPT IN CONNECTION WITH OUR WORK ALL RIGHTS OF DESIGN AND INVENTION ARE RESERVED THIS IS AN ELECTRONICALLY GENERATED DOCUMENT - DO NOT SCALE THIS PRINT				RFP	CAD FILE 00505340		SIZE A	DRAWING NO. 005053-40	REV. A
				DIST					



TITLE EXTERNAL WIRING DIAGRAM  
TYPE "K" W/PROTECTOR

MAT'L. DUAL VOLTAGE - DUAL ROTATION



## EC Declaration of Conformity

The undersigned representing  
the manufacturer:

Regal Beloit America  
1946 West Cook Road  
Fort Wayne, IN 46818

and the authorized representative  
established within the Community:

Regal Beloit Italy  
Via Modena, 18  
24040 Ciserano(BG) - Italy

are committed to providing customers with products that comply with applicable regulations and international protocols to which they are subject, including the requirements of the European Parliament Directive on the Harmonization of the laws relating to electrical equipment designed for use within certain voltage limits (2014/35/EU).

Regal Beloit America declares that the following product(s), to which this declaration relates, are in conformity with the relevant sections of the EC standards listed below.

This statement supersedes any statements previously issued pertaining to the product(s) listed below and is subject to change without notice.

Model No : E100115.00

(Model No. may contain prefix and/or suffix characters)

Catalog No : E100115.00

Rework No : N/A

Directives :

Low Voltage Directive 2014/35/EU

Harmonized Standards Used :

EN 60034-1: 2010 (IEC 60034-1: 2010)

EN 60034-5: 2001/A1:2007 (IEC 60034-5: 2000/A1:2006)

Authorized Representative:



Zach Stauffer  
Vice President, Engineering

Authorized Representative in the Community:



Stefano Casiraghi  
Technology Director, Engineering

Created on 07/08/2025

**CE 25**