

PRODUCT INFORMATION PACKET

Model No: 056T11G15528
Catalog No: K2110A
1,1200,EPFC,56H,3/60/230/460
Explosion Proof



Regal and Marathon are trademarks of Regal Beloit Corporation or one of its affiliated companies.
©2018 Regal Beloit Corporation, All Rights Reserved. MC017097E



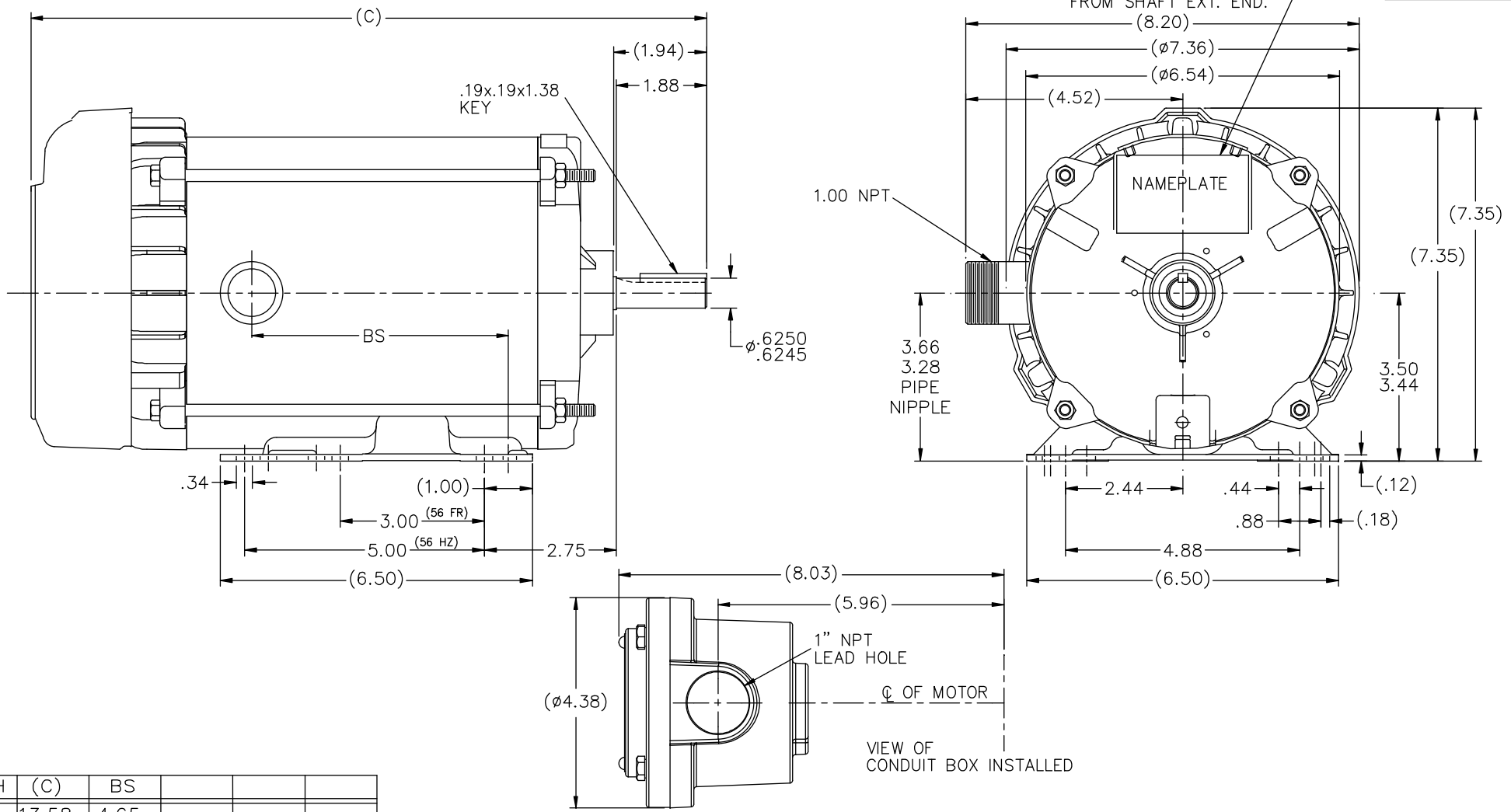


Nameplate Specifications

Output HP	1 Hp	Output KW	0.75 kW
Frequency	60 Hz	Voltage	230/460 V
Current	3.8/1.9 A	Speed	1140 rpm
Service Factor	1	Phase	3
Efficiency	82.5 %	Duty	CONTINUOUS
Insulation Class	B	Design Code	B
KVA Code	L	Frame	56H
Enclosure	EPFC	Overload Protector	AUTOMATIC
Ambient Temperature	40 °C	Drive End Bearing Size	6205
Opp Drive End Bearing Size	6203	UL	No
CSA	N	CE	N
IP Code	54		

Technical Specifications

Electrical Type	SQ CAGE IND RUN	Starting Method	ACROSS THE LINE
Poles	6	Rotation	REV
Mounting	RIGID	Motor Orientation	HORIZONTAL
Drive End Bearing	BALL	Opp Drive End Bearing	BALL
Frame Material	ROLLED STEEL	Shaft Type	T
Overall Length	16.08 in	Frame Length	9.31 in
Shaft Diameter	0.63 in	Shaft Extension	1.94 in
Assembly/Box Mounting	F1 ONLY		
Outline Drawing	B-105907-931	Connection Diagram	EE7335

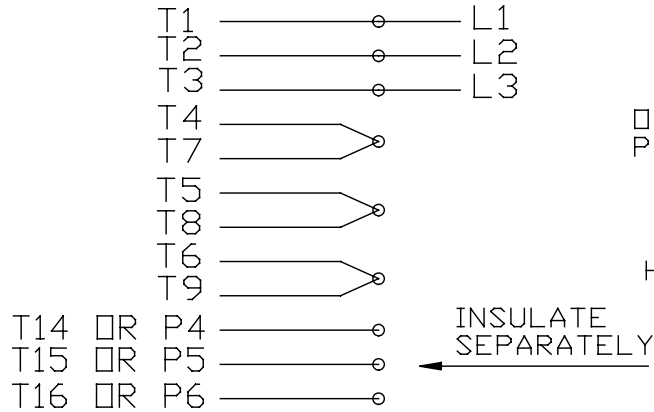


DASH	(C)	BS			
681	13.58	4.65			
731	14.08	5.15	SHOWN		
781	14.58	5.65			
831	15.08	6.15			
881	15.58	6.65			
931	16.08	7.15			
981	16.58	7.65			

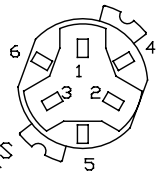
				TOLERANCES UNLESS SPECIFIED		MARATHON ELECTRIC	DRAWN RAD 12-07-07						
				DEC.	INCHES		CHK	VL	12-07-07				
				.X	±.1								
				.XX	±.03	TITLE	OUTLINE			APPD RAD 12-07-07			
2	COND. BOX INSTALLED VIEW UPDATED PER ECR-0044571	UD	10/16/13	ST	.XXX	±.005	56H FR. - EXP. PR. - TEFC - 1 ϕ & 3 ϕ			SCALE 1=2			
1	REVISED BASE & BRACKET	08-1256	RJW 03-25-2008	ML	.XXXX	±.0005	MAT'L.			REF			
NO.	REVISION		BY & DATE	CHK	ANG	±7'30"	FINISH			PREV			
THIS DRAWING IN DESIGN AND DETAIL IS OUR PROPERTY AND MUST NOT BE USED EXCEPT IN CONNECTION WITH OUR WORK ALL RIGHTS OF DESIGN AND INVENTION ARE RESERVED THIS IS AN ELECTRONICALLY GENERATED DOCUMENT - DO NOT SCALE THIS PRINT							RFP	CAD FILE 105907	SIZE	DRAWING NO.	PAGE	OF	REV.
							DIST	WP	B	105907	2		2

EE7335

HIGH VOLTAGE CONNECTIONS

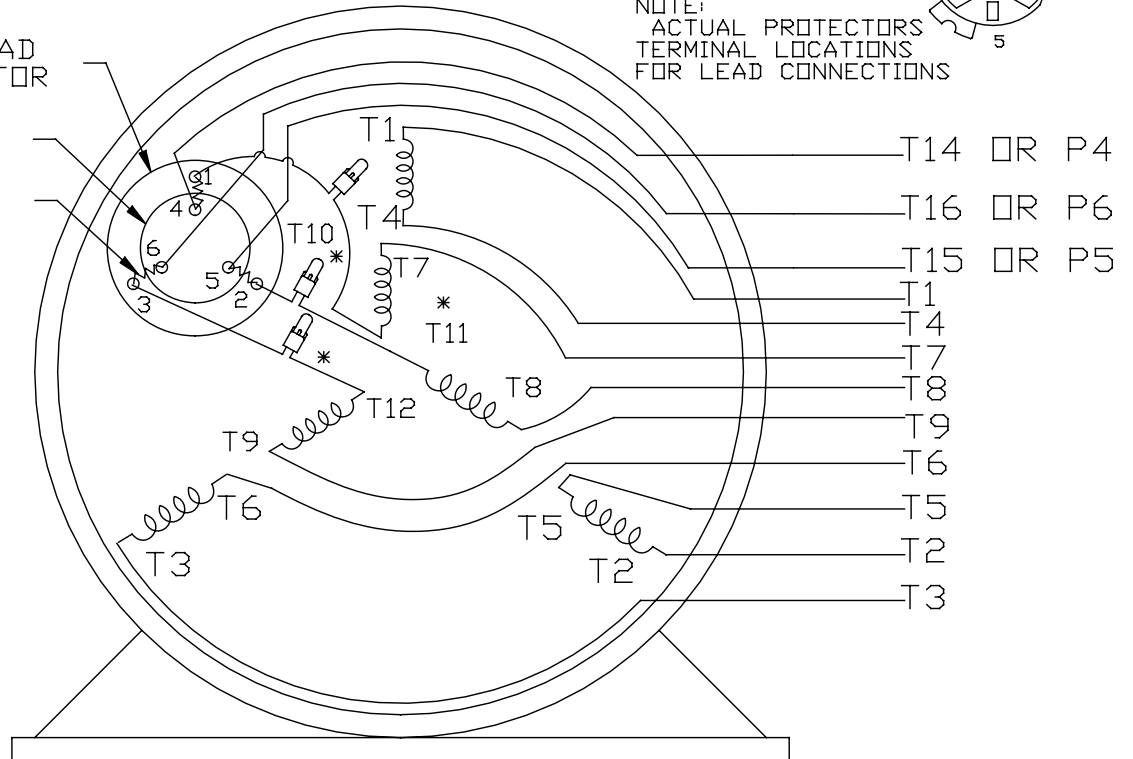


THREE PHASE - DUAL VOLTAGE MOTOR WITH OVERLOAD PROTECTOR



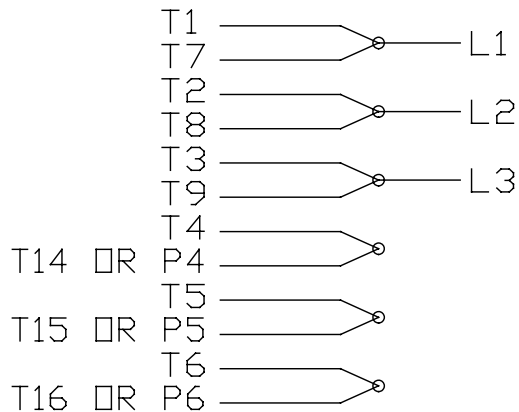
NOTE:
ACTUAL PROTECTORS
TERMINAL LOCATIONS
FOR LEAD CONNECTIONS

OVERLOAD
PROTECTOR
DISC
HEATER



VIEW OF TERMINAL END

LOW VOLTAGE CONNECTIONS



* USE PRESSURE CONNECTORS FOR MT2 PLANT ONLY

T2K
T4D
T6AN

NO.	REVISION	BY & DATE	CHK	TOLERANCES UNLESS SPECIFIED		FINISH	DRAWN	SCALE	REV.	
				DEC.	INCHES					
17	CHANGED LOGO FROM MARATHON TO REGAL	KIR 02/16/16	AB	DEC.	INCHES	Regal Beloit America, Inc.	KL	08-09-1993		
16	PRESSURE CONNECTORS QUANTITY WAS 6	PVR 10/29/13	GR	.X	±.1		CHK	ML	08/10/1993	
15	PRESSURE CONNECTORS ADDED	GR 03/04/13	SR	.XX	±.01		APPD	GK	08/10/1993	
14	ADDED ACTUAL PROCECTOR VIEW CN 17481	KL 05/18/94		.XXX	±.005		TITLE		1=1	
13	REDRAWN IN AUTO CAD	KL 08/11/93		.XXXX	±.0005		3Ø-DUAL VOLT WITH OVERLOAD PROTECTO	REF		
				ANG	±1/2*	MAT'L.	FMF			
				RFP		FINISH	PREV			
THIS DRAWING IN DESIGN AND DETAIL IS OUR PROPERTY AND MUST NOT BE USED EXCEPT IN CONNECTION WITH OUR WORK ALL RIGHTS OF DESIGN AND INVENTION ARE RESERVED THIS IS AN ELECTRONICALLY GENERATED DOCUMENT - DO NOT SCALE THIS PRINT						CAD FILE	EE7335	SIZE	DRAWING NO.	
						DIST		A	EE7335	
									17	

