

# PRODUCT INFORMATION PACKET



Model No: E56Y22VTH2040

Catalog No: E56Y22VTH2040

SyMAX®-i Fan & Blower Motor, 3 HP, 3 Ph, 60 Hz, 208-230 V, 56H Frame, OPEN

Regal and LEESON are trademarks of Regal Rexnord Corporation or one of its affiliated companies.  
©2025 Regal Rexnord Corporation, All Rights Reserved. MC017097E





### Nameplate Specifications

Phase	<b>3</b>	Output HP	<b>3 Hp</b>
Output KW	<b>2.2 kW</b>	Voltage	<b>208-230 V</b>
Speed	<b>1750 rpm</b>	Service Factor	<b>1</b>
Frame	<b>56H</b>	Enclosure	<b>Open Enclosed</b>
Thermal Protection	<b>No Protection</b>	Efficiency	<b>87 %</b>
Ambient Temperature	<b>40 °C</b>	Frequency	<b>60 Hz</b>
Current	<b>7.8-7.1 A</b>	Power Factor	<b>90</b>
Duty	<b>Continuous</b>	Insulation Class	<b>F</b>
Design Code	<b>B</b>	KVA Code	<b>N/A</b>
Drive End Bearing Size	<b>205</b>	Opp Drive End Bearing Size	<b>205</b>
UL	<b>Recognized</b>	CSA	<b>Y</b>
CE	<b>Y</b>	IP Code	<b>10</b>
Number of Speeds	<b>1</b>		

### Technical Specifications

Electrical Type	<b>AC Permanent Magnet</b>	Starting Method	<b>Inverter Only</b>
Poles	<b>10</b>	Rotation	<b>Reversible</b>
Resistance Main	<b>0 Ohms</b>	Mounting	<b>Rigid Base</b>
Motor Orientation	<b>Horizontal</b>	Drive End Bearing	<b>Ball</b>
Opp Drive End Bearing	<b>Ball</b>	Frame Material	<b>Rolled Steel</b>
Shaft Type	<b>NEMA 56</b>	Assembly/Box Mounting	<b>F1 ONLY</b>
Outline Drawing	<b>D0000643-001</b>	Connection Drawing	<b>214-0115</b>

This is an uncontrolled document once printed or downloaded and is subject to change without notice. Date Created:07/29/2025

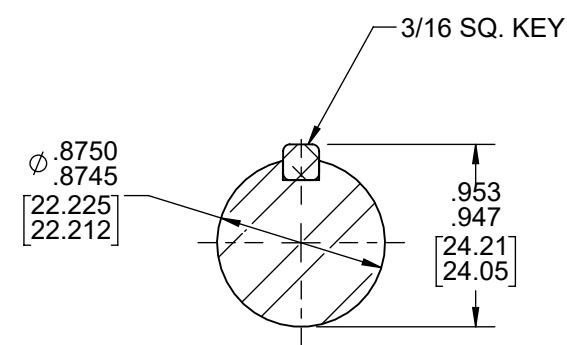
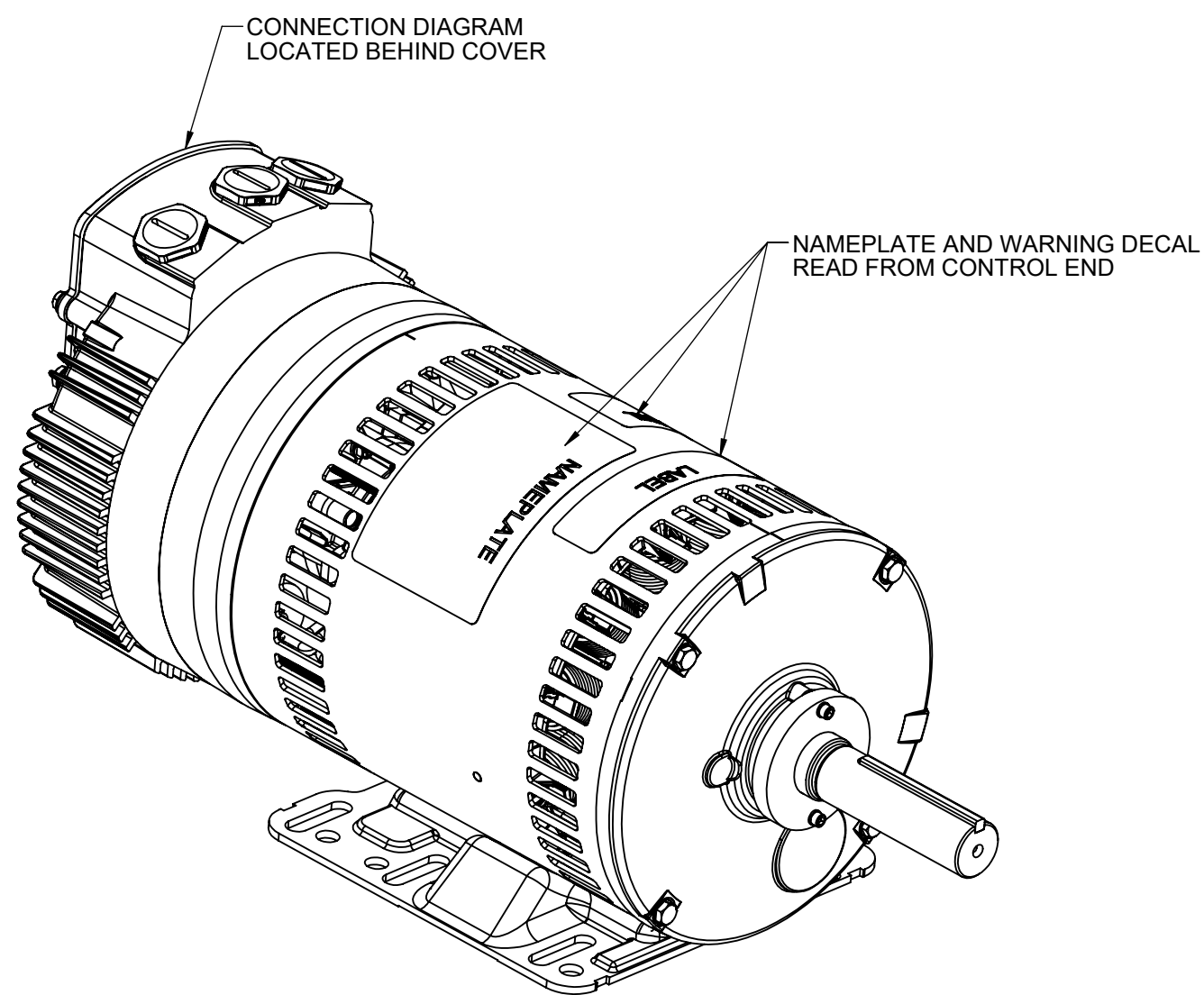
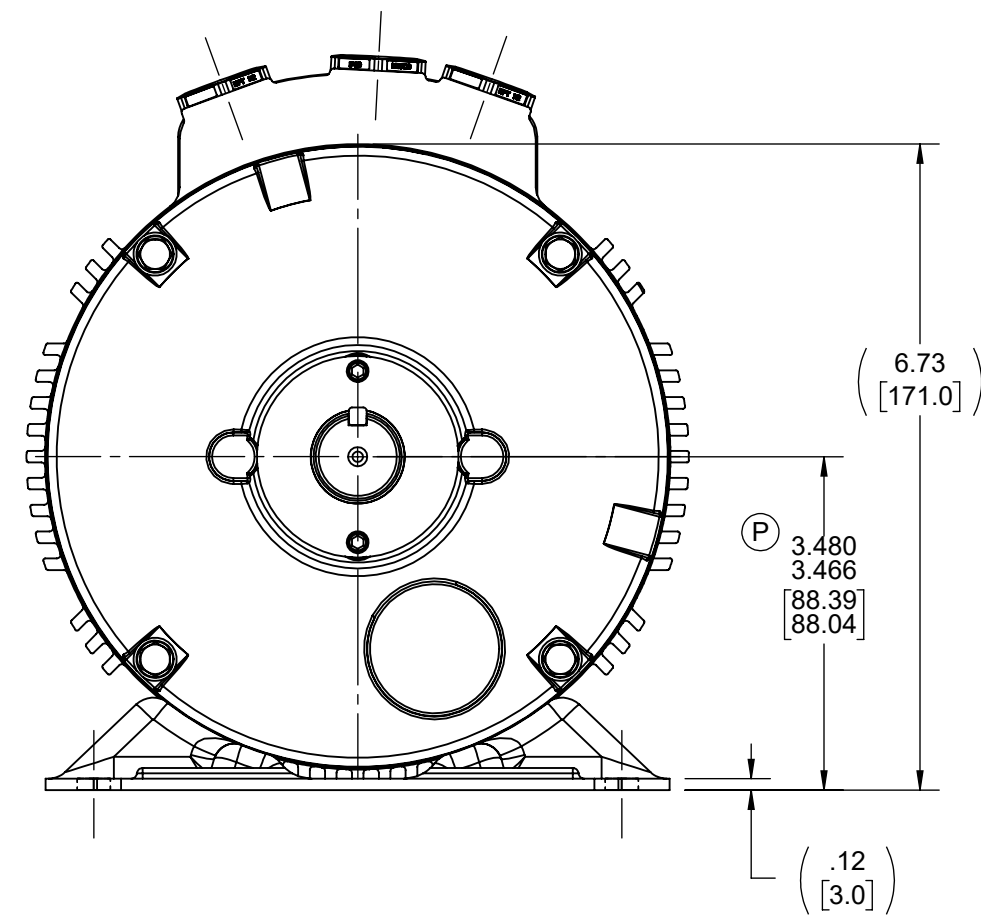
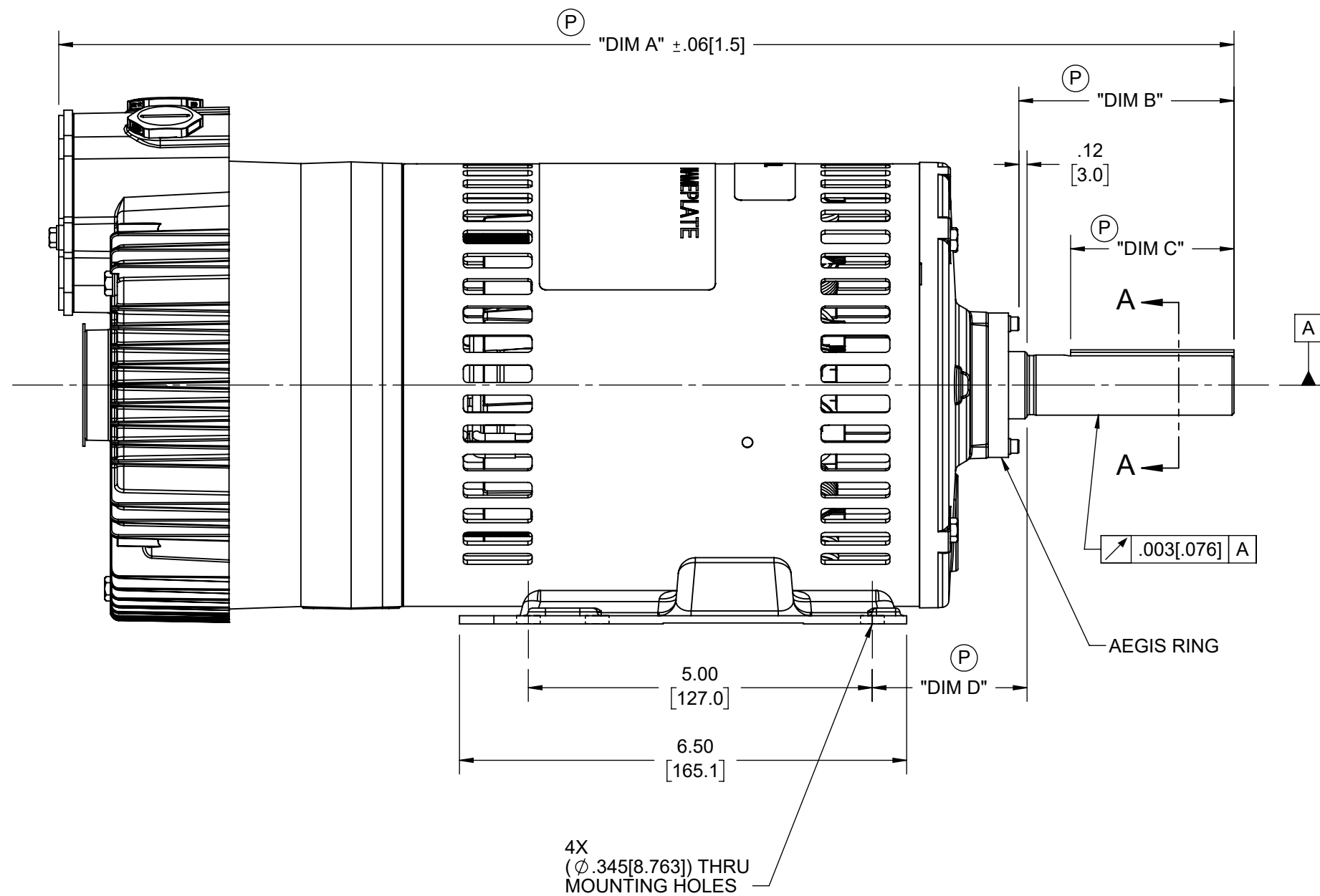
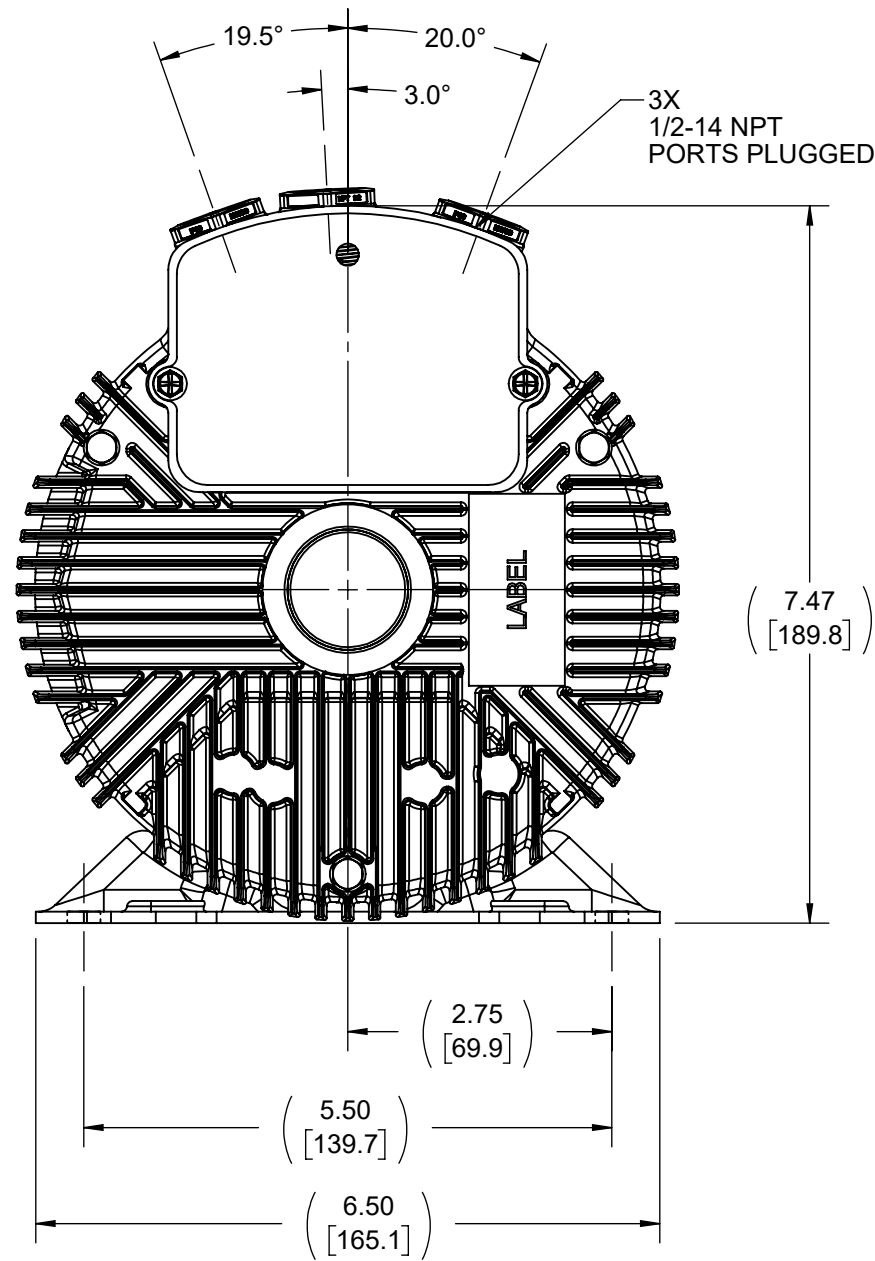
4

3

2

1

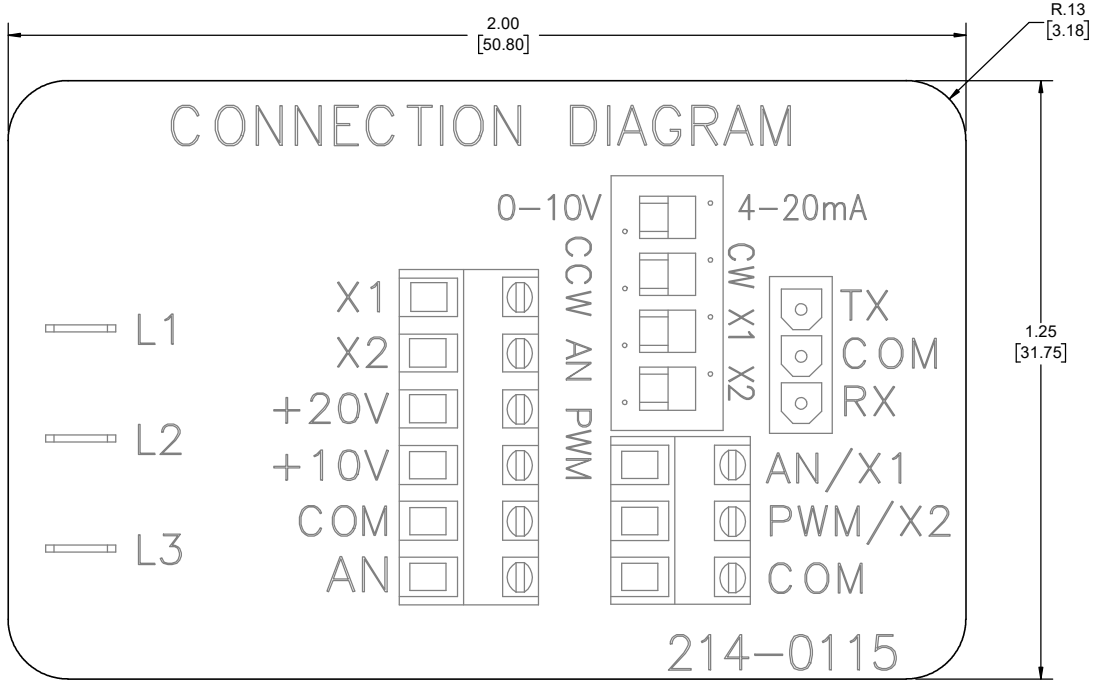
PART NUMBER SUFFIX	"DIM A"	"DIM B"	"DIM C"	"DIM D"
-001	17.08 [433.92]	3.13 [79.50]	2.38 [60.33]	2.75 [69.85]



SECTION A-A

DRAWING REVISION E	REVISION BY MN	REV DATE/∅ DATE 07/08/2024	TOLERANCES (EXCEPT AS NOTED): DEC. INCH mm ANGLE	DRAWN BY M. SWIGER	<b>Regal Rexnord</b> Regal Beloit America, Inc.
REQUEST NUMBER ECO-0235400	APPROVED BY BAN	DATE 07/08/2024	.X ±0.1 [±3] ∠7° 30' .XX ±0.03 [±0.8] .XXX ±0.005 [±0.13] .XXXX ±0.0005 [±0.013]	DATE 01-06-2015	
REQUEST NUMBER DESCRIPTION ADDED WARNING DECAL (FRENCH)			REMOVE BURRS & BREAK SHARP EDGES: .003/.015 [08/.38] X 45° CORNER FILLETS: R.02 [5] MACHINED SURFACES: 200 INCH/mm 5.1	APPROVED BY	DESCRIPTION OUTLINE
COPYRIGHT (PER REVISION DATE) REGAL BELOIT AMERICA, INC. ALL RIGHTS RESERVED. PROPRIETARY AND CONFIDENTIAL INFORMATION - THIS DOCUMENT IS THE PROPERTY OF REGAL BELOIT AMERICA, INC. (OWNER) AND CONTAINS OWNER'S PROPRIETARY INFORMATION. ANY PERSON, CORPORATION OR OTHER FIRM RECEIVING IT IS DEEMED, BY RECEIVING IT, TO AGREE THAT IT, AND/OR ANY PART OF IT, SHALL NOT BE DISCLOSED TO ANY PERSON, CORPORATION OR OTHER ENTITY, DUPLICATED, AND/OR USED, EXCEPT AS EXPRESSLY APPROVED IN WRITING IN ADVANCE BY OWNER. THIS DOCUMENT SHALL BE RETURNED TO OWNER UPON REQUEST. IT MAY BE SUBJECT TO CERTAIN RESTRICTIONS UNDER APPLICABLE EXPORT CONTROL LAWS AND REGULATIONS.			mm DIMENSIONS IN [BRACKETS] ARE FOR REFERENCE ONLY	DATE	MATERIAL
			THIRD ANGLE PROJECTION	REFERENCE	PROCESS/FINISH
			SIZE C	DRAWING NUMBER D0000643-XXX	SHEET 1 OF 1

NOTE:  
WHIE BACKGROUND BLACK LETTERING



DRAWING REVISION <b>E</b>	REVISION BY <b>M. SWIGER</b>	DATE <b>06-26-2014</b>	TOLERANCES UNLESS OTHERWISE SPECIFIED: DEC. INCH mm ANGLE	DRAWN BY <b>DWH 02-11-2013</b>	Regal Beloit America, Inc.
ECO <b>ECO-0054459</b>	APPROVED BY	DATE	.X ±0.1 [±2.5] ±0.5° .XX ±0.01 [±0.25] .XXX ±0.005 [±0.127] .XXXX ±0.0005 [±0.0127]	DATE	
ECO DESCRIPTION <b>REMOVED PHANTOM LINES FOR TEXT</b>			REMOVE BURRS & BREAK SHARP	APPROVED BY	DESCRIPTION <b>CONN DIAGRAM-EXTERNAL</b>
<small>           COPYRIGHT REGAL BELOIT AMERICA, INC. ALL RIGHTS RESERVED.            PROPRIETARY AND CONFIDENTIAL INFORMATION - THIS DOCUMENT IS THE PROPERTY OF REGAL BELOIT AMERICA, INC. ("OWNER") AND CONTAINS OWNER'S PROPRIETARY INFORMATION. ANY PERSON, CORPORATION OR OTHER FIRM RECEIVING IT IS DEEMED, BY RECEIVING IT, TO AGREE THAT IT, AND/OR ANY PART OF IT, SHALL NOT BE DISCLOSED TO ANY PERSON, CORPORATION OR OTHER ENTITY, DUPLICATED, AND/OR USED, EXCEPT AS EXPRESSLY APPROVED IN WRITING IN ADVANCE BY OWNER. THIS DOCUMENT SHALL BE RETURNED TO OWNER UPON REQUEST. IT MAY BE SUBJECT TO CERTAIN RESTRICTIONS UNDER APPLICABLE EXPORT CONTROL LAWS AND REGULATIONS.         </small>			EDGES: .003/.015 [0.076/.381]	DATE	<b>230V</b>
			CORNER FILLETS: .02 [51]	REFERENCE	MATERIAL <b>MYLAR OVERLAY ADHESIVE BACKED</b>
			MACHINED SURFACES: 125/3.2 INCH √mm	THIRD ANGLE PROJECTION	SIZE DRAWING NUMBER <b>214-0115</b>
			mm SHOWN IN [BRACKETS]		SHEET <b>1 OF 1</b>

## EC Declaration of Conformity

The undersigned representing  
the manufacturer:

Regal Beloit America  
1946 West Cook Road  
Fort Wayne, IN 46818

and the authorized representative  
established within the Community:

Regal Beloit Italy  
Via Modena, 18  
24040 Ciserano(BG) - Italy

are committed to providing customers with products that comply with applicable regulations and international protocols to which they are subject, including the requirements of the European Parliament Directive on the Harmonization of the laws relating to electrical equipment designed for use within certain voltage limits (2014/35/EU).

Regal Beloit America declares that the following product(s), to which this declaration relates, are in conformity with the relevant sections of the EC standards listed below.

This statement supersedes any statements previously issued pertaining to the product(s) listed below and is subject to change without notice.

Model No : E56Y22VTH2040

(Model No. may contain prefix and/or suffix characters)

Catalog No : E56Y22VTH2040

Rework No : N/A

Directives :

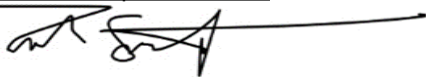
Low Voltage Directive 2014/35/EU

Harmonized Standards Used :

EN 60034-1: 2010 (IEC 60034-1: 2010)

EN 60034-5: 2001/A1:2007 (IEC 60034-5: 2000/A1:2006)

Authorized Representative:



Zach Stauffer  
Vice President, Engineering

Authorized Representative in the Community:



Stefano Casiraghi  
Technology Director, Engineering

Created on 07/08/2025

**CE 25**