

PRODUCT INFORMATION PACKET



Model No: U6T34DR42A

Catalog No: E113897.00

..2HP..3450RPM.56H.DP.230/460V.3PH.60HZ.CONT.40C.1.15SF.RESIL..AUTOMATIC.....

Open Drip Proof (ODP)



Regal and Leeson are trademarks of Regal Beloit Corporation or one of its affiliated companies.

©2018 Regal Beloit Corporation, All Rights Reserved. MC017097E





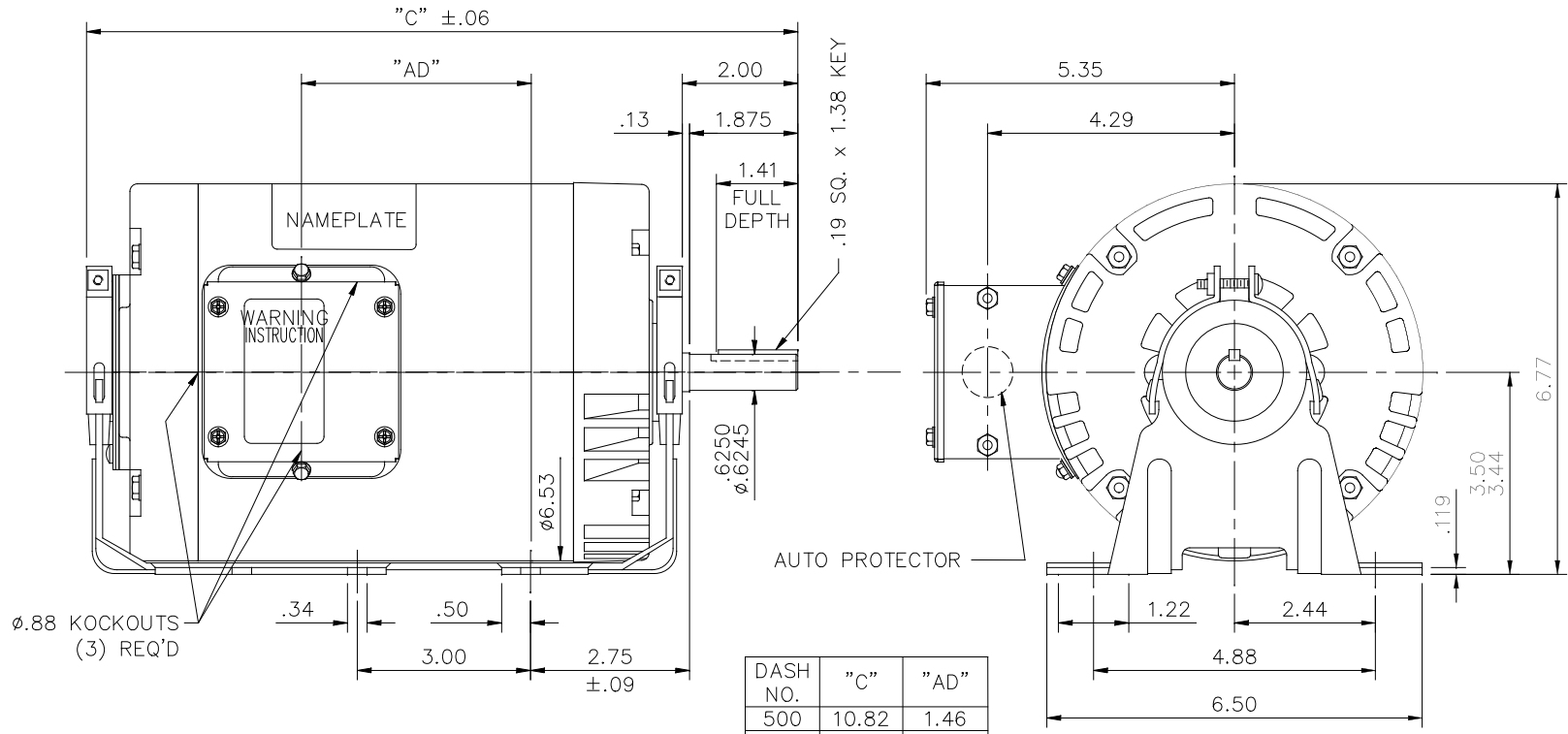
Nameplate Specifications

Output HP	2 Hp	Output KW	1.5 kW
Frequency	60 Hz	Voltage	230/460 V
Current	4.8/2.4 A	Speed	3450 rpm
Service Factor	1.15	Phase	3
Efficiency	85.5 %	Duty	Continuous
Insulation Class	B	Design Code	B
KVA Code	L	Frame	56H
Enclosure	Drip Proof	Overload Protector	Automatic
Ambient Temperature	40 °C	Drive End Bearing Size	6203
Opp Drive End Bearing Size	6203	UL	Recognized
CSA	Y	CE	N
IP Code	22		


Technical Specifications

Electrical Type	Squirrel Cage Induction Run	Starting Method	Across The Line
Poles	2	Rotation	Reversible
Mounting	Resilient Base	Motor Orientation	HORIZONTAL
Drive End Bearing	BALL	Opp Drive End Bearing	BALL
Frame Material	Rolled Steel	Shaft Type	NEMA 56
Overall Length	14.32 in	Frame Length	7.50 in
Shaft Diameter	0.625 in	Shaft Extension	1.88 in
Assembly/Box Mounting	F1 ONLY		
Outline Drawing	607-0266-750	Connection Diagram	005020.02

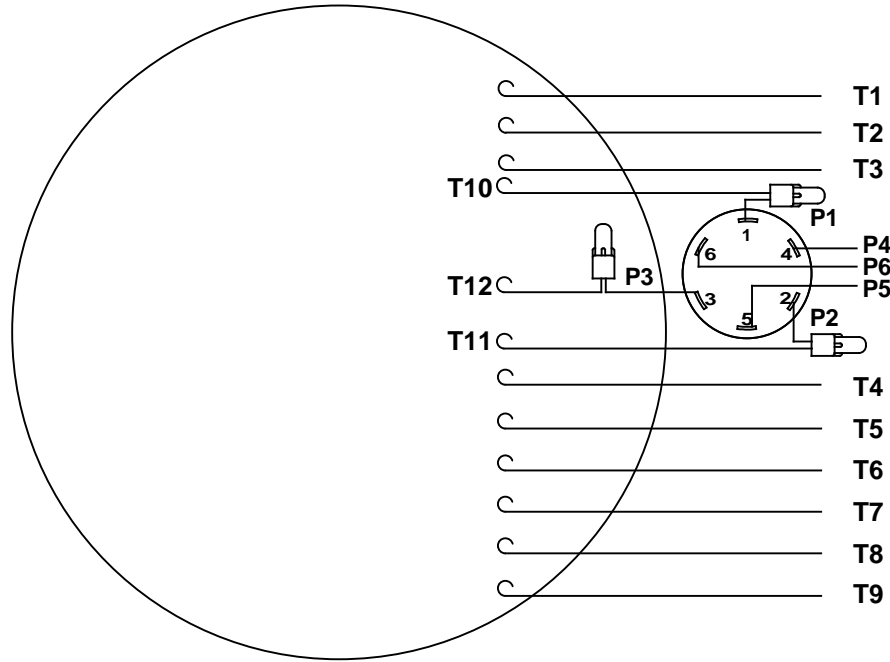
607-0266



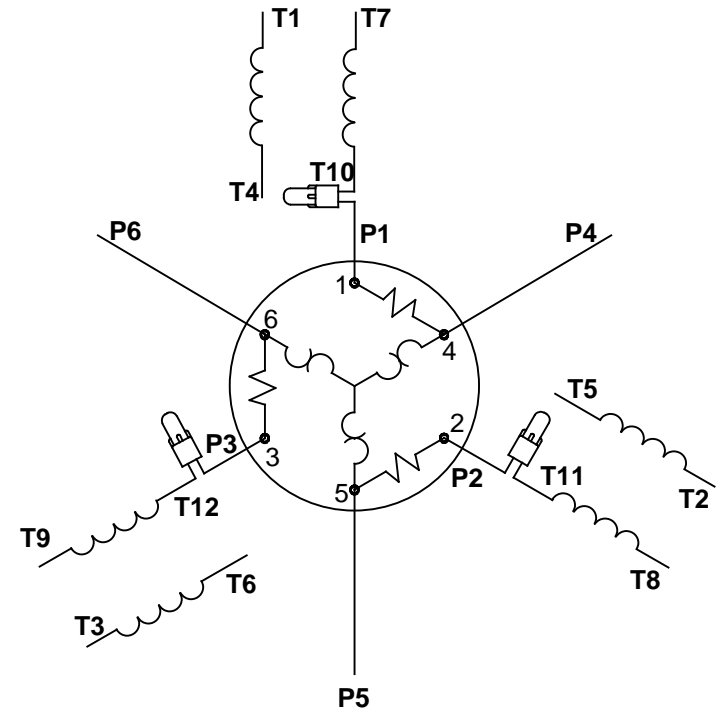
DASH NO.	"C"	"AD"
500	10.82	1.46
550	11.32	1.96
600	11.82	2.46
650	12.32	2.96
700	13.82	3.46
750	14.32	3.96
800	14.82	4.46
850	15.32	4.96

		TOLERANCES UNLESS SPECIFIED		 ELECTRIC MOTORS GEARMOTORS AND DRIVES	DRAWN PK 09/03/16				
		DEC.	INCHES		CHK	APPD			
		.X	±.1	TITLE OUTLINE - 56 FRAME DRIP PROOF - RESILIENT BASE	SCALE	3=8			
B	ADDED DASH # 800 & 850	PK	11/16/16		PK	.XXX	±.005		
A	NEW DRAWING	PK	09/03/16		PK	.XXXX	±.0005		
NO.	REVISION	BY & DATE	CHK	ANG	±1/2'	FINISH	PREV		
THIS DRAWING IN DESIGN AND DETAIL IS OUR PROPERTY AND MUST NOT BE USED EXCEPT IN CONNECTION WITH OUR WORK ALL RIGHTS OF DESIGN AND INVENTION ARE RESERVED THIS IS AN ELECTRONICALLY GENERATED DOCUMENT - DO NOT SCALE THIS PRINT				RFP	CAD FILE	607-0266	SIZE	DRAWING NO.	REV.
				DIST	BRF		A	607-0266	B

VIEW FROM OUTSIDE OF MOTOR AT SWITCH END.




LINE LEADS



RBC PROPRIETARY AND CONFIDENTIAL INFORMATION
 This document is the property of REGAL BELOIT CORPORATION ("RBC") including its subsidiaries and divisions and contains proprietary information of RBC. This document is loaned on the express condition that neither it nor the information contained therein shall be disclosed to others without the express written consent of RBC, and that the information shall be used by the recipient only as approved expressly by RBC. This document shall be returned to RBC upon its request. This document may be subject to certain restrictions under U.S. export control laws and regulations.

VOLTAGE	L1	L2	L3	JOIN	SEPARATE
HIGH	T1	T2	T3	(T4,T7) (T5,T8) (T6,T9)	(P4) (P5) (P6)
LOW	T1,T7	T2,T8	T3,T9	(T4,P4) (T5,P5) (T6,P6)	

		TOLERANCES UNLESS SPECIFIED		 ELECTRIC MOTORS GEARMOTORS AND DRIVES	DRAWN	
		DEC	INCHES		CHK	
		.X	±.1		APPR	
		.XX	±.01		SCALE 1:1	
		.XXX	±.005	TITLE	REF	
02	ADDED REV TO AGREE WITH ORACLE	ARV 4/26/2011	KH	.XXXX ±.0005	MAT'L DECAL - 004023-01	FMF
NO	REVISION	BY & DATE	CHK	ANG ±1/2°	FINISH	PAGE OF
THIRD ANGLE PROJECTION		RFP		PREV	SIZE	DRAWING NO
		NETWORK FILE NAME		00502002	A	005020-02
						REV
						02



P.O. BOX 8003
WAUSAU, WI 54401-8003
PH. 715-675-3311

DATA VOLTS: 460

CERTIFICATION DATA SHEET

CONN. DIAGRAM: 005020.02
OUTLINE: 607-0266-750
WINDING: T632174

CAT #: E113897.00

DR 8

TYPICAL MOTOR PERFORMANCE DATA

HP	KW	SYNC RPM	FL RPM	FRAME	ENCLOSURE	TYPE	KVA CODE	DESIGN	
2	1.5	3600	3511	56H	DP	NA	L	B	
PH	HZ	VOLTS	AMPS	START TYPE	DUTY	INSL	S.F.	AMB	ELEV.
3	60/50	230/460#230/460	4.8/2.485/4/2.7	ACROSS THE LINE	CONT	B	1.15	40	3300
F.L. EFF		87.1	3/4 LD EFF	86.8	1/2 LD EFF	85.5	GTD EFF	ELECT. TYPE	
F.L. PF		88.4	3/4 LD PF	82.1	1/2 LD PF	72.2	0.0	SQ CAGE IND RUN	
F.L. TORQUE		LR AMPS @ 460 V		L.R. TORQUE		B.D. TORQUE		F.L. RISE (°C)	
3.0 LB-FT		26.0		10.8 LB-FT		360%		13.0 LB-FT	
PRESSURE @ 3		POWER		ROTOR WK²		MAX. LOAD WK²		SAFE STALL TIME	
0 DBA		9 DBA		0.08 LB-FT²		0.1 LB-FT²		10 SEC.	
								STARTS/HOUR	
								0	
								MOTOR WGT	
								0 LB.	

*** SUPPLEMENTAL INFORMATION ***

DE BRACKET TYPE	ODE BRACKET TYPE	MOUNT TYPE	MOTOR ORIENTATION	SEVERE DUTY	HAZARDOUS LOCATION	DRIP COVER	SCREENS	PAINT
STANDARD	STANDARD	SILENT BA	HORIZONTAL	NO	NONE	NO	NONE	N - LEESON WATTS
BEARINGS DE	ODE	GREASE	SHAFT TYPE	SPECIAL DE	SPECIAL ODE	SHAFT	MATERIAL	FRAME MATERIAL
BALL 6203	BALL 6203	POLYREX EM	STANDARD 56	NONE	NONE	1144 STRESSPROOF (C-223)	ROLLED STEEL	

THERMOSTATS	PROTECTORS	WDG RTD's	BRG RTD's	THERMISTORS	CONTROL	SPACE HEATERS
NONE	AUTOMATIC	NONE	NONE	NONE	FALSE	NA
R1 (ohms/ph)	R2 (ohms/ph)	X1 (ohms/ph)	X2 (ohms/ph)	Xm (ohms/ph)	VIBRATION (in/sec)	FLOAT
0	0	0	0	0	0.150	ODE

* N O T E S *		INVERTER TORQUE: NONE	
		INV. HP SPEED RANGE: NONE	
		ENCODER: NONE	
		BRAKE: NONE	
		NONE	
		NONE PPR	

DATE: 1/18/2018	FT-LB: NA	VOLTAGE: NONE	HZ: NONE
UL: Y-(LEESON UL REC)			

Data Sheet

Date: 1/18/2018

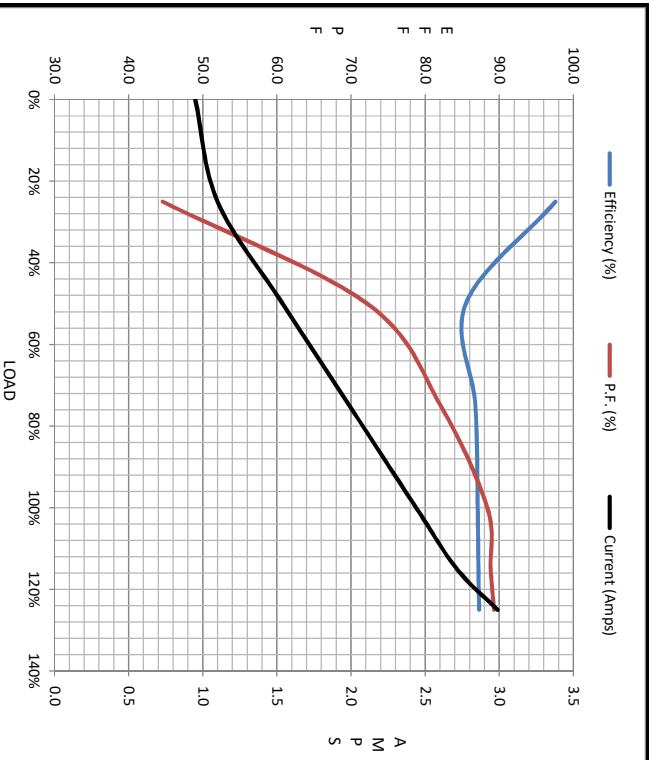
E113897.00



Data @ 460 V

Motor Load Data						
Load	0%	25%	50%	75%	100%	LR
Current (Amps)	0.95	1.10	1.54	1.99	2.44	26.0
Torque (ft-lb)	0.00	0.75	1.50	2.25	3.0	10.8
RPM	3600	3581	3555	3533	3511	0
Efficiency (%)		97.6	85.5	86.8	87.1	87.2
P.F. (%)	16.8	44.6	72.2	82.1	88.4	89.3

Motor Speed Data						Information Block																											
	LR	Pull-Up	BD	Rated	Idle	HP	Sync. RPM	Frame	Enclosure	Construction	Voltage	Frequency	Design	LR Code letter	Service Factor	Temp Rise @ FL	Duty	Ambient	Elevation	Rotor/Shaft wk ²	Ref Wdg	Sound Pressure @ 1M	VFD Rating	Outline Dwg	Conn. Diag	Additional Specifications:	EQUIV CKT (OHMS / PHASE)	R1	R2	X1	X2	Xm	
Speed (RPM)	0	200	2300	3511	3600	2.0	3600	140	DP	NA	230/460#230/460	60	A	L	1.15	46	CONT	40	1,000	0.08	T632174 DR	0	NONE	607-0266-750	005020.02		0.0000	0.0000	0.0000	0.0000	0.0000		
Current (Amps)	26.0	23.9	15.6	2.44	0.95																												
Torque (ft-lb)	10.8	10.5	13.0	3.0	0.00																												



	R1	R2	X1	X2	Xm
0.0000	0.0000	0.0000	0.0000	0.0000	0.0000

