

PRODUCT INFORMATION PACKET



Model No: E113281.00

Catalog No: E113281.00

ecoSaver™ General Purpose Motor, 2 HP, 1 Ph, 60 Hz, 115/208-230 V, 1800 RPM, 56HC Frame, DP



Regal and LEESON are trademarks of Regal Rexnord Corporation or one of its affiliated companies.

©2025 Regal Rexnord Corporation, All Rights Reserved. MC017097E



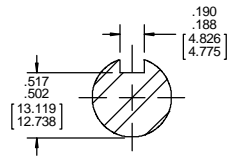
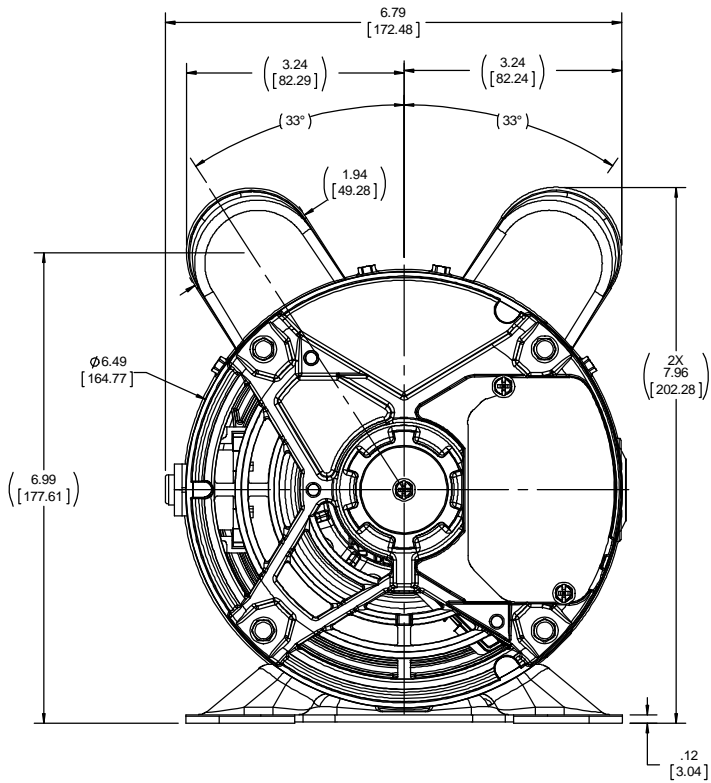


Nameplate Specifications

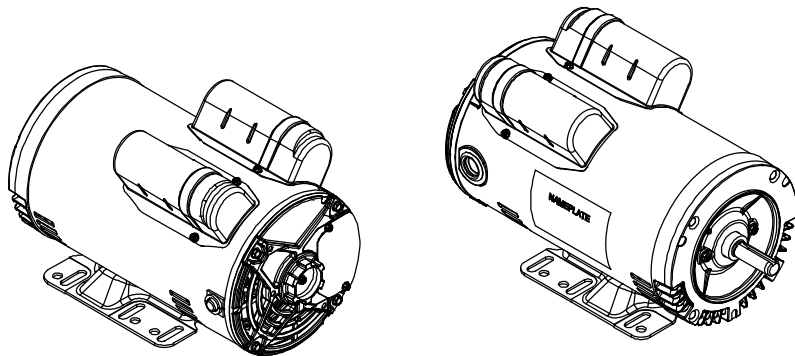
Phase	1	Output HP	2 Hp
Output KW	1.5 kW	Voltage	115/208-230 V
Speed	1725 rpm	Service Factor	1.15
Frame	56HC	Enclosure	Drip Proof
Thermal Protection	Manual	Efficiency	84.5 %
Ambient Temperature	40 °C	Frequency	60 Hz
Current	16.0/8.7-8.0 A	Power Factor	97.7
Duty	Continuous	Insulation Class	B
Design Code	L	KVA Code	J
Drive End Bearing Size	6205	Opp Drive End Bearing Size	6203
UL	Recognized	CSA	Y
CE	Y	IP Code	22
Number of Speeds	1		

Technical Specifications

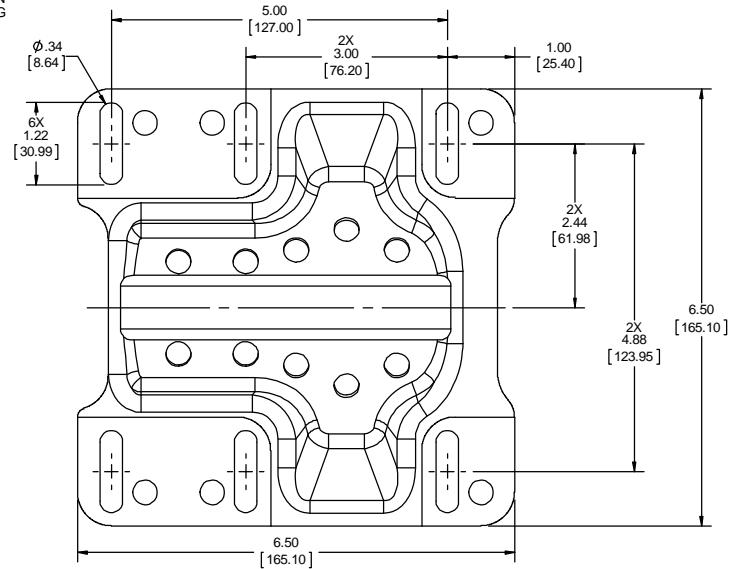
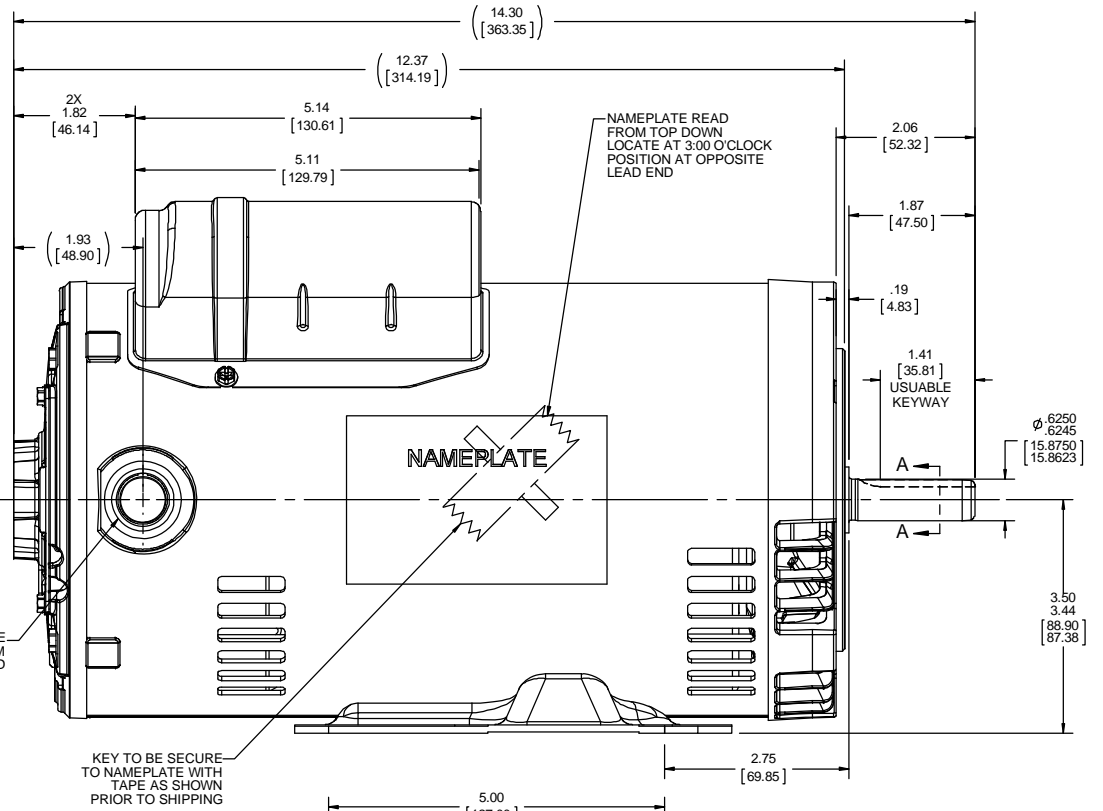
Electrical Type	Capacitor Start Capacitor Run	Starting Method	Across The Line
Poles	4	Rotation	Selective Counterclockwise
Resistance Main	2.54 Ohms	Mounting	Rigid Base
Motor Orientation	Horizontal	Drive End Bearing	Ball
Opp Drive End Bearing	Ball	Frame Material	Rolled Steel
Shaft Type	NEMA 56	Overall Length	14.30 in
Frame Length	10.15 in	Shaft Diameter	0.625 in
Shaft Extension	1.88 in	Assembly/Box Mounting	F1 ONLY
Outline Drawing	OL56100242-001	Connection Drawing	CDBD125



SECTION A-A



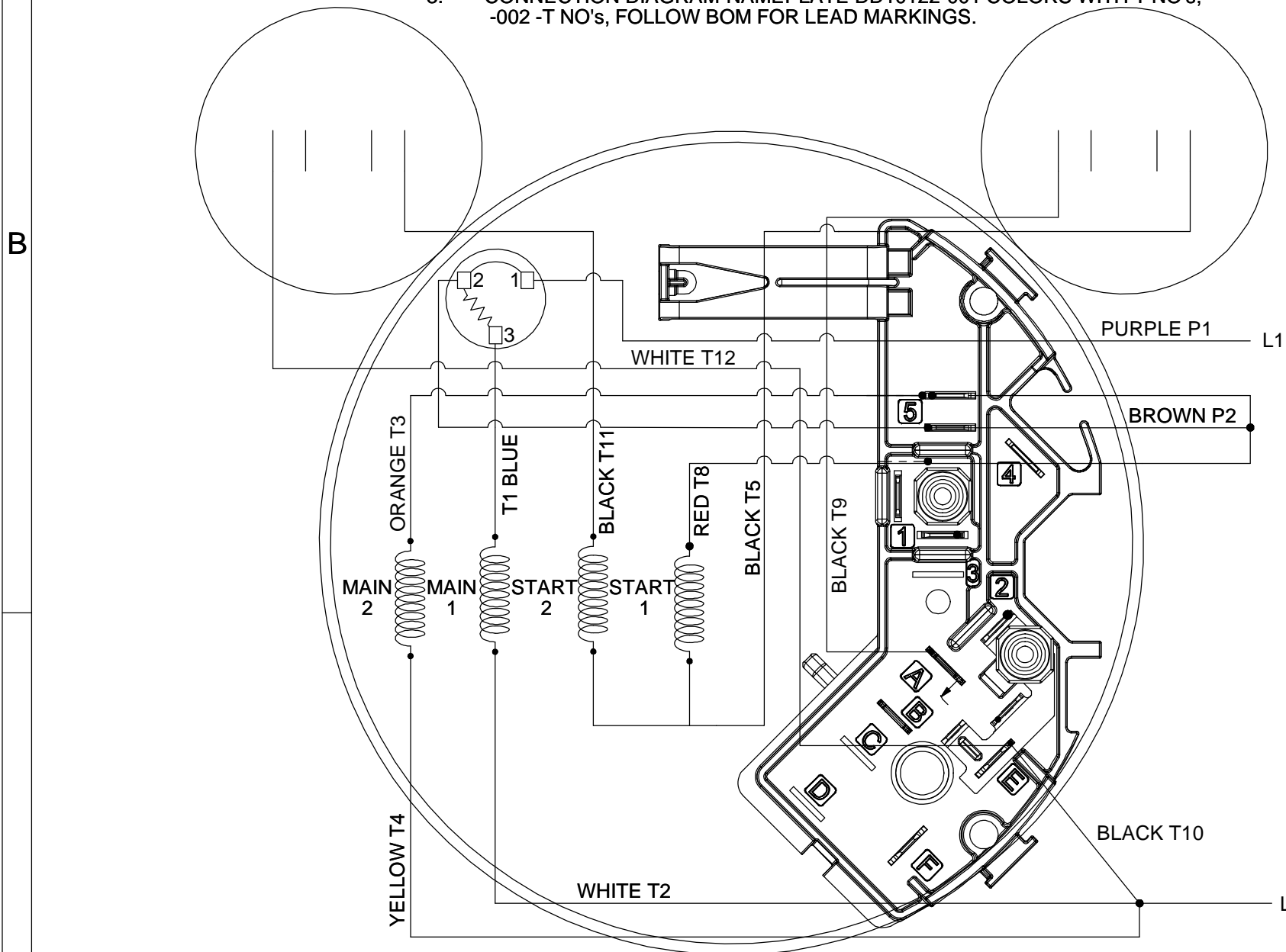
THREADED HOLE
1/2-14 NPSM
PLUGGED



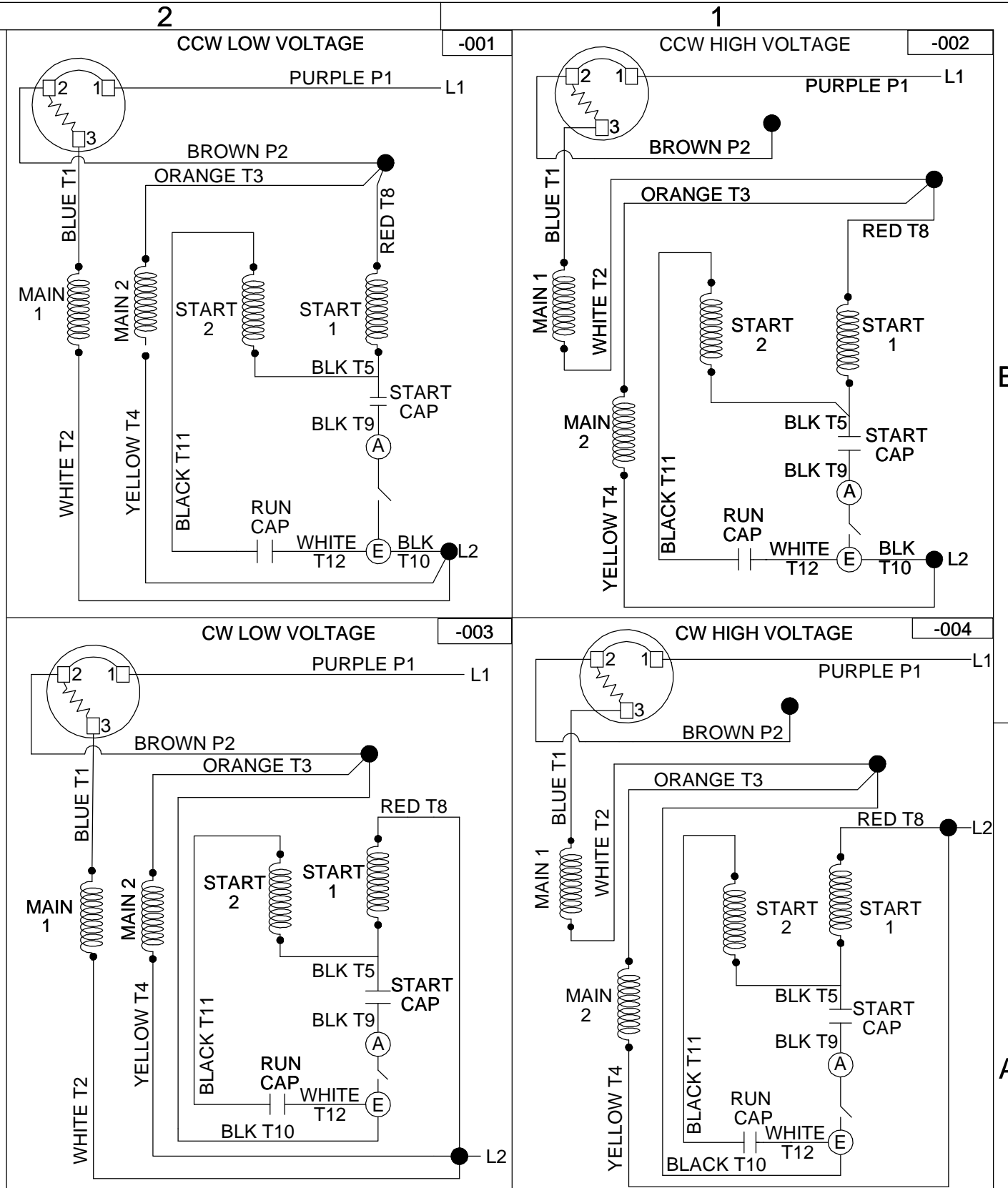
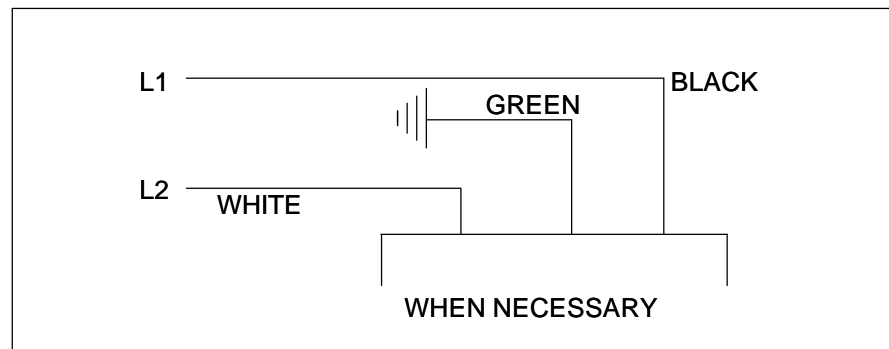
DRAWING REVISION B	REVISION BY KHADHAR	DATE 12/05/2018	TOLERANCES UNLESS OTHERWISE SPECIFIED: DEC. INCH mm ANGLE	DRAWN BY M.RODARTE	Regal Beloit America, Inc.
ECO-0157827	APPROVED BY D.SURYAWANSHI	DATE 12/05/2018	.X ±0.1 [2.5] .XX ±0.03 [0.76] .XXX ±0.005 [0.127] .XXXX ±0.0005 [0.0127]	DATE 03-16-2017	
ECO DESCRIPTION UPDATED MOTOR ASSEMBLY			REMOVE BURRS & BREAK SHARP EDGES: .003/.015 [0.076/.381] X 45° CORNER FILLETS: R.02 [.51]	APPROVED BY M.RODARTE	DESCRIPTION OUTLINE
<small> PROPRIETARY AND CONFIDENTIAL INFORMATION. THIS DOCUMENT IS THE PROPERTY OF REGAL BELOIT AMERICA, INC. OWNERS AND CONTAINS OWNERS PROPRIETARY INFORMATION. ANY PERSON, CORPORATION OR OTHER FIRM RECEIVING IT IS DEEMED BY RECEIVING IT, TO AGREE THAT IT, AND/OR ANY PART OF IT, SHALL NOT BE DISCLOSED TO ANY PERSON, CORPORATION OR OTHER ENTITY, DUPLICATED, AND/OR USED, EXCEPT AS EXPRESSLY APPROVED IN WRITING IN ADVANCE BY OWNER. THIS DOCUMENT SHALL BE RETURNED TO OWNER UPON REQUEST. IT MAY BE SUBJECT TO CERTAIN RESTRICTIONS UNDER APPLICABLE EXPORT CONTROL LAWS AND REGULATIONS. </small>			MACHINED SURFACES: .125 / 32 INCH/ mmv mm SHOWN IN [BRACKETS]	DATE 03-16-2017	56FR,ODP,3-PHASE,RIGID
			THIRD ANGLE PROJECTION	REFERENCE	MATERIAL
			SIZE	DRAWING NUMBER	PROCESS/FINISH
			C	OL56100242-001	
					SHEET 1 OF 1

NOTE:

1. TO REVERSE ROTATION, INTERCHANGE RED T8 & BLACK T10.
2. TERMINAL BOARD ASSY 10003285-001-001
3. CONNECTION DIAGRAM-NAMEPLATE DD10122-001 COLORS WITH T NO's, -002 -T NO's, FOLLOW BOM FOR LEAD MARKINGS.



CCW ROTATION CAP START CAP RUN DUAL VOLTAGE



DRAWING REVISION D	REVISION BY SHESHI	DATE 10/05/18
ECO ECO-0153417	APPROVED BY SM	DATE 10/05/18
ECO DESCRIPTION ADDED CORD DIAGRAM		
<small>COPYRIGHT REGAL BELOIT AMERICA, INC. ALL RIGHTS RESERVED. PROPRIETARY AND CONFIDENTIAL INFORMATION - THIS DOCUMENT IS THE PROPERTY OF REGAL BELOIT AMERICA, INC. ("OWNER") AND CONTAINS OWNER'S PROPRIETARY INFORMATION. ANY PERSON, CORPORATION OR OTHER FIRM RECEIVING IT IS DEEMED, BY RECEIVING IT, TO AGREE THAT IT, AND/OR ANY PART OF IT, SHALL NOT BE DISCLOSED TO ANY PERSON, CORPORATION OR OTHER ENTITY, DUPLICATED, AND/OR USED, EXCEPT AS EXPRESSLY APPROVED IN WRITING IN ADVANCE BY OWNER. THIS DOCUMENT SHALL BE RETURNED TO OWNER UPON REQUEST. IT MAY BE SUBJECT TO CERTAIN RESTRICTIONS UNDER APPLICABLE EXPORT CONTROL LAWS AND REGULATIONS.</small>		

TOLERANCES UNLESS OTHERWISE SPECIFIED:			
DEC.	INCH	mm	ANGLE
.X	±0.1	[±2.5]	±0.5°
.XX	±0.01	[±0.25]	
.XXX	±0.005	[±0.127]	
.XXXX	±0.0005	[±0.0127]	
REMOVE BURRS & BREAK SHARP EDGES: .003/.015 [.076/.381] CORNER FILLETS: .02 [.51] MACHINED SURFACES: 125 INCH/mm 3.2			
mm SHOWN IN [BRACKETS]			

DRAWN BY G. RODRIGUEZ	DATE 11-24-2017
APPROVED BY R. VALENZUELA	DATE 11-24-2017
REFERENCE CDGD102	THIRD ANGLE PROJECTION

Regal Beloit America, Inc.	
DESCRIPTION CONN DIAGRAM-EXTERNAL	
MATERIAL	PROCESS/FINISH
SIZE B	DRAWING NUMBER CDBD125
SHEET 1 OF 1	



**1051 CHEYENNE AVE.
GRAFTON, WI 53024
PH. 262-377-8810**

CATALOG #: E113281.00

CONN. DIAGRAM: CDBD125
OUTLINE: OL56100242-001
WINDING #: NB56464 3 A

MOUNTING: F1 ONLY

TYPICAL MOTOR PERFORMANCE DATA

HP	kW	SYNC. RPM	F.L. RPM	FRAME	ENCLOSURE	KVA CODE	DESIGN
2	1.49	1800	1725	56HC	DP	J	L

PH	Hz	VOLTS	AMPS	START TYPE	DUTY	INSL	S.F.	AMB°C
1	60	115/208-230	16/8.7-8.0	ACROSS THE LINE	CONTINUOUS	B3	1.15	40

FULL LOAD EFF:	84.5	3/4 LOAD EFF:	84.2	1/2 LOAD EFF:	82.3	GTD. EFF		ELEC. TYPE	
FULL LOAD PF:	97.7	3/4 LOAD PF:	96.2	1/2 LOAD PF:	92.2	75.5	CAP START CAP RUN		

F.L. TORQUE	LOCKED ROTOR AMPS	L.R. TORQUE	B.D. TORQUE	F.L. RISE°C
6 LB-FT	126.4 / 63.2	15.12 LB-FT 252.08 %	14.32 LB-FT 238.68 %	90

SOUND PRESSURE @ 3 FT.	SOUND POWER	ROTOR WK^2	MAX. WK^2	SAFE STALL TIME	STARTS / HOUR	APPROX. MOTOR WGT
0 dBA	10 dBA	0 LB-FT^2	0 LB-FT^2	0 SEC.	0	57 LBS.

***** SUPPLEMENTAL INFORMATION *****

DE BRACKET TYPE	ODE BRACKET TYPE	MOUNT TYPE	ORIENTATION	SEVERE DUTY	HAZARDOUS LOCATION	DRIP COVER	SCREENS	PAINT
C-FACE	STANDARD	RIGID	HORIZONTAL	FALSE	NONE	FALSE	NONE	GREEN - LEESON WATTSaver

BEARINGS		GREASE	SHAFT TYPE	SPECIAL DE	SPECIAL ODE	SHAFT MATERIAL	FRAME MATERIAL
DE	ODE						
BALL	BALL	POLYREX EM	STANDARD 56	NONE	NONE	AISI 1215 (MS1000)	ROLLED STEEL
6205	6203						

THERMO-PROTECTORS				THERMISTORS	CONTROL	SPACE HEATERS
THERMOSTATS	PROTECTORS	WDG RTDs	BRG RTDs			
NONE	MANUAL	NONE	NONE	NONE	FALSE	NONE VOLTS

*
N
O
T
E
S
*

INVERTER TORQUE: NONE
INV. HP SPEED RANGE: NONE
ENCODER: NONE NONE NONE NONE NONE PPR
BRAKE: NONE NONE NONE P/N NONE NONE NONE NONE FT-LB NONE V NONE Hz



LEESON ELECTRIC CORPORATION

TYPICAL PERFORMANCE CURVE for AC MOTOR

Model No E113281.00

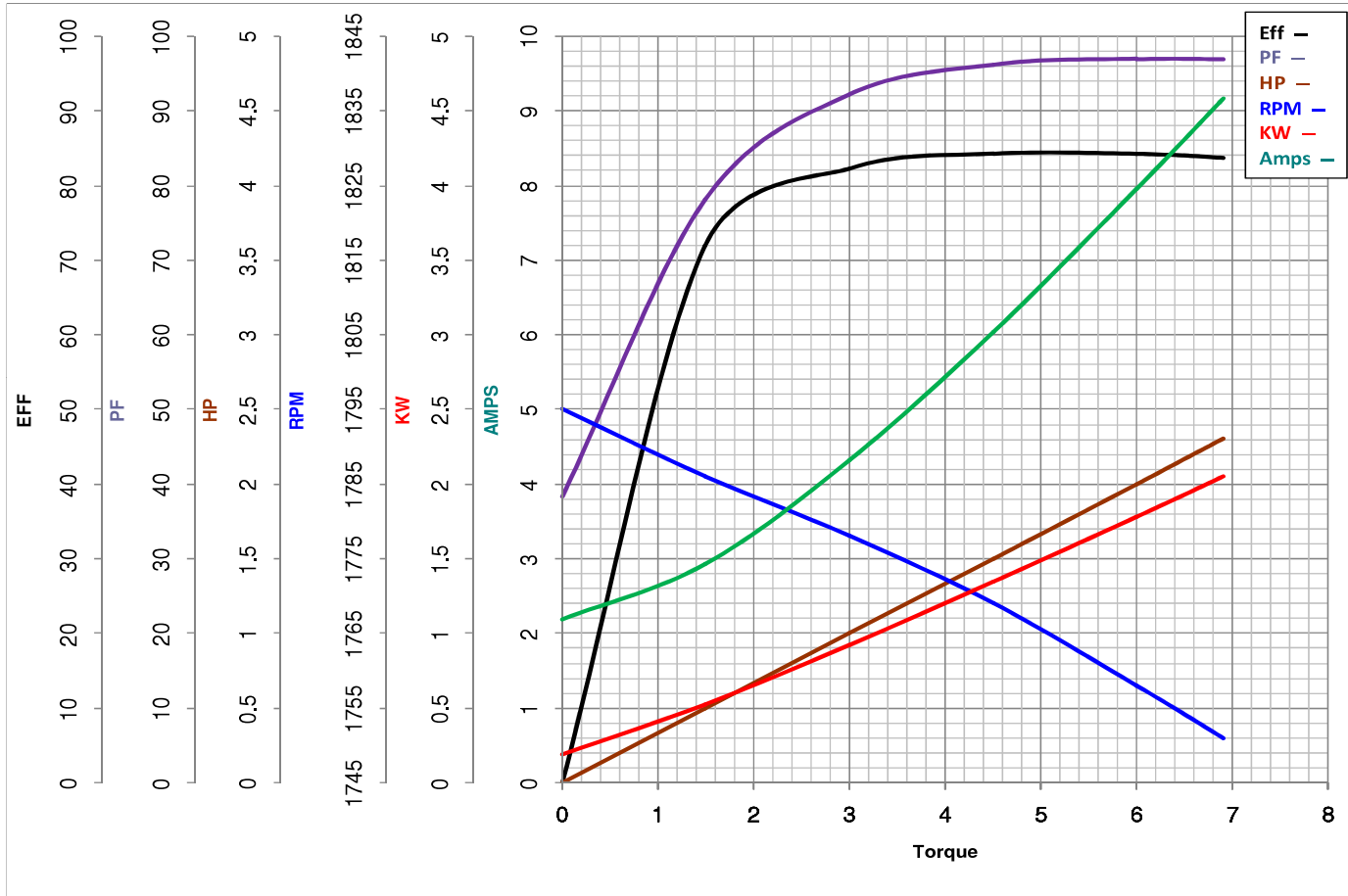
Curve at 230 Volts HP 2.00 PHASE 1
60 HZ
2 HP

VOLTS 115/208-230

Catalog No E113281.00

HZ 60

RPM 1725



Torque in Lb.Ft

FL TORQUE 6 Lb.Ft
 BD TORQUE 14.3 Lb.Ft
 LR TORQUE 15.12 Lb.Ft

FL AMPS 16/8.7-8.0
 PU TORQUE 14.4 Lb.Ft
 LR AMPS 63.2

WINDING NB56464-3

Date 3/11/2019

EC Declaration of Conformity

The undersigned representing
the manufacturer:

Regal Beloit America
1946 West Cook Road
Fort Wayne, IN 46818

and the authorized representative
established within the Community:

Regal Beloit Italy
Via Modena, 18
24040 Ciserano(BG) - Italy

are committed to providing customers with products that comply with applicable regulations and international protocols to which they are subject, including the requirements of the European Parliament Directive on the Harmonization of the laws relating to electrical equipment designed for use within certain voltage limits (2014/35/EU).

Regal Beloit America declares that the following product(s), to which this declaration relates, are in conformity with the relevant sections of the EC standards listed below.

This statement supersedes any statements previously issued pertaining to the product(s) listed below and is subject to change without notice.

Model No : E113281.00

(Model No. may contain prefix and/or suffix characters)

Catalog No : E113281.00

Rework No : N/A

Directives :

Low Voltage Directive 2014/35/EU

Harmonized Standards Used :

EN 60034-1: 2010 (IEC 60034-1: 2010)

EN 60034-5: 2001/A1:2007 (IEC 60034-5: 2000/A1:2006)

Authorized Representative:



Zach Stauffer
Vice President, Engineering

Authorized Representative in the Community:



Stefano Casiraghi
Technology Director, Engineering

Created on 07/08/2025

CE 25