

# PRODUCT INFORMATION PACKET



Model No: A009782.00  
Catalog No: A009782.00  
Agricultural Motor, 1 HP, 1 Ph, 60 Hz, 115/230 V, 1800 RPM, 56H Frame, TEAO



Regal and Leeson are trademarks of Regal Rexnord Corporation or one of its affiliated companies.  
©2023 Regal Rexnord Corporation, All Rights Reserved. MC017097E



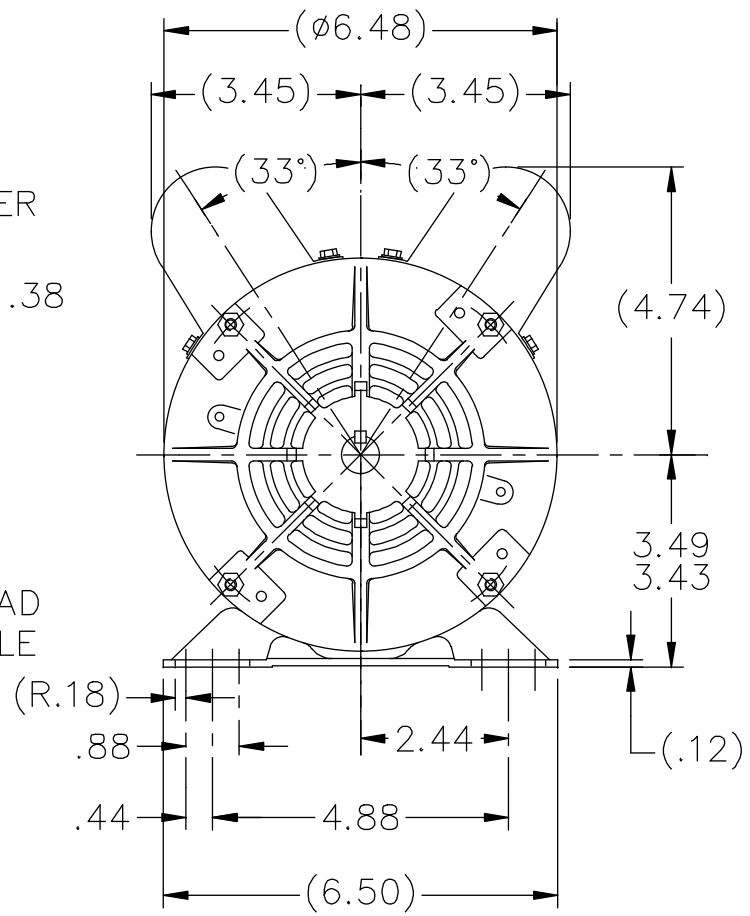
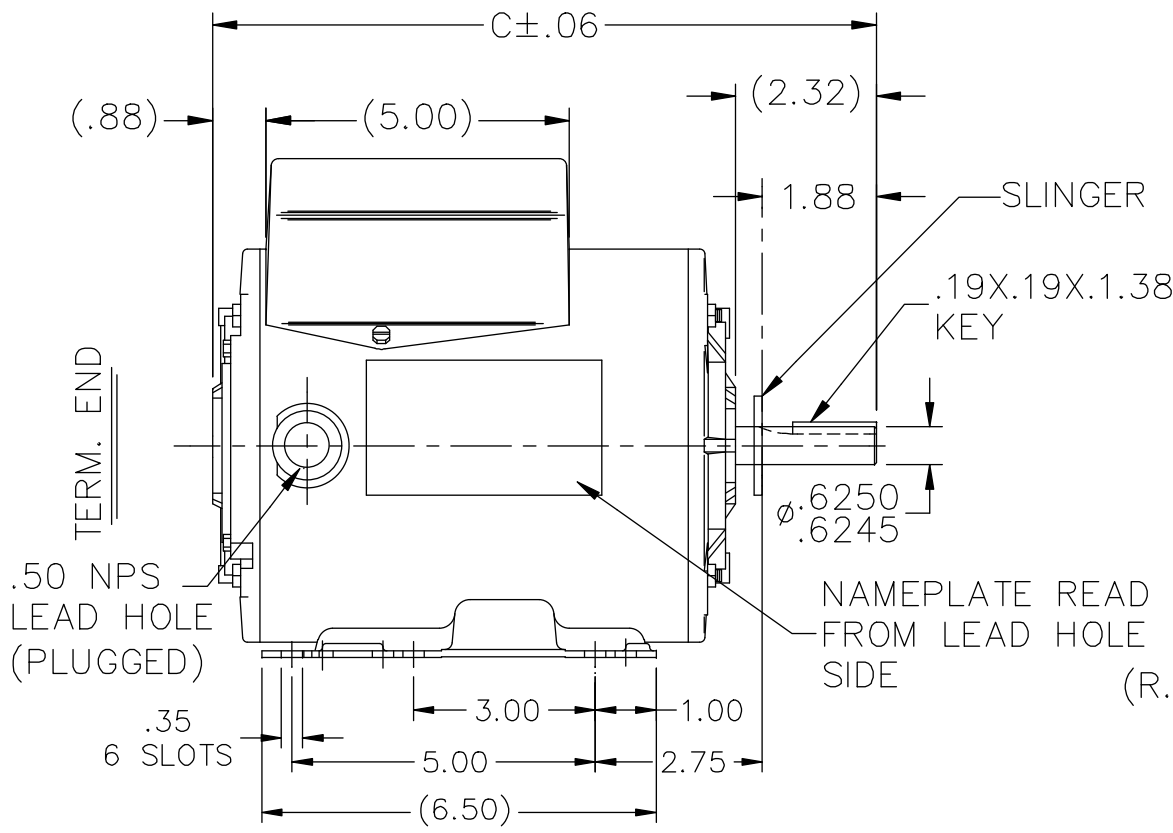


### Nameplate Specifications


Output HP	1 Hp	Output KW	0.75 kW
Frequency	60 Hz	Voltage	115/230 V
Current	8.0/4.0 A	Speed	1725 rpm
Service Factor	1.25	Phase	1
Efficiency	85.5 %	Power Factor	96.2
Duty	Continuous	Insulation Class	B
Design Code	N	KVA Code	G
Frame	56H	Enclosure	Totally Enclosed Air Over
Thermal Protection	Automatic	Ambient Temperature	40 °C
Drive End Bearing Size	6203	Opp Drive End Bearing Size	6203
UL	Recognized	CSA	Y
CE	N	IP Code	43
Number of Speeds	1		

### Technical Specifications

Electrical Type	Capacitor Start Capacitor Run	Starting Method	Across The Line
Poles	4	Rotation	Selective Counterclockwise
Resistance Main	0 Ohms	Mounting	Rigid Base
Motor Orientation	Horizontal	Drive End Bearing	Ball
Opp Drive End Bearing	Ball	Frame Material	Rolled Steel
Shaft Type	NEMA 56	Overall Length	12.44 in
Frame Length	8.56 in	Shaft Diameter	0.625 in
Shaft Extension	1.88 in	Assembly/Box Mounting	F1 ONLY
Outline Drawing	107336LE-856	Connection Drawing	102006-85LE

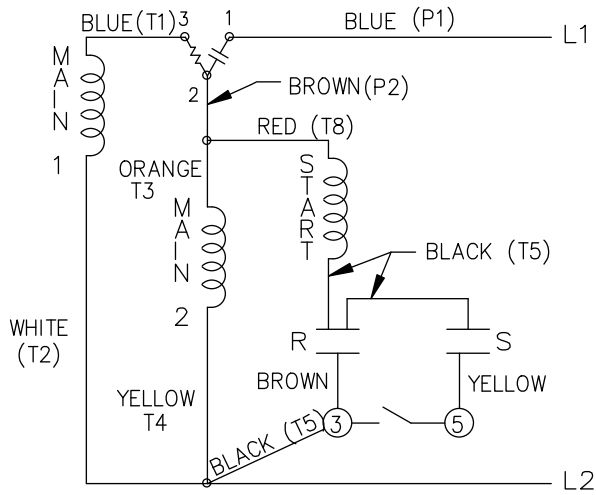


DASH	C	DASH	C
		756	11.44
606	9.94	806	11.94
656	10.44	856	12.44
706	10.94	906	12.94

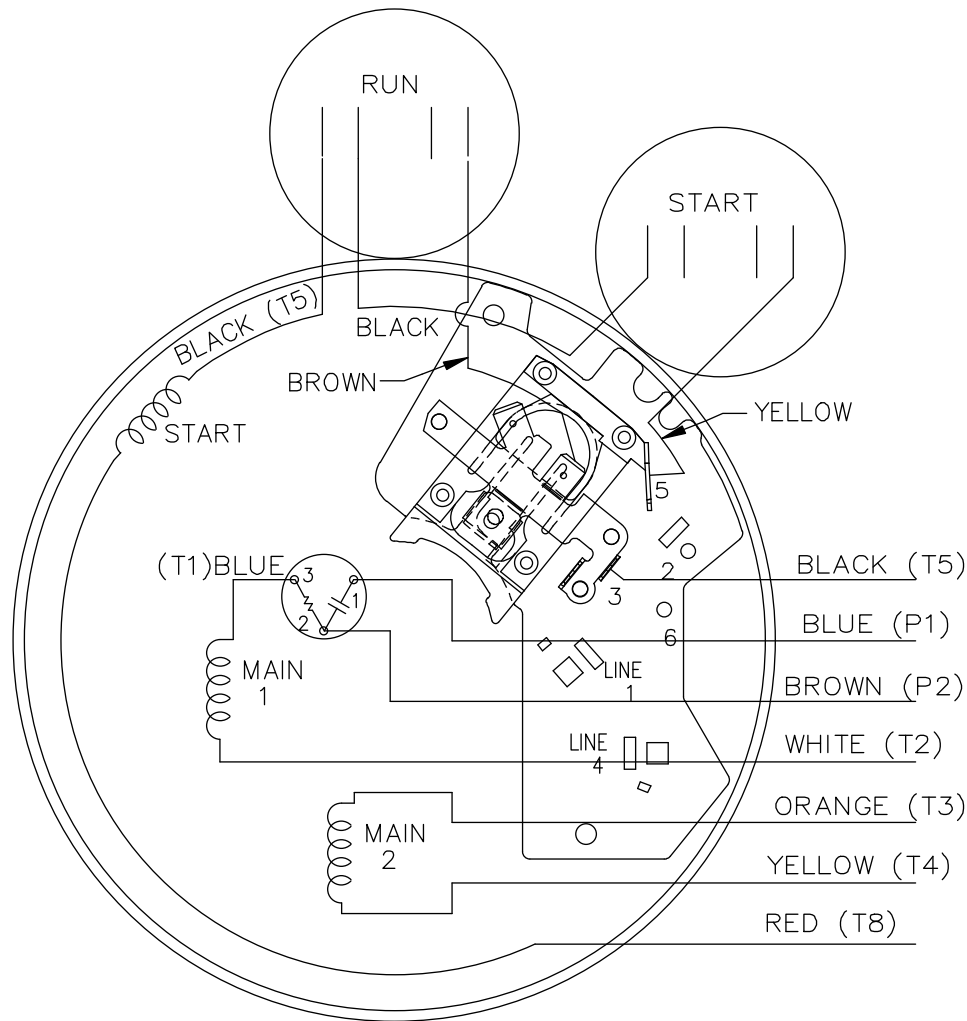
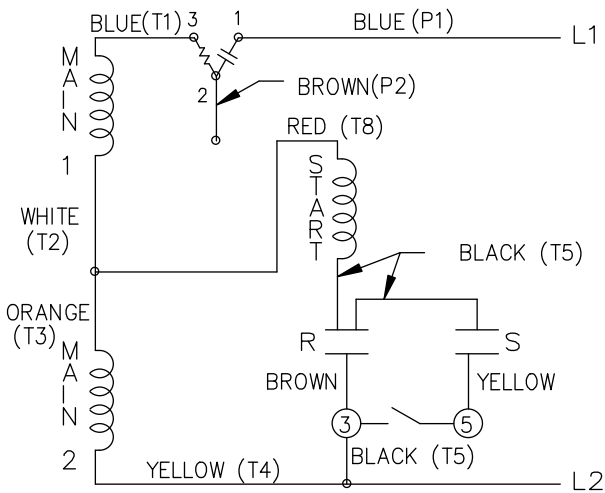
NO.		REVISION	BY & DATE	CHK	ANG	FINISH	TOLERANCES UNLESS SPECIFIED		 ELECTRIC MOTORS GEARMOTORS AND DRIVES	DRAWN NB 10-18-2007			
							DEC.	INCHES		CHK	VL 01-29-2008		
							.X	±.1		APPD	NB 01-29-2008		
							.XX	±.03		SCALE	5=16		
							.XXX	±.005		REF	100588		
							TITLE OUTLINE		ME070145				
							56 FR. - TE - BB		PREV ME070145OL				
							MAT'L.						
							±7'30"						
					RFP	01-29-2008	CAD FILE 107336LE		SIZE	DRAWING NO.	PAGE	OF	REV.
					DIST	WP			A	107336LE			

THIS DRAWING IN DESIGN AND DETAIL IS OUR PROPERTY AND MUST NOT BE USED EXCEPT IN CONNECTION WITH OUR WORK ALL RIGHTS OF DESIGN AND INVENTION ARE RESERVED THIS IS AN ELECTRONICALLY GENERATED DOCUMENT - DO NOT SCALE THIS PRINT

LOW VOLTAGE C.C.W.



HIGH VOLTAGE C.C.W.

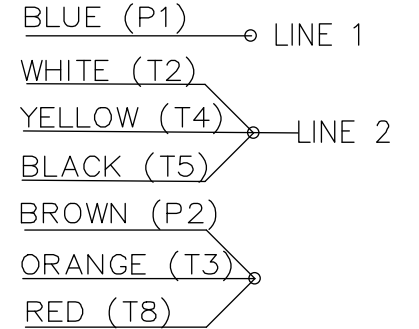


NOTE: USE P & T TERMINALS WHEN CALLED IN BOM

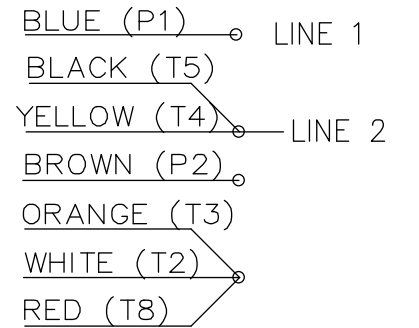
102006-85LE

DUAL VOLTAGE  
CAP. START-CAP. RUN  
OVERLOAD SELECT  
ROTATION.


LOW VOLT. CCW ROT.



HIGH VOLT. CCW ROT.



FOR CW ROT. EITHER  
VOLTAGE INTERCHANGE  
RED(T8) WITH BLACK(T5) LEAD.

				TOLERANCES UNLESS SPECIFIED		 ELECTRIC MOTORS GEARMOTORS AND DRIVES	DRAWN VS 1/28/10
				DEC.	INCHES		CHK
				.X	±.1		APPD VS 1/28/10
				.XX	±.02		SCALE 5=8
				.XXX	±.005		REF 102006-85
01	ADDED P & T TERMINALS	UD 09/27/13	SKM .XXXX	±.0005	MAT'L.		FMF
NO.	REVISION	BY & DATE	CHK ANG	±7'30"	FINISH		PREV
THIS DRAWING IN DESIGN AND DETAIL IS OUR PROPERTY AND MUST NOT BE USED EXCEPT IN CONNECTION WITH OUR WORK ALL RIGHTS OF DESIGN AND INVENTION ARE RESERVED THIS IS AN ELECTRONICALLY GENERATED DOCUMENT - DO NOT SCALE THIS PRINT				RFP	CAD FILE 102006-85LE	SIZE A	DRAWING NO. 102006-85LE
				DIST WP		PAGE OF	REV. 01



**1051 CHEYENNE AVE.  
GRAFTON, WI 53024  
PH. 262-377-8810**

**CERTIFICATION DATA SHEET**

**CONN. DIAGRAM:** A-102006-85LE

**CATALOG #:** A009782.00

**OUTLINE:** A-107336LE-856

**MOUNTING:** F1 ONLY

**WINDING #:** ZB4188 3

**TYPICAL MOTOR PERFORMANCE DATA**

HP	kW	SYNC. RPM	F.L. RPM	FRAME	ENCLOSURE	KVA CODE	DESIGN
1	0.75	1800	1725	56H	TEAO	G	N

PH	Hz	VOLTS	AMPS	START TYPE	DUTY	INSL	S.F.	AMB°C
1	60	115/230	8/4	ACROSS THE LINE	CONTINUOUS	B3	1.25	40

FULL LOAD EFF:	85.5	3/4 LOAD EFF:	85.7	1/2 LOAD EFF:	83.2	GTD. EFF		ELEC. TYPE	
FULL LOAD PF:	96.2	3/4 LOAD PF:	95.6	1/2 LOAD PF:	93.1	82.5		CAP START CAP RUN	

F.L. TORQUE	LOCKED ROTOR AMPS	L.R. TORQUE	B.D. TORQUE	F.L. RISE°C
48.7 OZ-FT	52.2 / 26.1	75 OZ-FT 154 %	112 OZ-FT 230 %	0

SOUND PRESSURE @ 3 FT.	SOUND POWER	ROTOR WK^2	MAX. WK^2	SAFE STALL TIME	STARTS / HOUR	APPROX. MOTOR WGT
0 dBA	10 dBA	0 LB-FT^2	0 LB-FT^2	10 SEC.	0	46 LBS.

**\*\*\* SUPPLEMENTAL INFORMATION \*\*\***

DE BRACKET TYPE	ODE BRACKET TYPE	MOUNT TYPE	ORIENTATION	SEVERE DUTY	HAZARDOUS LOCATION	DRIP COVER	SCREENS	PAINT
STANDARD	STANDARD	RIGID	HORIZONTAL	FALSE	NONE	FALSE	NONE	GRAY - LIGHT

BEARINGS		GREASE	SHAFT TYPE	SPECIAL DE	SPECIAL ODE	SHAFT MATERIAL	FRAME MATERIAL
DE	ODE						
BALL	BALL	POLYREX EM	STANDARD 56	NONE	NONE	1144 STRESSPROOF (C-223)	ROLLED STEEL
6203	6203						

THERMO-PROTECTORS				THERMISTORS	CONTROL	SPACE HEATERS
THERMOSTATS	PROTECTORS	WDG RTDs	BRG RTDs			
NONE	AUT LCK RTR ONLY	NONE	NONE	NONE	FALSE	NONE VOLTS

\*  
N  
O  
T  
E  
S

<b>INVERTER TORQUE:</b> NONE
<b>INV. HP SPEED RANGE:</b> NONE
<b>ENCODER:</b> NONE
NONE NONE
NONE NONE PPR
<b>BRAKE:</b> NONE NONE
NONE P/N NONE
NONE NONE
NONE FT-LB NONE V NONE HZ

