

# PRODUCT INFORMATION PACKET



Model No: E100025.00

Catalog No: E100025.00

ecoSaver™ General Purpose Motor, 0.50 HP, 1 Ph, 60 Hz, 115/230 V, 1800 RPM, S56C Frame, DP



Regal and LEESON are trademarks of Regal Rexnord Corporation or one of its affiliated companies.

©2025 Regal Rexnord Corporation, All Rights Reserved. MC017097E



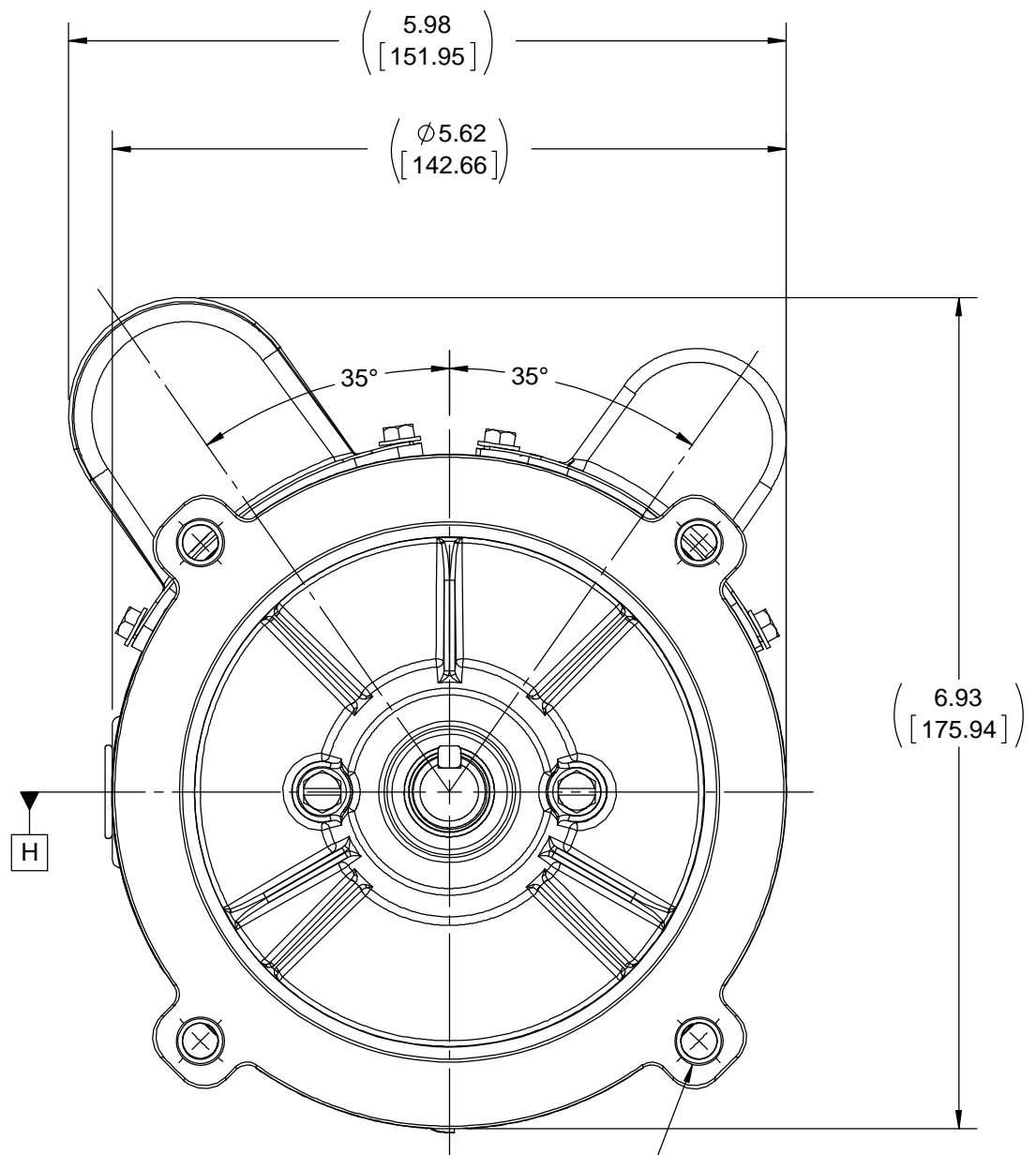
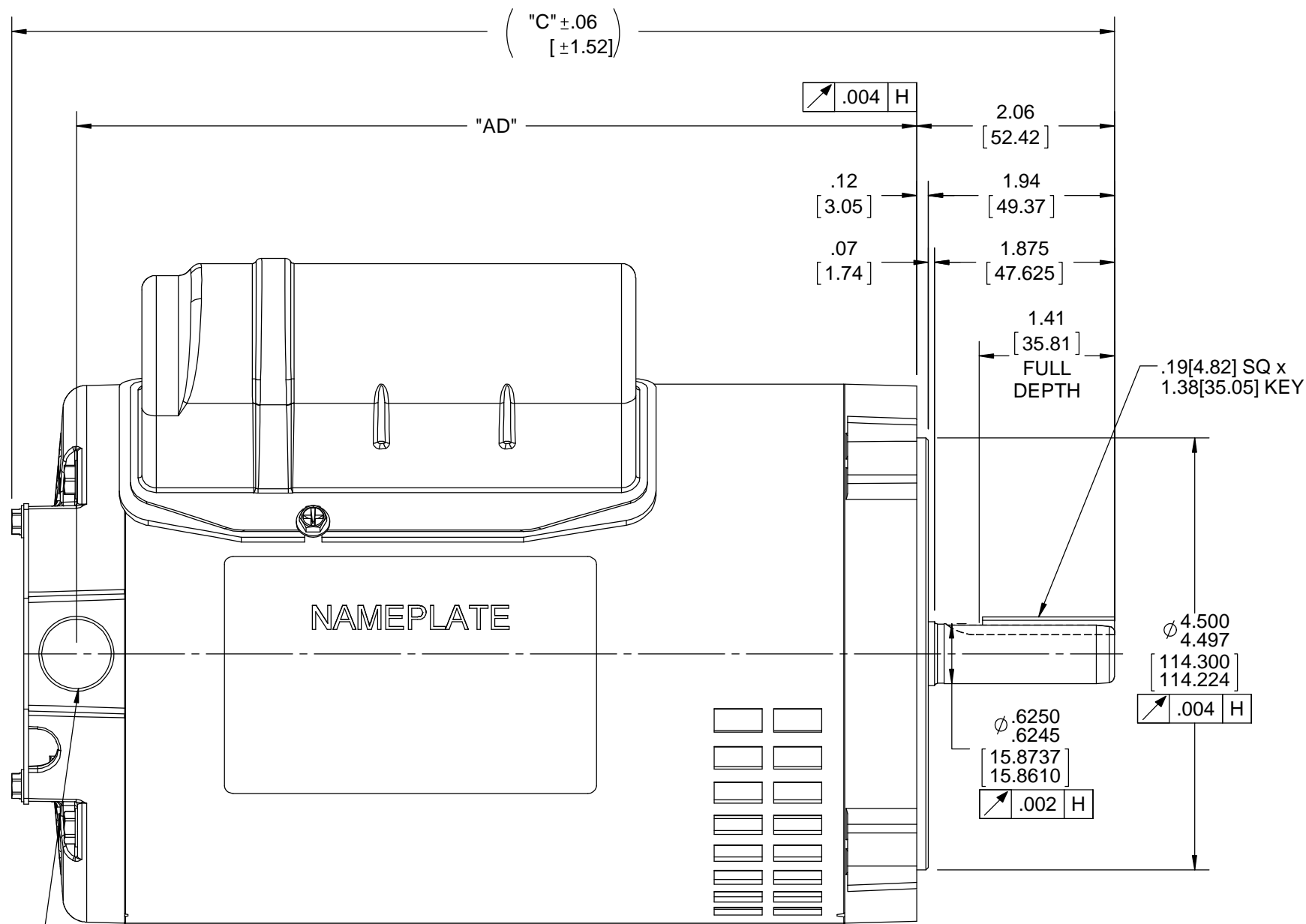


### Nameplate Specifications

Phase	1	Output HP	0.50 Hp
Output KW	0.37 kW	Voltage	115/230 V
Speed	1725 rpm	Service Factor	1.25
Frame	S56C	Enclosure	Drip Proof
Thermal Protection	No Protection	Efficiency	76.2 %
Ambient Temperature	40 °C	Frequency	60 Hz
Current	4.6/2.3 A	Power Factor	91.6
Duty	Continuous	Insulation Class	B
Design Code	N	KVA Code	K
Drive End Bearing Size	6203	Opp Drive End Bearing Size	6203
UL	Recognized	CSA	Y
CE	Y	IP Code	22
Number of Speeds	1		

### Technical Specifications

Electrical Type	Capacitor Start Capacitor Run	Starting Method	Across The Line
Poles	4	Rotation	Selective Counterclockwise
Resistance Main	0 Ohms	Mounting	Round
Motor Orientation	Horizontal	Drive End Bearing	Ball
Opp Drive End Bearing	Ball	Frame Material	Rolled Steel
Shaft Type	NEMA 56	Overall Length	11.49 in
Frame Length	7.50 in	Shaft Diameter	0.625 in
Shaft Extension	1.88 in	Assembly/Box Mounting	F1 ONLY
Connection Drawing	005054-15-REGAL	Outline Drawing	SS404326-750



3/8-16 UNC 2B TAP x .56[14.22] DEEP  
(4) REQ'D. ON A Ø5.875[149.22] B.C.

DASH NO.	"C"	"AD"
750	11.49[291.84]	8.75[222.25]

DRAWING REVISION	REVISION BY	DATE
A		
ECO	APPROVED BY	DATE
ECO-0157933		
ECO DESCRIPTION		
<b>OUTLINE CONVERSION PROJECT</b> COPYRIGHT REGAL BELOIT AMERICA, INC. ALL RIGHTS RESERVED. PROPRIETARY AND CONFIDENTIAL INFORMATION - THIS DOCUMENT IS THE PROPERTY OF REGAL BELOIT AMERICA, INC. ("OWNER") AND CONTAINS OWNER'S PROPRIETARY INFORMATION. ANY PERSON, CORPORATION OR OTHER FIRM RECEIVING IT IS DEEMED, BY RECEIVING IT, TO AGREE THAT IT, AND/OR ANY PART OF IT, SHALL NOT BE DISCLOSED TO ANY PERSON, CORPORATION OR OTHER ENTITY, DUPLICATED, AND/OR USED, EXCEPT AS EXPRESSLY APPROVED IN WRITING IN ADVANCE BY OWNER. THIS DOCUMENT SHALL BE RETURNED TO OWNER UPON REQUEST. IT MAY BE SUBJECT TO CERTAIN RESTRICTIONS UNDER APPLICABLE EXPORT CONTROL LAWS AND REGULATIONS.		

TOLERANCES UNLESS OTHERWISE SPECIFIED:

DEC.	INCH	mm	ANGLE
.X	±0.1	[±2.5]	±0.5°
.XX	±0.03	[±0.76]	
.XXX	±0.005	[±0.127]	
.XXXX	±0.0005	[±0.0127]	

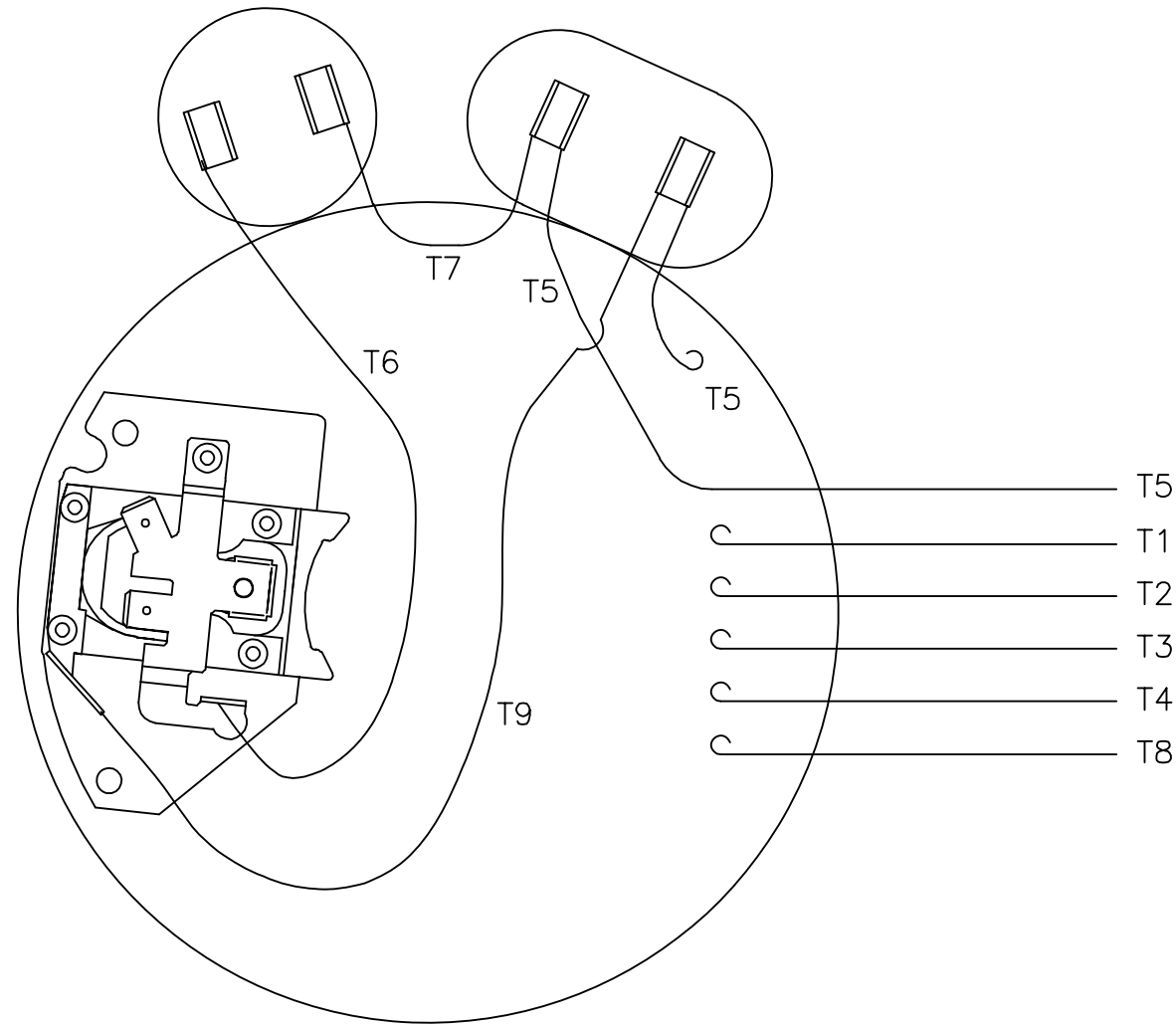
REMOVE BURRS & BREAK SHARP  
 EDGES: .003/.015 [0.076/.381] X 45°  
 CORNER FILLETS: R.02 [0.51]  
 MACHINED SURFACES: 125 3.2  
 INCH mm  
 mm SHOWN IN [BRACKETS]

DRAWN BY	DATE
H. ADIKE	11/20/2018
APPROVED BY	DATE
JD	12/6/2018
REFERENCE	THIRD ANGLE PROJECTION
SS404121	

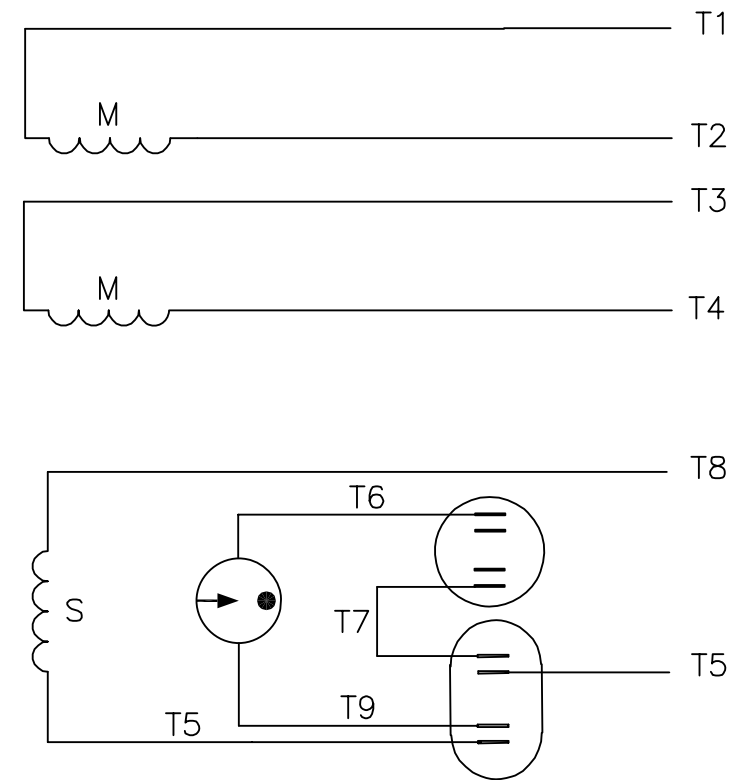
Regal Beloit America, Inc.	
DESCRIPTION	PROCESS/FINISH
<b>OUTLINE</b> S56 FRAME ROUND MOUNT - DRIP PROOF	
MATERIAL	DRAWING NUMBER
	SS404326
SIZE	SHEET
B	1 OF 1

005054-15-REGAL

VIEW FROM OUTSIDE OF MOTOR AT SWITCH END.



LINE LEADS



	ROTATION FACING LEAD END	L1	L2	JOIN
HIGH VOLT	C.C.W.	T1	T4 T5	T2,T3 T8
	C.W.	T1	T4 T8	T2,T3 T5
LOW VOLT	C.C.W.	T1 T3,T8	T2,T4 T5	
	C.W.	T1,T3 T5	T2,T4 T8	

TOLERANCES  
UNLESS SPECIFIED

DEC.	INCHES
.X	±.1
.XX	±.01
.XXX	±.005
.XXXX	±.0005
ANG	±1/2°



Regal Beloit America, Inc.

DRAWN JAH 11/21/14

CHK

APPD

TITLE EXTERNAL WIRING DIAGRAM  
TYPE "K" W/O PROTECTOR

SCALE 1=1

REF 005054-01

MAT'L. DECAL 004012

FMF 102368.00

NO.	REVISION	BY & DATE	CHK	ANG	FINISH

THIS DRAWING IN DESIGN AND DETAIL IS OUR PROPERTY AND MUST NOT BE USED EXCEPT IN CONNECTION WITH OUR WORK ALL RIGHTS OF DESIGN AND INVENTION ARE RESERVED THIS IS AN ELECTRONICALLY GENERATED DOCUMENT - DO NOT SCALE THIS PRINT

RFP  
DIST

CAD FILE 005054-15-REGAL

SIZE

DRAWING NO.

REV.

A 005054-15-REGAL



## EC Declaration of Conformity

The undersigned representing  
the manufacturer:

Regal Beloit America  
1946 West Cook Road  
Fort Wayne, IN 46818

and the authorized representative  
established within the Community:

Regal Beloit Italy  
Via Modena, 18  
24040 Ciserano(BG) - Italy

are committed to providing customers with products that comply with applicable regulations and international protocols to which they are subject, including the requirements of the European Parliament Directive on the Harmonization of the laws relating to electrical equipment designed for use within certain voltage limits (2014/35/EU).

Regal Beloit America declares that the following product(s), to which this declaration relates, are in conformity with the relevant sections of the EC standards listed below.

This statement supersedes any statements previously issued pertaining to the product(s) listed below and is subject to change without notice.

Model No : E100025.00

(Model No. may contain prefix and/or suffix characters)

Catalog No : E100025.00

Rework No : N/A

Directives :

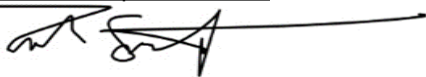
Low Voltage Directive 2014/35/EU

Harmonized Standards Used :

EN 60034-1: 2010 (IEC 60034-1: 2010)

EN 60034-5: 2001/A1:2007 (IEC 60034-5: 2000/A1:2006)

Authorized Representative:



Zach Stauffer  
Vice President, Engineering

Authorized Representative in the Community:



Stefano Casiraghi  
Technology Director, Engineering

Created on 07/08/2025

**CE 25**