

PRODUCT INFORMATION PACKET



Model No: A099946.00
Catalog No: A099946.00
Agricultural Motor, 0.50 HP, 1 Ph, 60 Hz, 115/230 V, 1200 RPM, 48Z Frame, TEAO



Regal and Leeson are trademarks of Regal Rexnord Corporation or one of its affiliated companies.
©2022 Regal Rexnord Corporation, All Rights Reserved. MC017097E



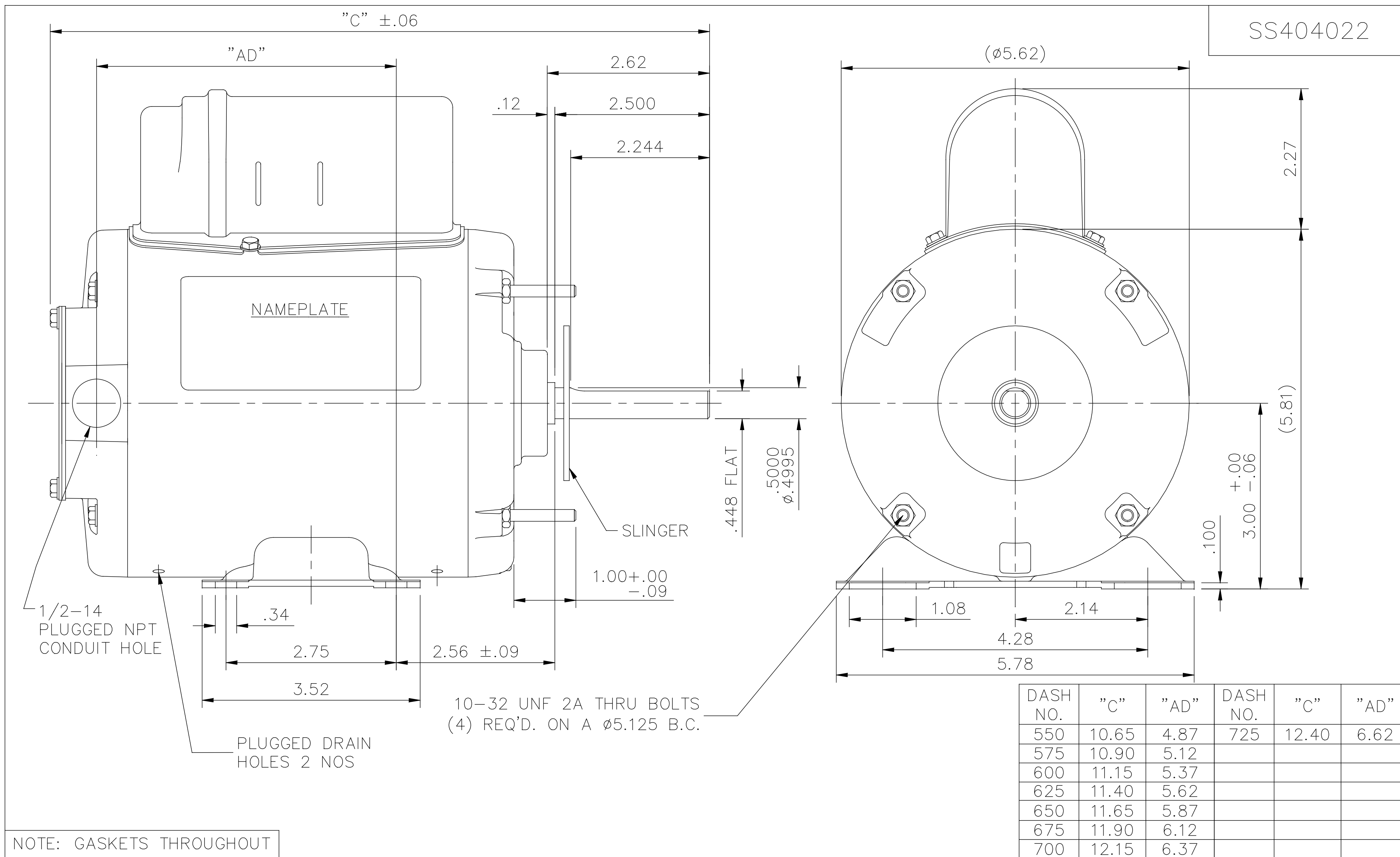


Nameplate Specifications

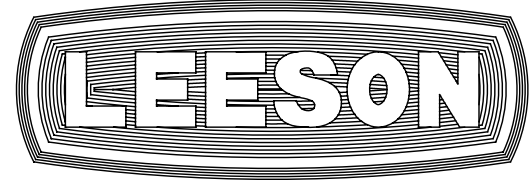
Output HP	0.50 Hp	Output KW	0.37 kW
Frequency	60 Hz	Voltage	115/230 V
Current	4.9/2.5 A	Speed	1075 rpm
Service Factor	1	Phase	1
Efficiency	73.2 %	Power Factor	90.7
Duty	Continuous	Insulation Class	B
Design Code	N	KVA Code	C
Frame	48Z	Enclosure	Totally Enclosed Air Over
Thermal Protection	Automatic	Ambient Temperature	40 °C
Drive End Bearing Size	6203	Opp Drive End Bearing Size	6203
UL	Recognized	CSA	Y
CE	N	IP Code	43
Number of Speeds	1		

Technical Specifications

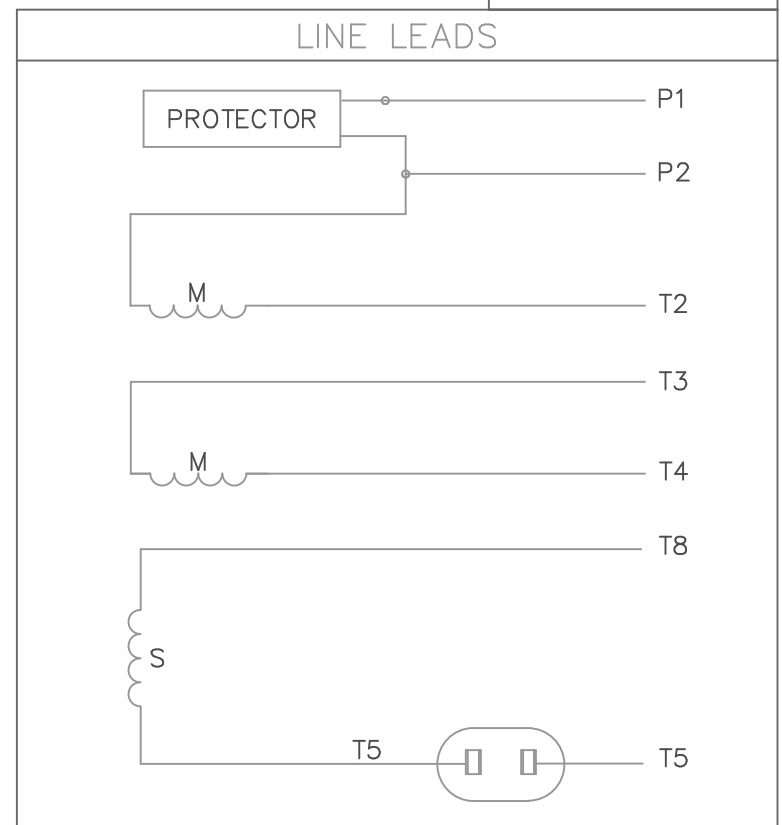
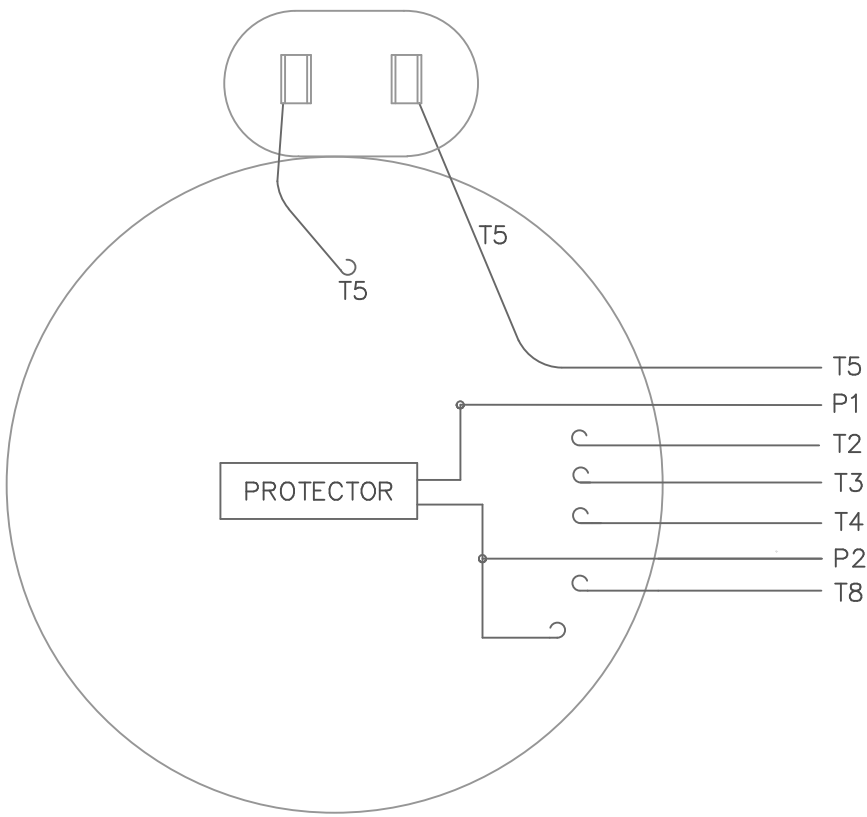
Electrical Type	Permanent Split Capacitor	Starting Method	Across The Line
Poles	6	Rotation	Selective Counterclockwise
Resistance Main	0 Ohms	Mounting	Rigid Base
Motor Orientation	Horizontal	Drive End Bearing	Ball
Opp Drive End Bearing	Ball	Frame Material	Rolled Steel
Shaft Type	Single Special Extension	Overall Length	11.90 in
Frame Length	6.75 in	Shaft Diameter	0.500 in
Shaft Extension	2.24 in	Assembly/Box Mounting	F1 ONLY
Outline Drawing	SS404022-675	Connection Drawing	005109-15




NOTE: GASKETS THROUGHOUT

				TOLERANCES UNLESS SPECIFIED			ELECTRIC MOTORS GEARMOTORS AND DRIVES		DRAWN PST 05-15-2013	
				DEC.	INCHES				CHK	SM 05-15-2013
				.X	±.1			APPD		
				.XX	±.03	TITLE		SCALE 1:1		
				.XXX	±.005	OUTLINE - 48 FRAME RIGID MOUNT - ENCLOSED		REF 031707		
A	THRU BOLT TOL. WAS -.06	ECO-0121907	PST 4/17/17	AP	.XXXX	±.0005	MAT'L.	FMF 103779.00		
NO.	REVISION		BY & DATE	CHK	ANG	±1/2°	FINISH	PREV		
THIS DRAWING IN DESIGN AND DETAIL IS OUR PROPERTY AND MUST NOT BE USED EXCEPT IN CONNECTION WITH OUR WORK ALL RIGHTS OF DESIGN AND INVENTION ARE RESERVED THIS IS AN ELECTRONICALLY GENERATED DOCUMENT - DO NOT SCALE THIS PRINT				RFP	CAD FILE SS404022			SIZE	DRAWING NO. SS404022	
				DIST				A	REV. A	

VIEW FROM OUTSIDE OF MOTOR AT SWITCH END.



	ROTATION FACING LEAD END	L1	L2	JOIN	INSULATE SEPARATELY
HIGH VOLT	C.C.W.	P1	T4 T5	T2, T3 T8	P2
	C.W.	P1	T4 T8	T2, T3 T5	P2
LOW VOLT	C.C.W.	P1	T2, T4 T5	P2, T3 T8	--
	C.W.	P1	T2, T4 T8	P2, T3 T5	--

		TOLERANCES UNLESS SPECIFIED		 ELECTRIC MOTORS GEARMOTORS AND DRIVES		DRAWN PG 3/4/02	
		DEC.	INCHES			CHK	
		.X	±.1			APPD	
		.XX	±.01			SCALE 1=1	
		.XXX	±.005			REF 005109-01	
		.XXXX	±.0005	MAT'L. DECAL - 004011		FMF 102675	
NO.	REVISION	BY & DATE	CHK	ANG ±1/2'	FINISH	PREV	
THIS DRAWING IN DESIGN AND DETAIL IS OUR PROPERTY AND MUST NOT BE USED EXCEPT IN CONNECTION WITH OUR WORK ALL RIGHTS OF DESIGN AND INVENTION ARE RESERVED THIS IS AN ELECTRONICALLY GENERATED DOCUMENT - DO NOT SCALE THIS PRINT			RFP	CAD FILE	00510915	SIZE	DRAWING NO.
			DIST			A	005109-15
							REV.



1051 CHEYENNE AVE.
GRAFTON, WI 53024
PH. 262-377-8810

CERTIFICATION DATA SHEET

CONN. DIAGRAM: A-005109-15
OUTLINE: A-SS404022-675
WINDING #: PE4861812 3

CATALOG #: A099946.00
MOUNTING: F1 ONLY

TYPICAL MOTOR PERFORMANCE DATA

HP	kW	SYNC. RPM	F.L. RPM	FRAME	ENCLOSURE	KVA CODE	DESIGN
1/2	0.37	1200	1075	48Z	TEAO	C	N

PH	Hz	VOLTS	AMPS	START TYPE	DUTY	INSL	S.F.	AMB°C
1	60	115/230	4.9/2.45	ACROSS THE LINE	CONTINUOUS	B3	1.0	40

FULL LOAD EFF:	73.2	3/4 LOAD EFF:	69.9	1/2 LOAD EFF:	61.6	GTD. EFF		ELEC. TYPE	
FULL LOAD PF:	90.7	3/4 LOAD PF:	88.3	1/2 LOAD PF:	83.1	68		PSC 1 SPEED	

F.L. TORQUE	LOCKED ROTOR AMPS	L.R. TORQUE	B.D. TORQUE	F.L. RISE°C
37.6 OZ-FT	16.8 / 8.4	20.2 OZ-FT - %	68.5 OZ-FT - %	0

SOUND PRESSURE @ 3 FT.	SOUND POWER	ROTOR WK^2	MAX. WK^2	SAFE STALL TIME	STARTS / HOUR	APPROX. MOTOR WGT
0 dBA	10 dBA	- LB-FT^2	0 LB-FT^2	0 SEC.	0	26 LBS.

***** SUPPLEMENTAL INFORMATION *****

DE BRACKET TYPE	ODE BRACKET TYPE	MOUNT TYPE	ORIENTATION	SEVERE DUTY	HAZARDOUS LOCATION	DRIP COVER	SCREENS	PAINT
STANDARD	STANDARD	RIGID	HORIZONTAL	FALSE	NONE	FALSE	NONE	GRAY - LIGHT

BEARINGS		GREASE	SHAFT TYPE	SPECIAL DE	SPECIAL ODE	SHAFT MATERIAL	FRAME MATERIAL
DE	ODE						
BALL	BALL	POLYREX EM	SGL SPL EXT	0.500 x 2.50 IN SEF WITH 2.25 IN FULL FLAT	NONE	1144 STRESSPROOF (C-223)	ROLLED STEEL
6203	6203						

THERMO-PROTECTORS				THERMISTORS	CONTROL	SPACE HEATERS
THERMOSTATS	PROTECTORS	WDG RTDs	BRG RTDs			
NONE	AUT LCK RTR ONLY	NONE	NONE	NONE	FALSE	NONE VOLTS

*
N
O
T
E
S
*

INVERTER TORQUE: NONE
INV. HP SPEED RANGE: NONE
ENCODER: NONE NONE NONE NONE NONE PPR
BRAKE: NONE NONE NONE P/N NONE NONE NONE FT-LB NONE V NONE Hz



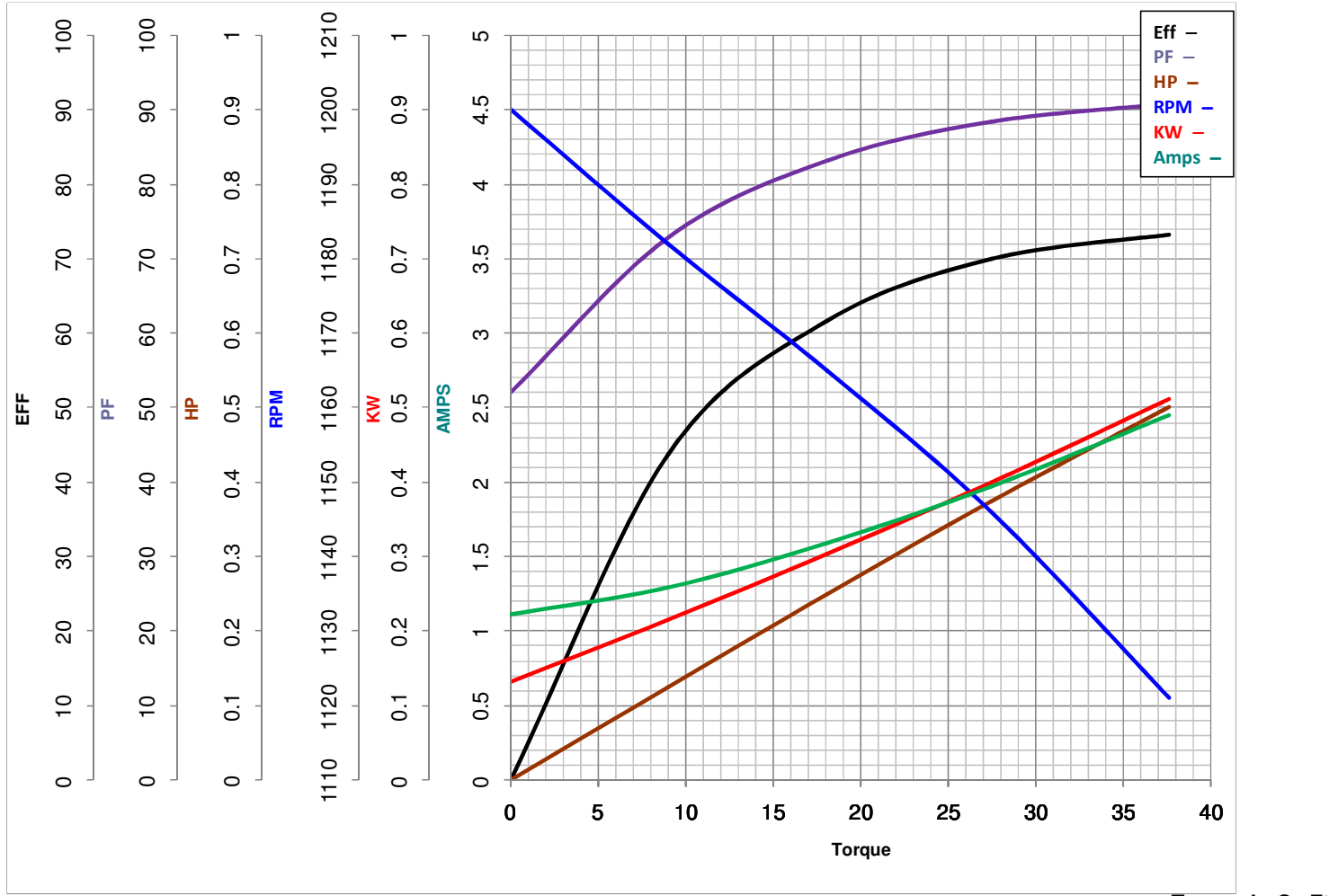
LEESON ELECTRIC CORPORATION
 TYPICAL PERFORMANCE CURVE for AC MOTOR

Model No A099946.00

Curve at 230 Volts HP 0.50 PHASE 1
60 HZ
0.5 HP VOLTS 115/230

Catalog No A099946.00

HZ 60 RPM 1075



FL TORQUE	<u>37.6</u>	Oz.Ft	FL AMPS	<u>4.9/2.45</u>	
BD TORQUE	<u>68.5</u>	Oz.Ft	PU TORQUE	<u>19.6</u>	Oz.Ft
LR TORQUE	<u>20.2</u>	Oz.Ft	LR AMPS	<u>8.4</u>	
WINDING	PE4861812-3		Date	3/27/2018	